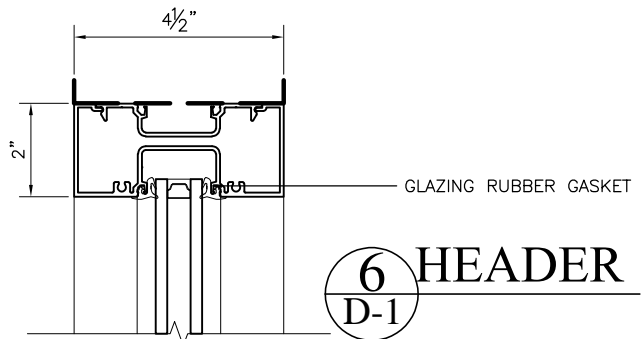
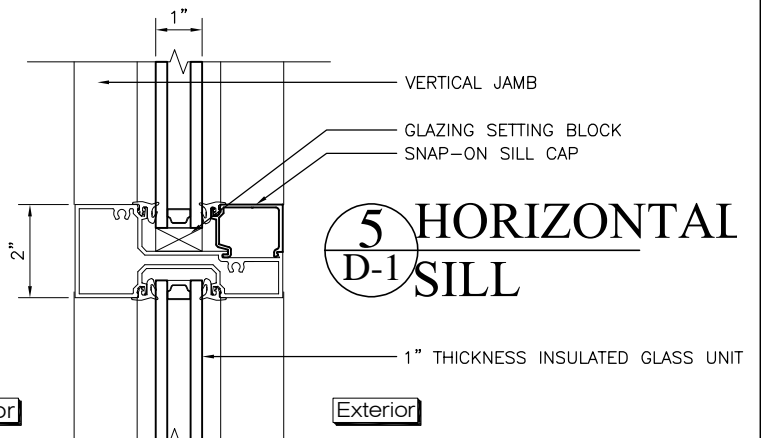


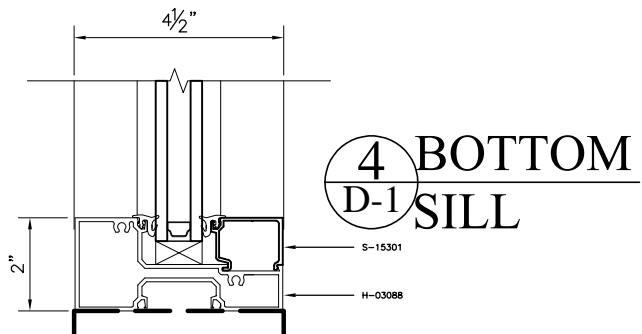
FG451, 2" X 4 1/2" NON-THERMAL FRAME
1" GLAZING SETUP



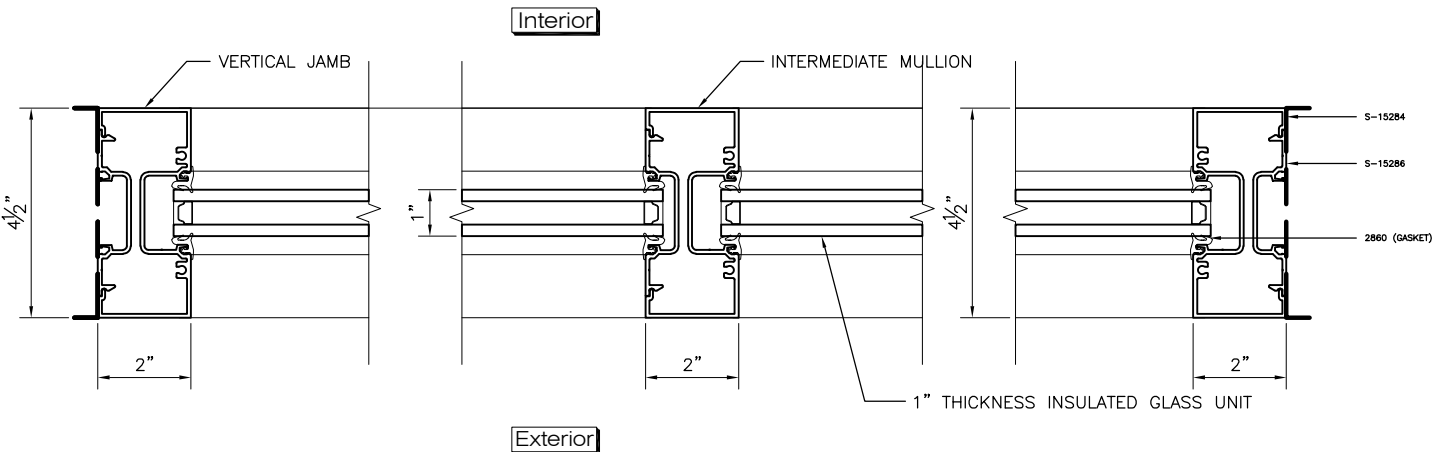
6 HEADER
D-1



5 HORIZONTAL SILL
D-1



4 BOTTOM SILL
D-1



1 VERTICAL JAMB
D-1

2 VERTICAL MULLION
D-1

3 VERTICAL JAMB
D-1



GAMCO CORPORATION
MANUFACTURERS OF FENESTRATION PRODUCTS
131-10 MAPLE AVE. FLUSHING, N.Y. 11355
TEL: (718)359-8833 FAX: (718)359-8661
info@gamcocorp.com www.gamcocorp.com

SCALE: 3" = 1'-0"

VERSION: 001

DATE: 06/05/2026

SHEET #:
FG451-FC-1"
D-1