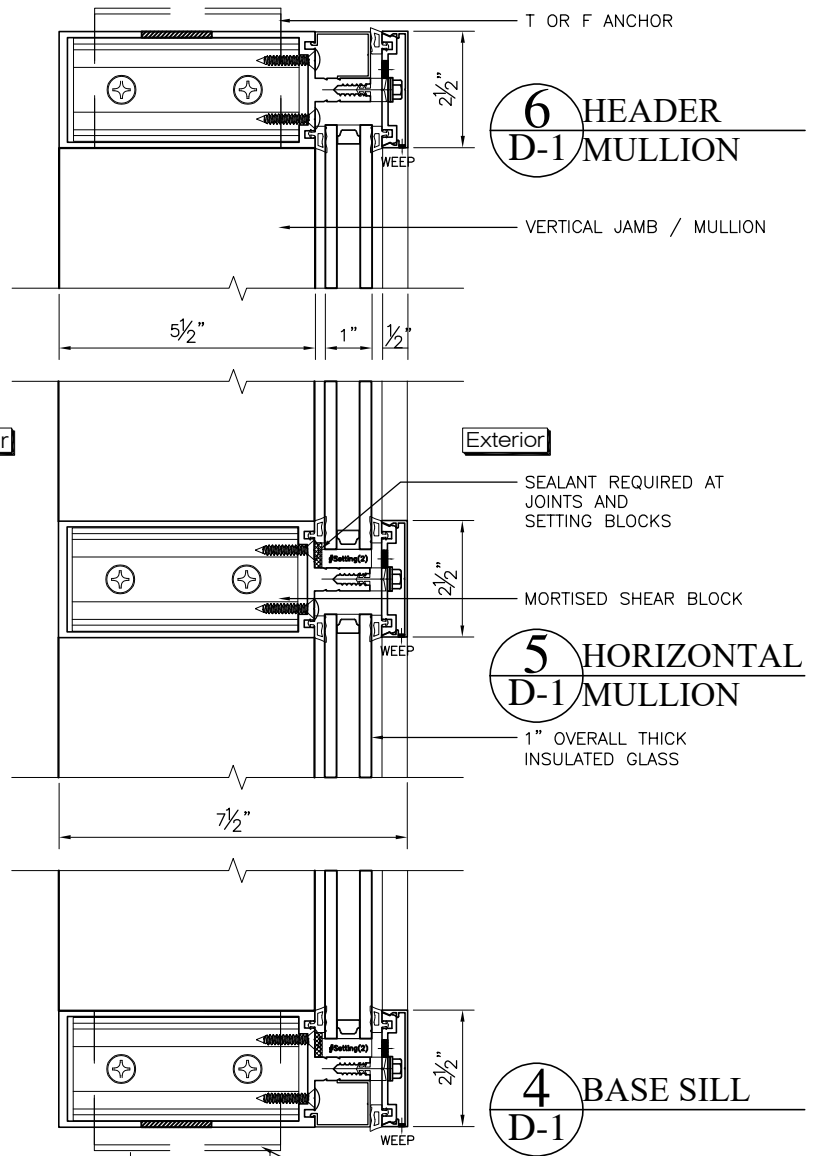


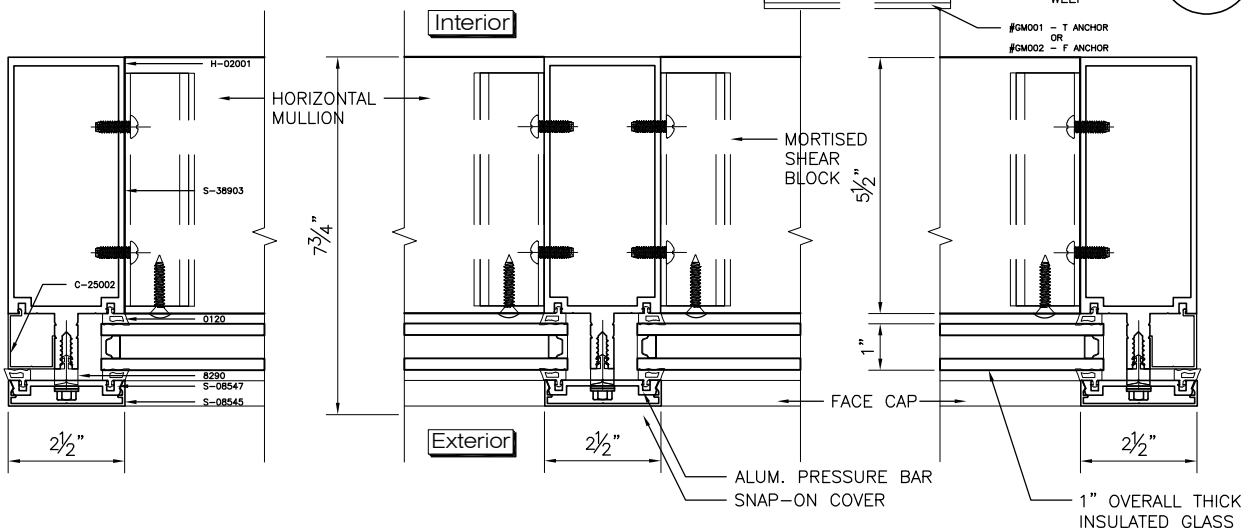
CW250, 2 1/2" X 5 1/2" CURTAIN WALL WITH ALUMINUM PRESSURE BAR 1" GLAZING SETUP



6 HEADER D-1 MULLION

5 HORIZONTAL D-1 MULLION

4 BASE SILL D-1



1 VERTICAL D-1 JAMB

2 VERTICAL D-1 MULLION

3 VERTICAL D-1 JAMB



GAMCO CORPORATION
 MANUFACTURERS OF FENESTRATION PRODUCTS
 131-10 MAPLE AVE. FLUSHING, N.Y. 11355
 TEL: (718)359-8833 FAX: (718)359-8661
 info@gamcocorp.com www.gamcocorp.com

SCALE: 3" = 1'-0"

VERSION: 001

DATE: 04/18/2025

SHEET #:
CW5
D-1