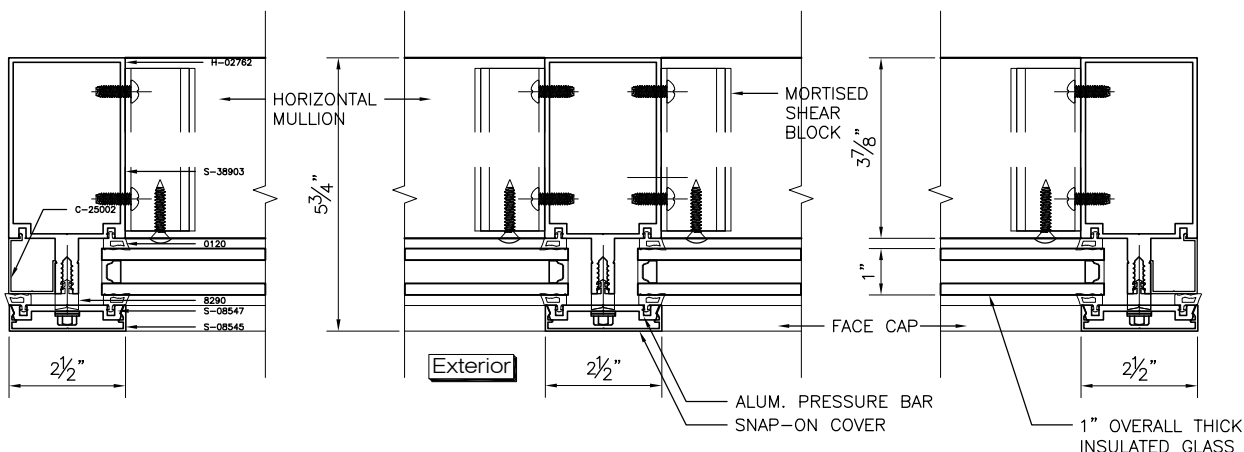
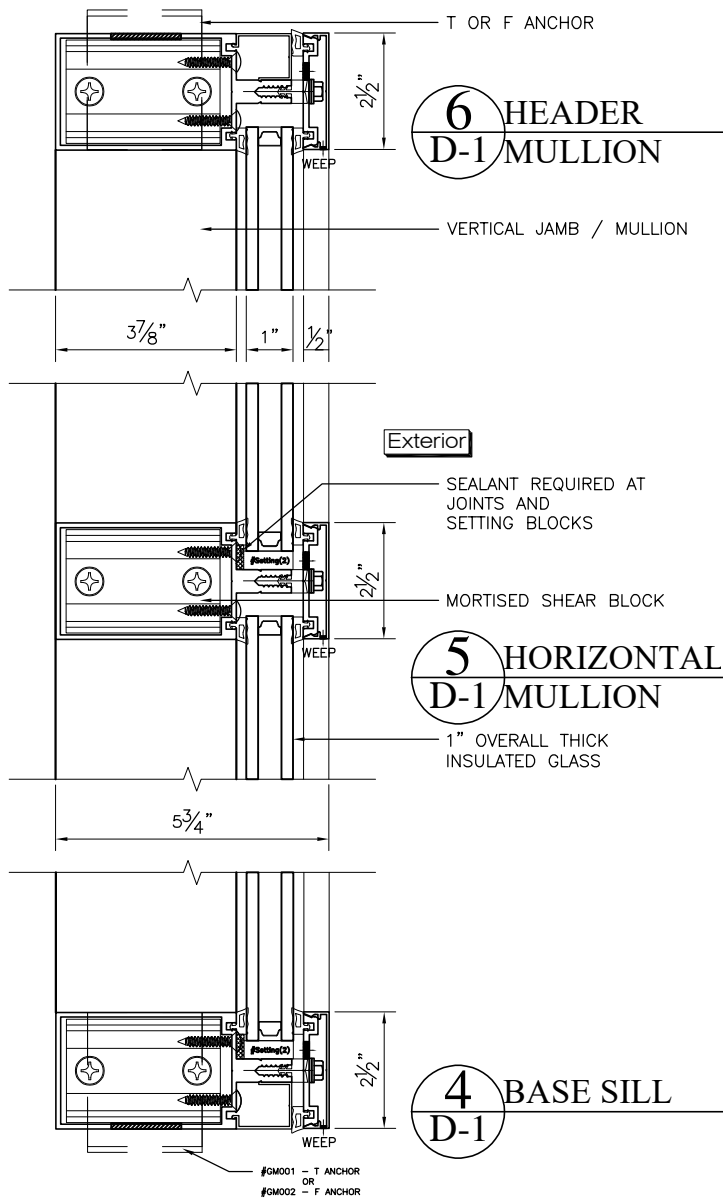


CW250, 2 1/2" X 3 7/8" CURTAIN WALL WITH ALUMINUM PRESSURE BAR 1" GLAZING SETUP



1 VERTICAL D-1 JAMB

2 VERTICAL D-1 MULLION

3 VERTICAL D-1 JAMB



GAMCO CORPORATION  
 MANUFACTURERS OF FENESTRATION PRODUCTS  
 131-10 MAPLE AVE. FLUSHING, N.Y. 11355  
 TEL: (718)359-8833 FAX: (718)359-8661  
 info@gamcocorp.com www.gamcocorp.com

SCALE: 3" = 1'-0"

VERSION: 001

DATE: 06/08/2026

SHEET #:  
 CW3  
 D-1