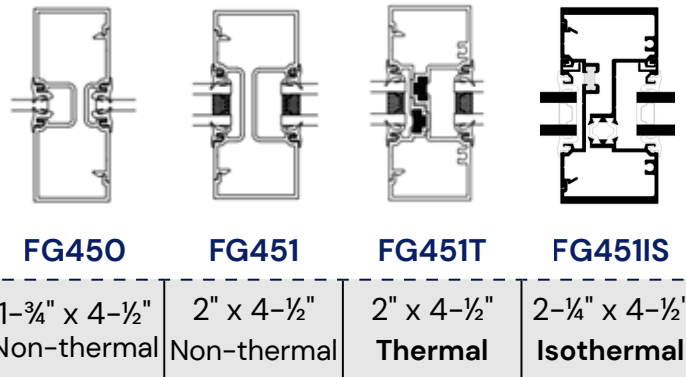


FG-SERIES STOREFRONT SYSTEM

FG450 and FG451 storefront systems are available in shear block and screw spline fabrication. FG450 utilizes 1/4" and up to 1/2" glass, while FG451 utilizes 1" insulated glass.

FG451T features thermal-break designs to reduce heat transfer and keep internal surfaces warmer. FG451T accepts 1" insulated glass.

Utilizing Ensinger Insul-Bar thermal capabilities, our newest **FG451IS Isothermal Frame** enhances your storefront's performance while keeping the sleek GAMCO look you know and love. This option accepts 1" to 1-3/8" glass.



STOCK FINISHES

FG450	FG451	FG451T	FG451IS
Clear Anodized	Clear Anodized	Clear Anodized	Clear Anodized
Dark Bronze Anodized	Dark Bronze Anodized	Dark Bronze Anodized	Black-Painted
White-Painted	White-Painted	White-Painted	
Black-Painted	Black-Painted	Black-Painted	

Cladding or custom finish may be possible upon request. Ask a sales representative for more information.



PERFORMANCE

TYPE		FG450	FG451	FG451T	FG451IS
SIZE (WIDTH X HEIGHT)		10'-6" X 8'-0"	10'-6" X 8'-0"	10'-6" X 8'-0"	117" x 108-1/8"
ASTM E 283-91	Air Infiltration @ 6.24	<0.19 cfm/ft ²	<0.07 cfm/ft ²	<0.17 cfm/ft ²	<0.01 cfm/ft ²
ASTM E 331-93	Water Test Pressure	8.36 psf	12.11 psf	6.06 psf	ASTM E547 12.00 psf
ASTM E 330-96	Uniform Structural Design Pressure (Overload Value)	+30.08 psf -30.08 psf	+45.11 psf -45.11 psf	+37.59 psf -37.59 psf	+45 psf -45 psf
AAMA 507-15	Thermal Simulation (Glass U-Factor 0.24)	N/A	N/A	0.38	0.40
ASTM E90	Acoustical Performance	N/A	STC: 35 OITC: 28	STC: 35 OITC: 28	STC: 38 OITC: 31