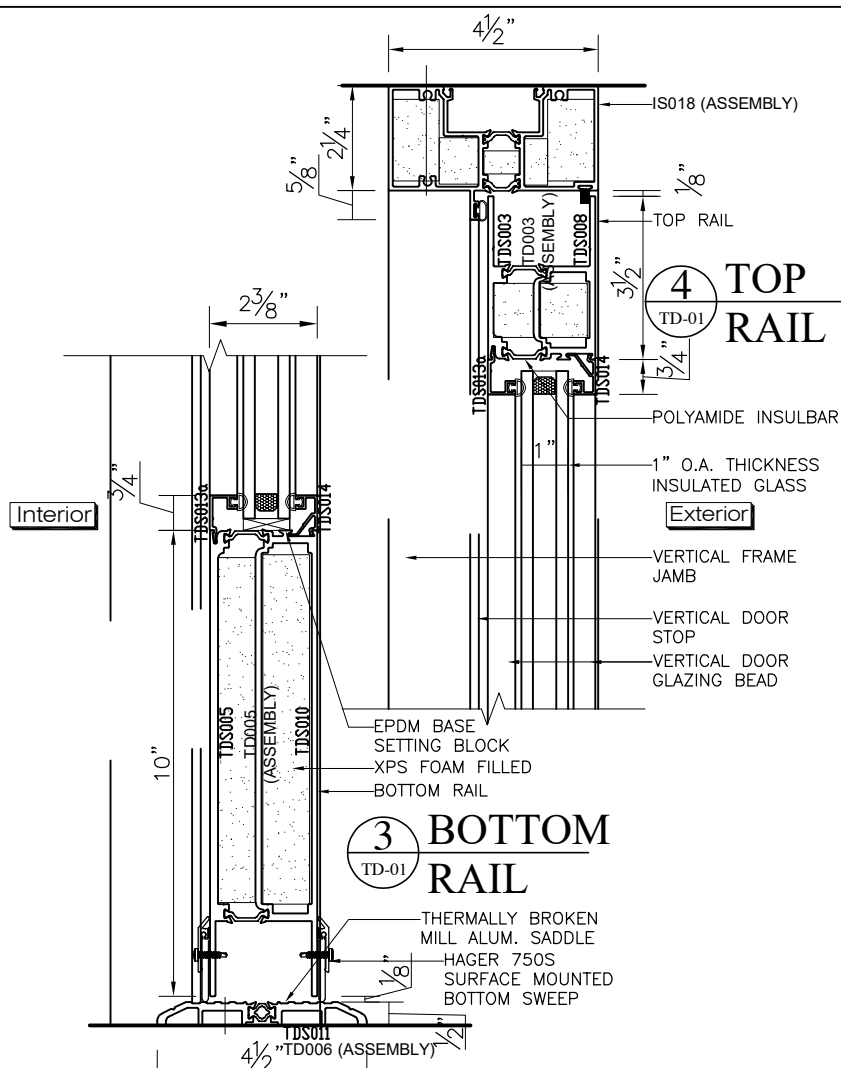


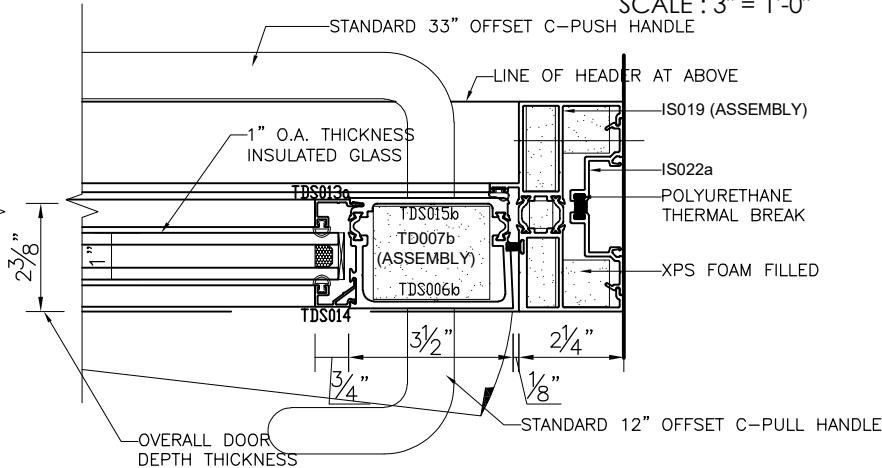
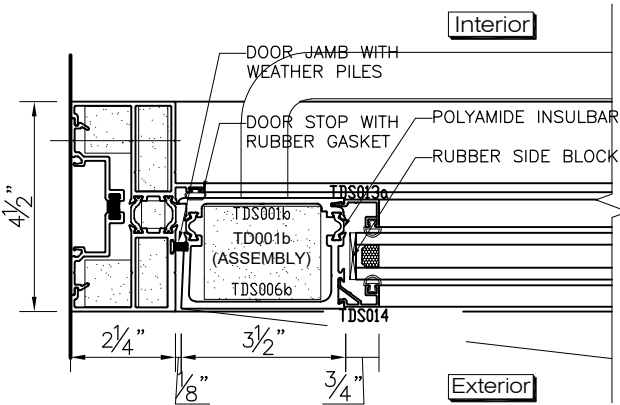
ALUMINUM STOREFRONT ELEVATIONS

SCALE: 3/8" = 1'-0"



VERTICAL SECTIONAL DETAILS

SCALE: 3" = 1'-0"



1 VERTICAL JAMB

2 VERTICAL JAMB

HORIZONTAL SECTIONAL DETAILS

SCALE: 3" = 1'-0"

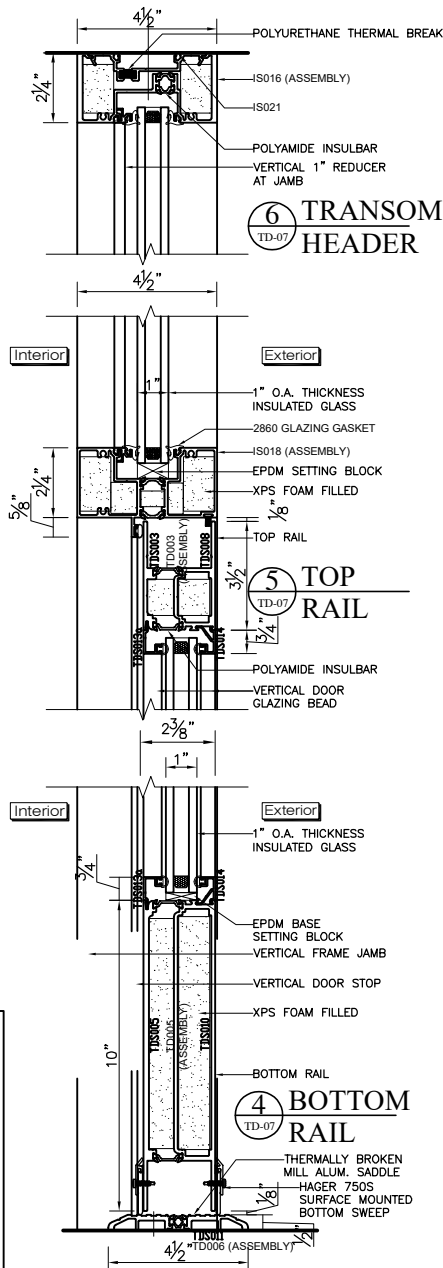
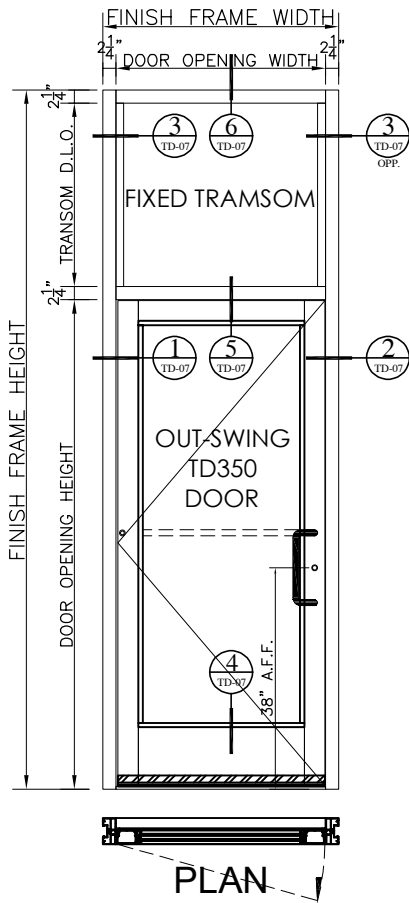


GAMCO CORPORATION
 MANUFACTURERS OF FENESTRATION PRODUCTS
 131-10 MAPLE AVE. FLUSHING, N.Y. 11355
 TEL: (718)359-8833 FAX: (718)359-8661
 info@gamcocorp.com www.gamcocorp.com

SCALE: AS SHOWN VERSION: 001

DATE: 04/22/2026

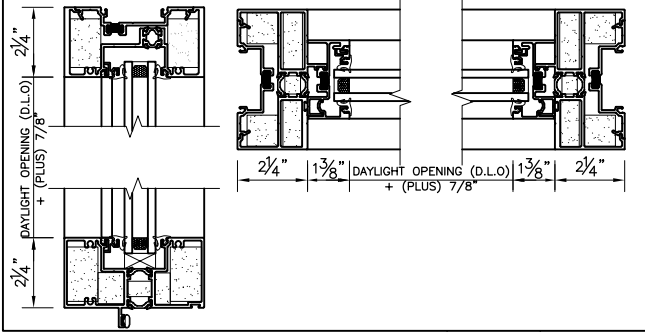
SHEET #:
TD-01
 (TD350+FG45IIS)
 (SINGLE W/FRAME)



ALUMINUM STOREFRONT ELEVATIONS

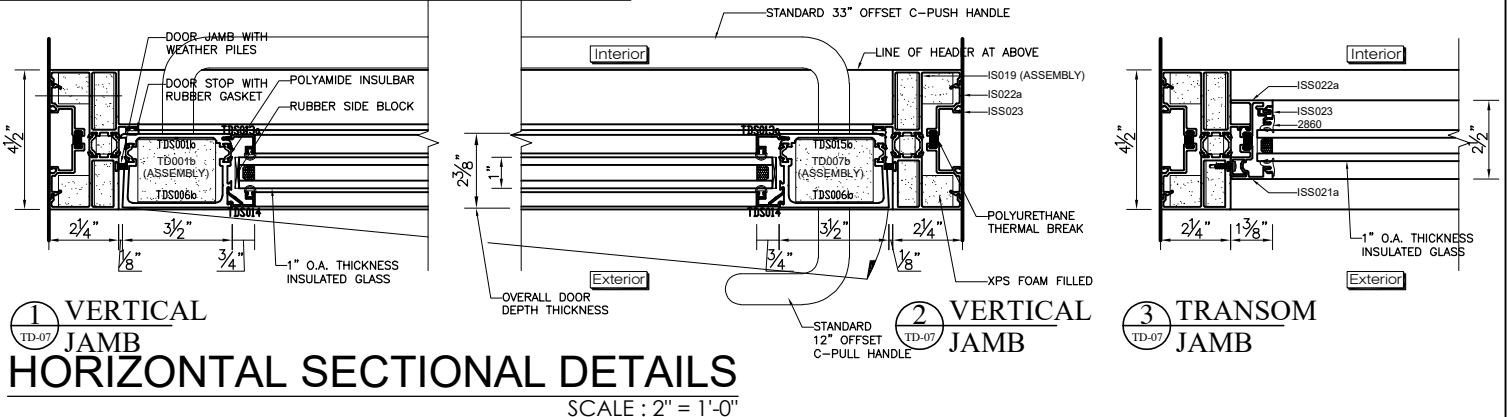
* NOTE: ALL ELEVATIONS SHOWN TO BE VIEW FROM EXTERIOR. SCALE: 3/8" = 1'-0"

Calculate Transom Glass Sizes:



VERTICAL SECTIONAL DETAILS

SCALE: 2" = 1'-0"



1 TD-07
VERTICAL JAMB

HORIZONTAL SECTIONAL DETAILS

SCALE: 2" = 1'-0"



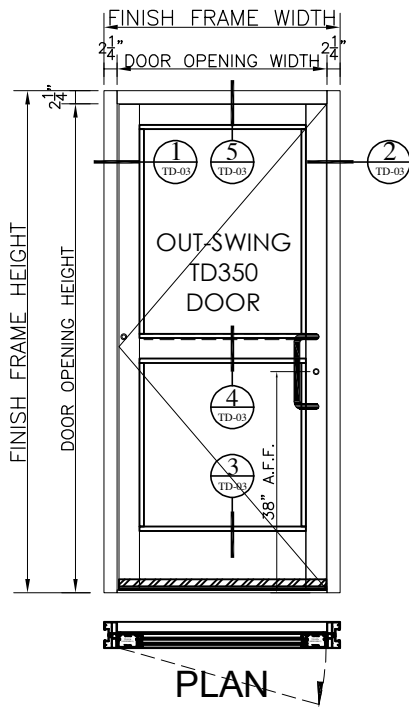
GAMCO CORPORATION
MANUFACTURERS OF FENESTRATION PRODUCTS
131-10 MAPLE AVE. FLUSHING, N.Y. 11355
TEL: (718)359-8833 FAX: (718)359-8661
info@gamccorp.com www.gamccorp.com

SCALE: AS SHOWN

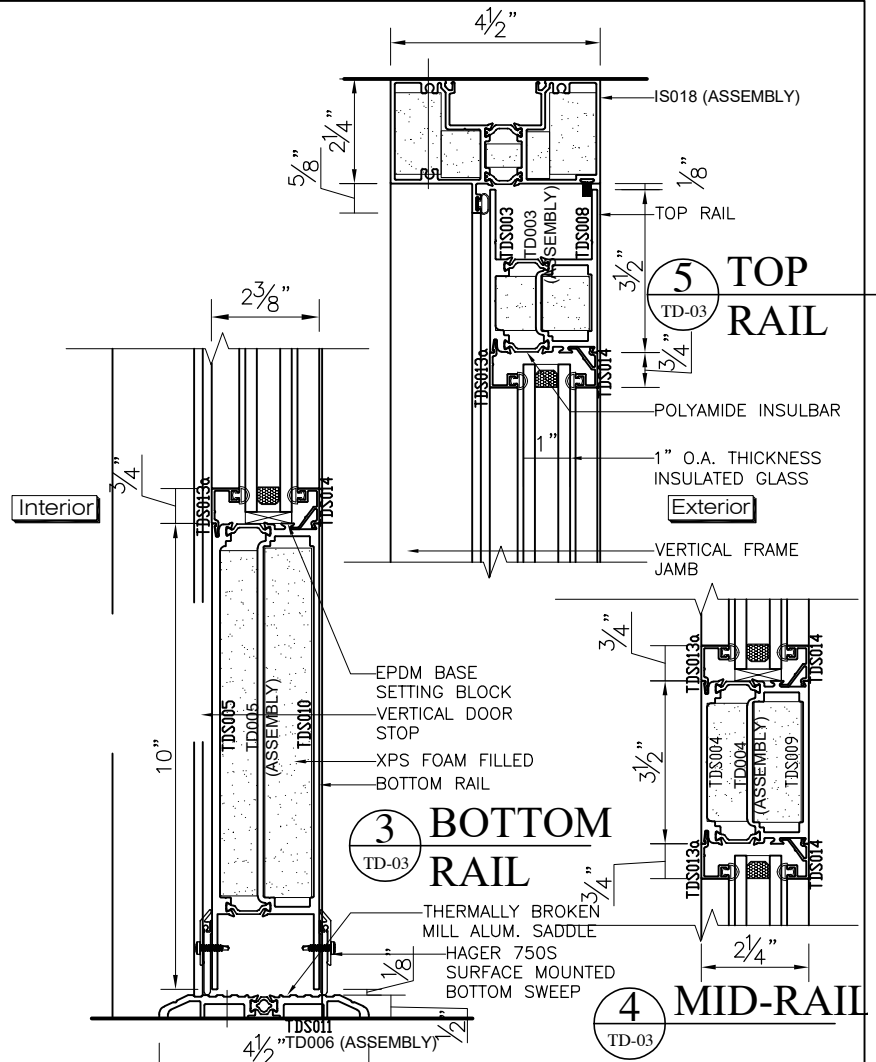
VERSION: 001

DATE: 04/22/2026

SHEET #:
TD-07
(TD350+FG45IIS)
(SINGLE W/ TRANSOM)

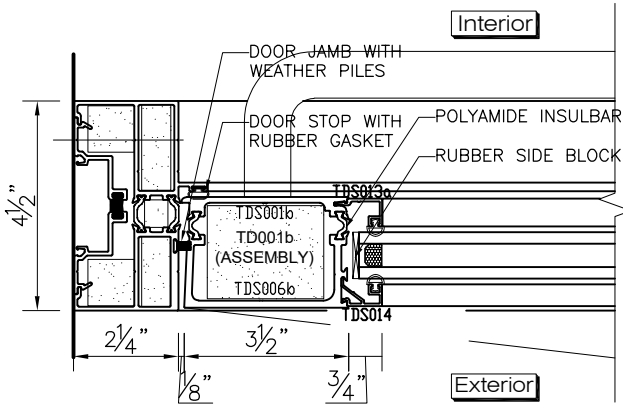


ALUMINUM STOREFRONT ELEVATIONS
SCALE: 3/8" = 1'-0"

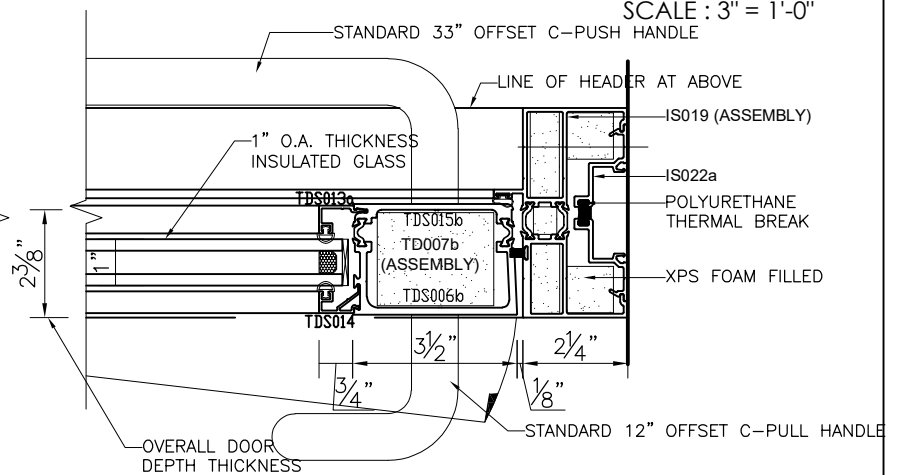


VERTICAL SECTIONAL DETAILS

SCALE: 3" = 1'-0"



1 VERTICAL JAMB
TD-03



2 VERTICAL JAMB
TD-03

HORIZONTAL SECTIONAL DETAILS

SCALE: 3" = 1'-0"



GAMCO CORPORATION
MANUFACTURERS OF FENESTRATION PRODUCTS
131-10 MAPLE AVE. FLUSHING, N.Y. 11355
TEL: (718)359-8833 FAX: (718)359-8661
info@gamcocorp.com www.gamcocorp.com

SCALE: AS SHOWN VERSION: 001

DATE: 04/22/2026

SHEET #:
TD-03
(TD350+MID+FG451IS)
(SINGLE+MID W/FRAME)