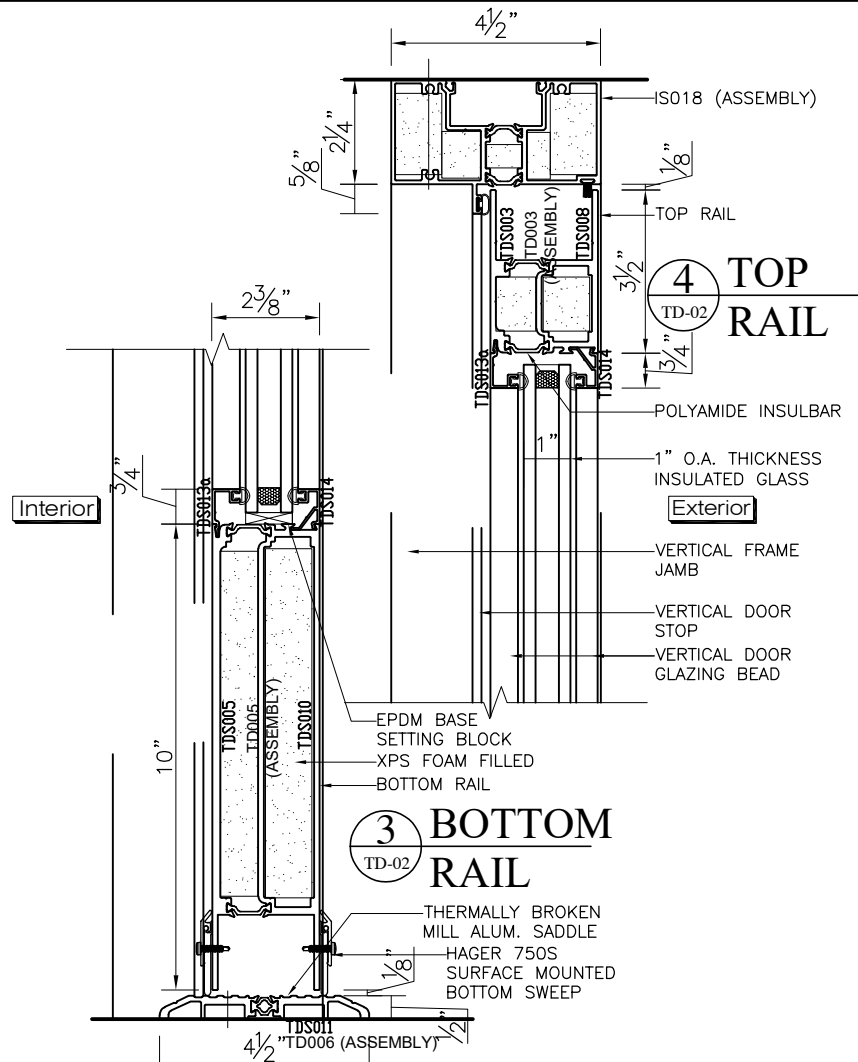
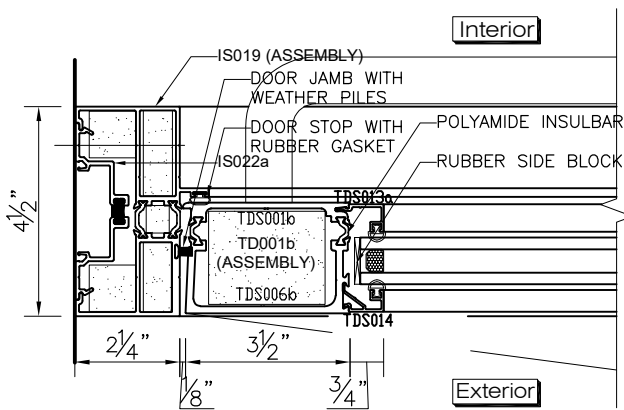


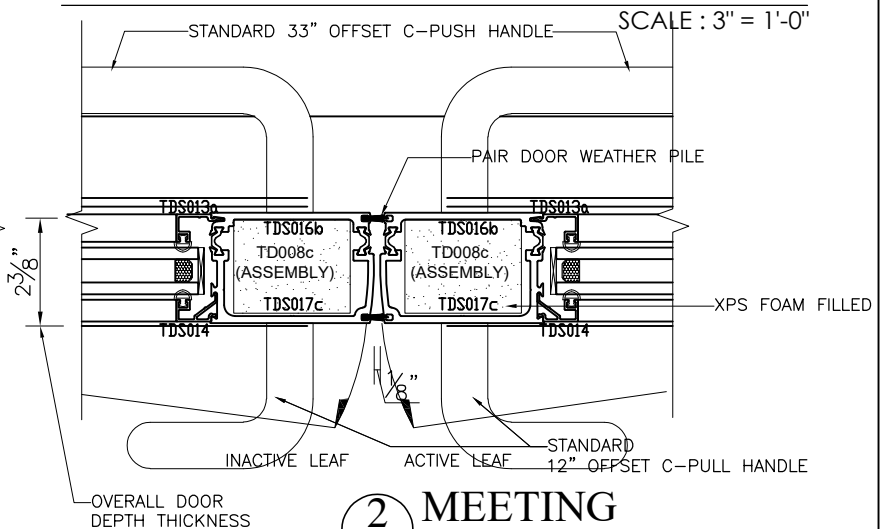
ALUMINUM STOREFRONT ELEVATIONS
SCALE: 3/8" = 1'-0"



VERTICAL SECTIONAL DETAILS



1 VERTICAL JAMB
TD-02



2 MEETING STILE
TD-02

HORIZONTAL SECTIONAL DETAILS

SCALE: 3" = 1'-0"

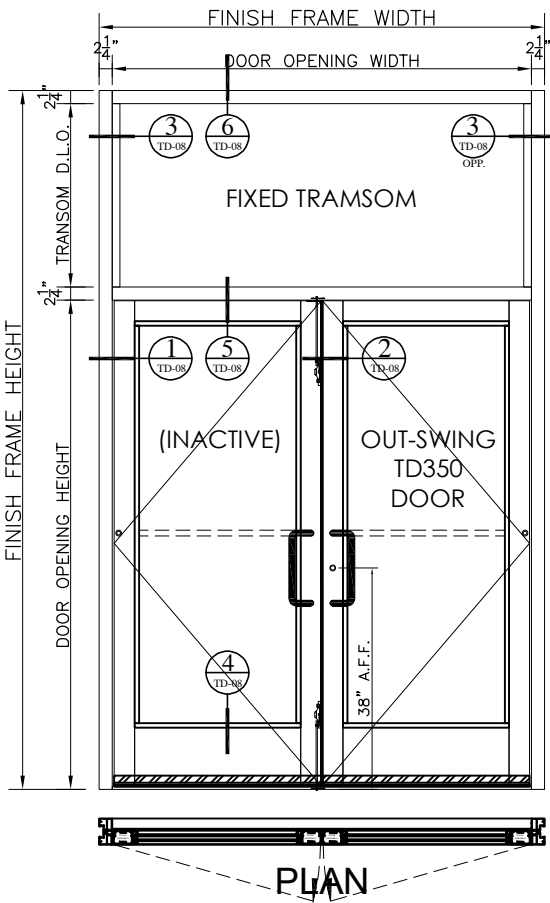


GAMCO CORPORATION
MANUFACTURERS OF FENESTRATION PRODUCTS
131-10 MAPLE AVE. FLUSHING, N.Y. 11355
TEL: (718)359-8833 FAX: (718)359-8661
info@gamcocorp.com www.gamcocorp.com

SCALE: AS SHOWN VERSION: 001

DATE: 04/22/2026

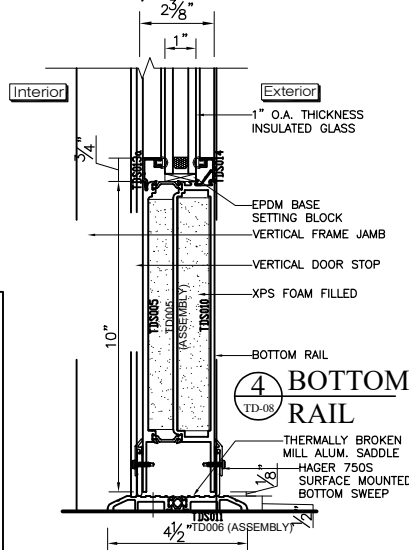
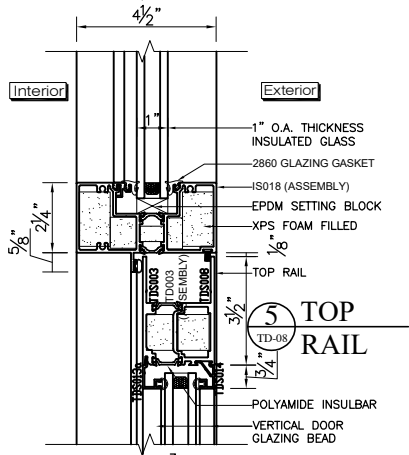
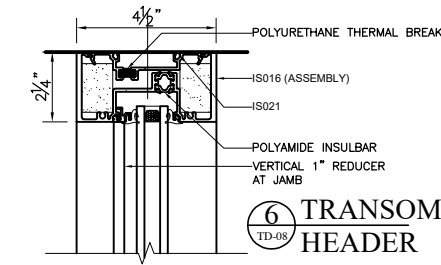
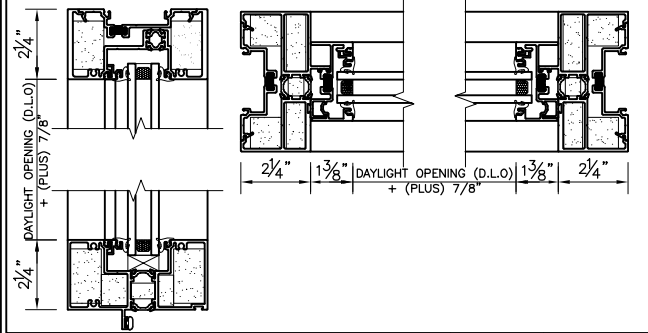
SHEET #:
TD-02
(TD350+FG451IS)
(PAIR W/ FRAME)



ALUMINUM STOREFRONT ELEVATIONS

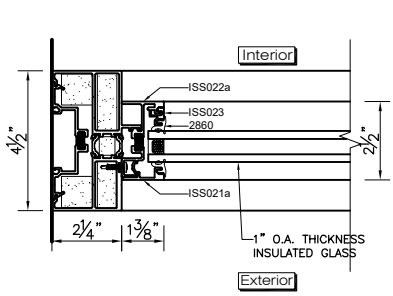
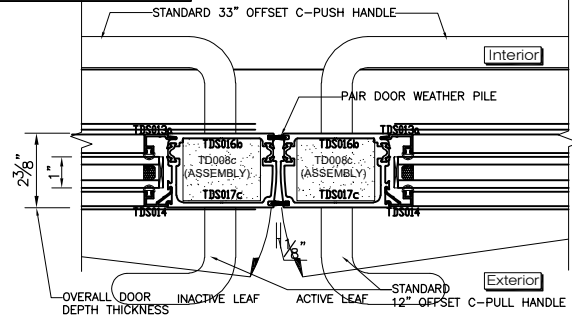
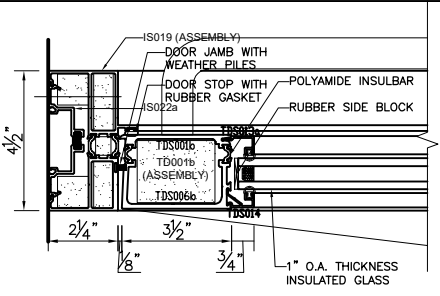
* NOTE: ALL ELEVATIONS SHOWN TO BE VIEW FROM EXTERIOR. SCALE: 3/8" = 1'-0"

Calculate Transom Glass Sizes:



VERTICAL SECTIONAL DETAILS

SCALE: 2" = 1'-0"



1 VERTICAL JAMB

2 MEETING STILE

3 TRANSOM JAMB

HORIZONTAL SECTIONAL DETAILS

SCALE: 2" = 1'-0"



GAMCO CORPORATION
 MANUFACTURERS OF FENESTRATION PRODUCTS
 131-10 MAPLE AVE. FLUSHING, N.Y. 11355
 TEL: (718)359-8833 FAX: (718)359-8661
 info@gamccorp.com www.gamccorp.com

SCALE: AS SHOWN

VERSION: 001

DATE: 04/22/2026

SHEET #:
TD-08
 (TD350+FG45IIS)
 (PAIR W/ TRANSOM)