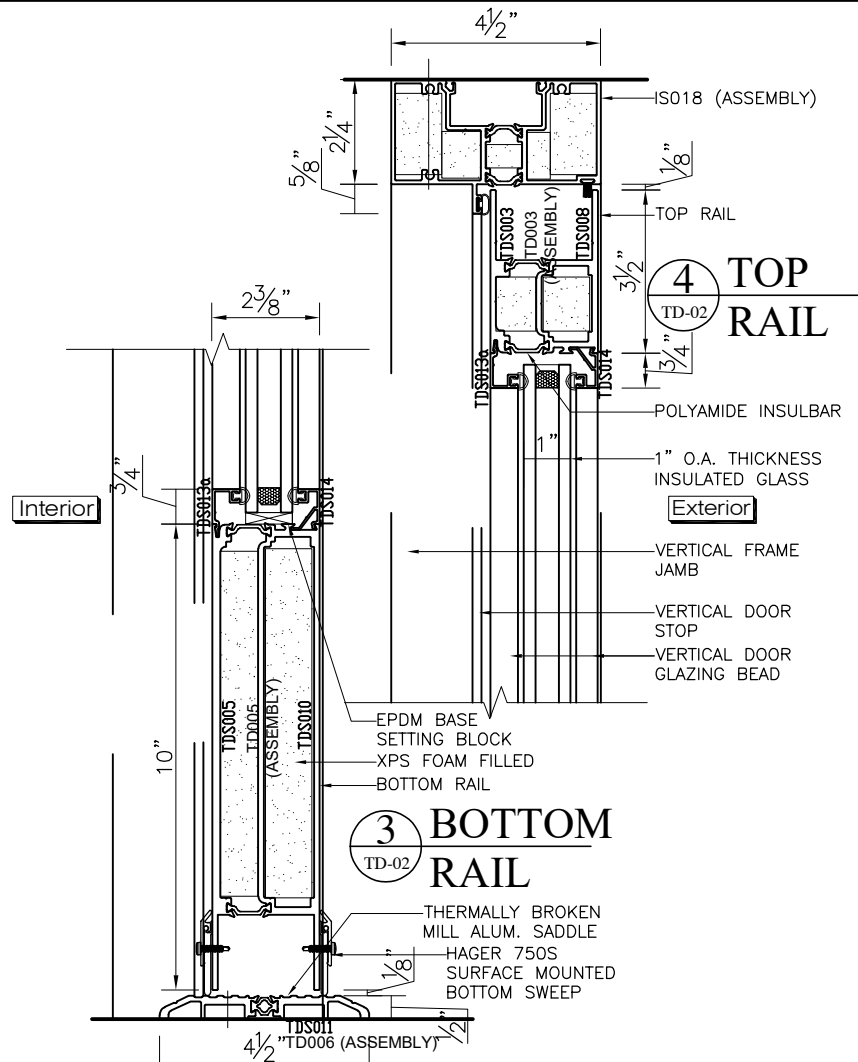
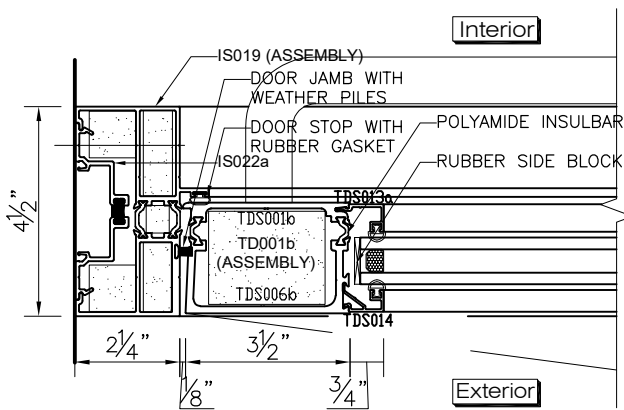


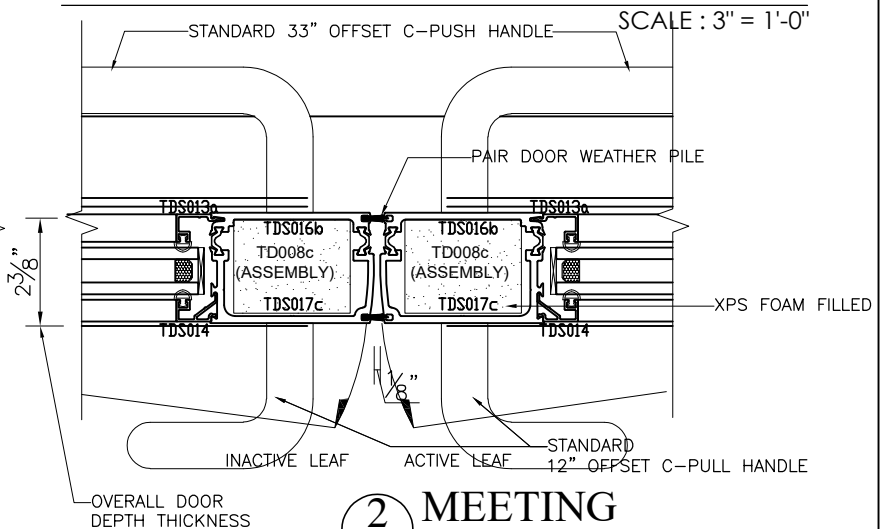
ALUMINUM STOREFRONT ELEVATIONS
SCALE: 3/8" = 1'-0"



VERTICAL SECTIONAL DETAILS



1 VERTICAL JAMB TD-02



2 MEETING STILE TD-02

HORIZONTAL SECTIONAL DETAILS

SCALE: 3" = 1'-0"



GAMCO CORPORATION
MANUFACTURERS OF FENESTRATION PRODUCTS
131-10 MAPLE AVE. FLUSHING, N.Y. 11355
TEL: (718)359-8833 FAX: (718)359-8661
info@gamcocorp.com www.gamcocorp.com

SCALE: AS SHOWN VERSION: 001

DATE: 04/22/2026

SHEET #:
TD-02
(TD350+FG45IIS)
(PAIR W/ FRAME)