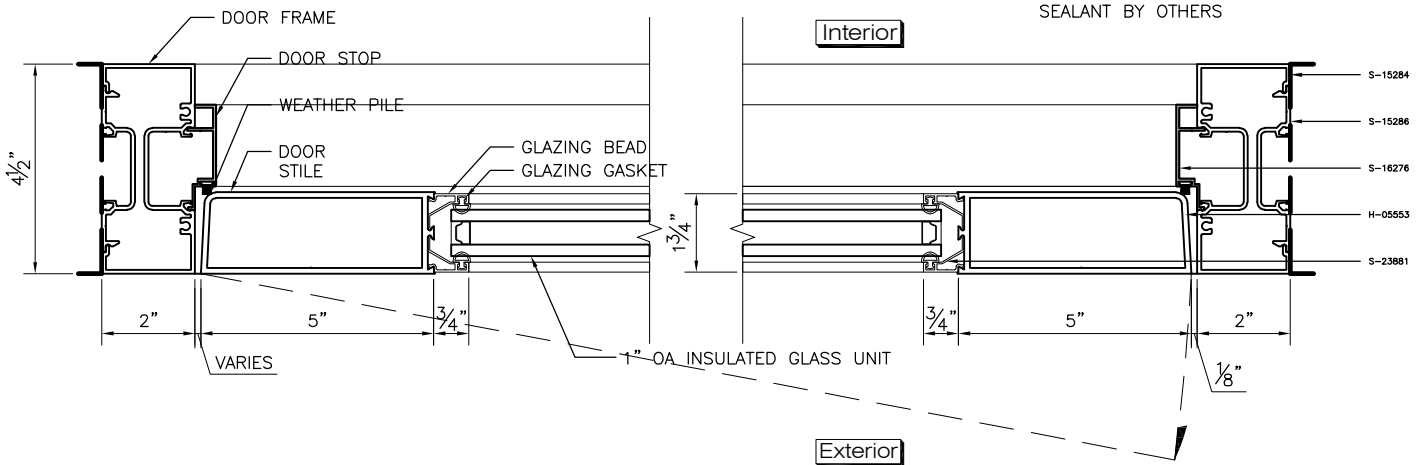
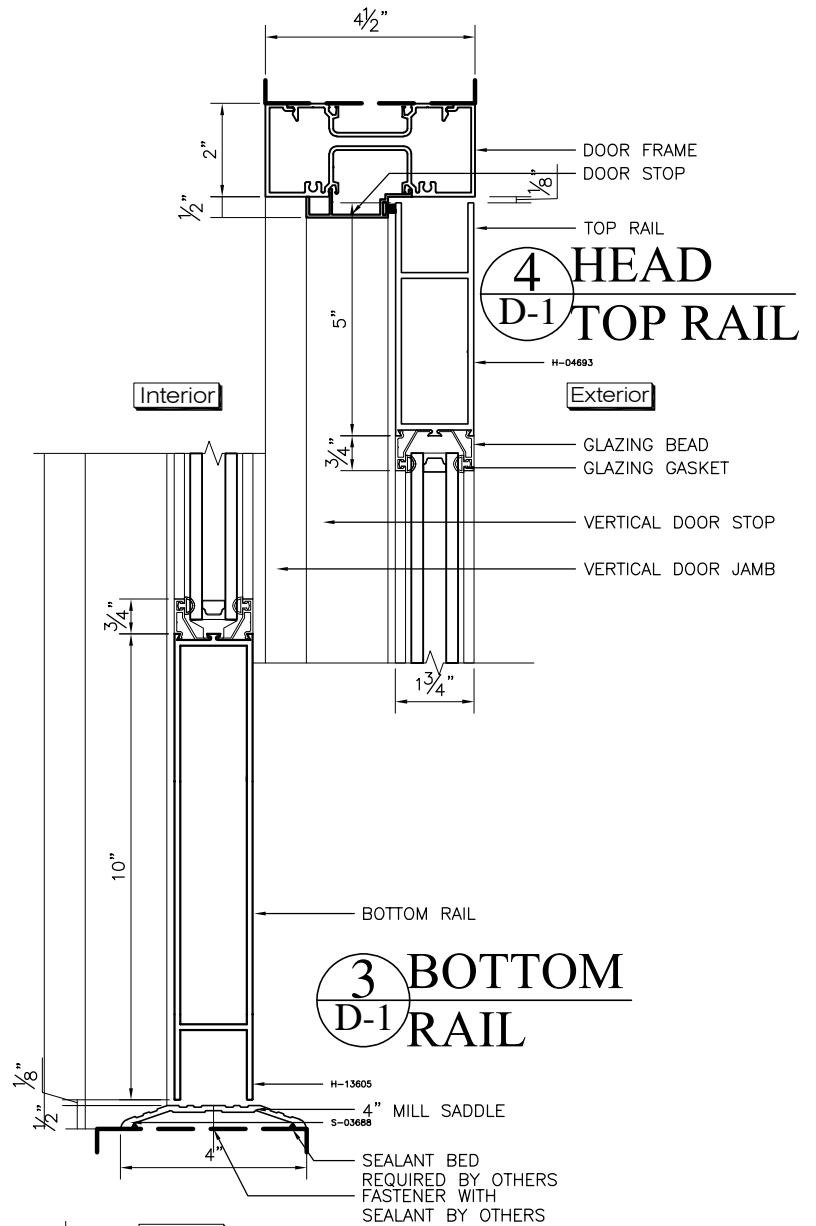


D500, SINGLE SWING-OUT WIDE STILE DOOR
FG451, 2" X 4 1/2" NON-THERMAL FRAME
1" GLAZING SETUP



1 D-1 JAMB
D-1 STILE

2 D-1 JAMB
D-1 STILE



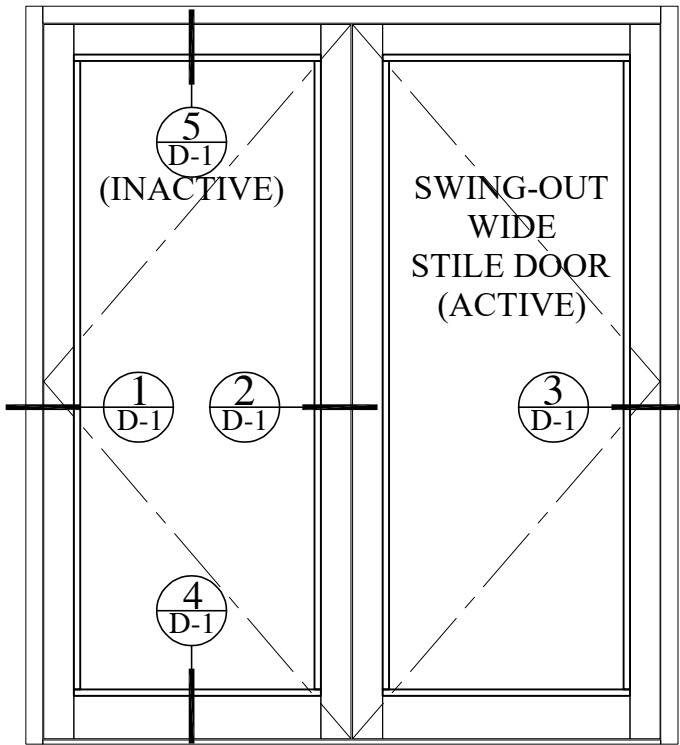
GAMCO CORPORATION
MANUFACTURERS OF FENESTRATION PRODUCTS
131-10 MAPLE AVE. FLUSHING, N.Y. 11355
TEL: (718)359-8833 FAX: (718)359-8661
info@gamcocorp.com www.gamcocorp.com

SCALE: 3" = 1'-0"

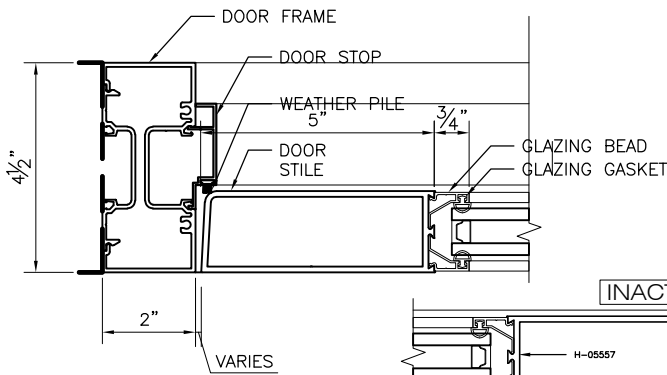
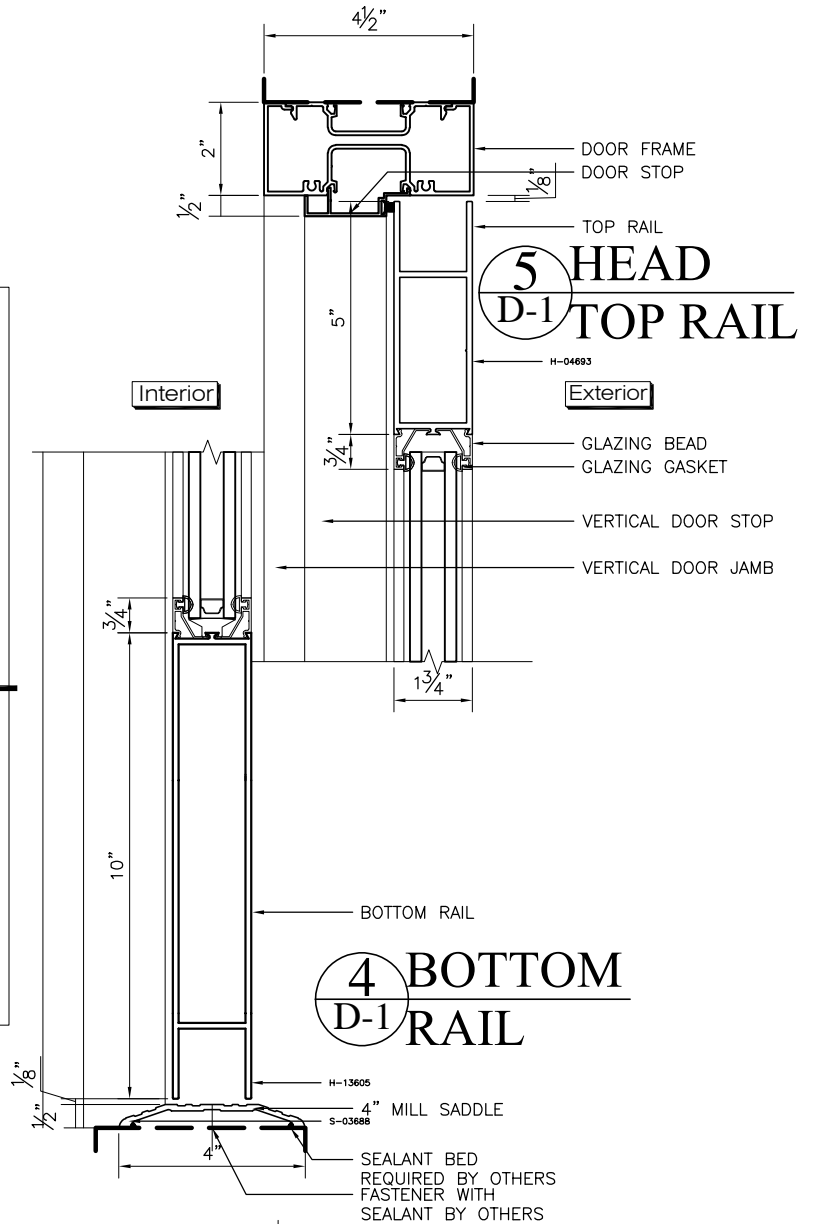
VERSION: 001

DATE: 03/17/2026

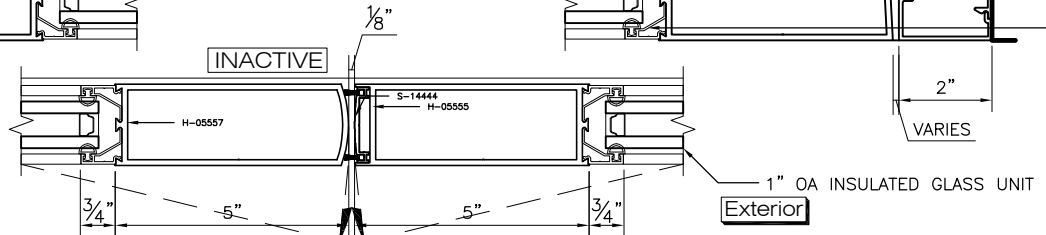
SHEET #:
D500-SF-1"
D-1



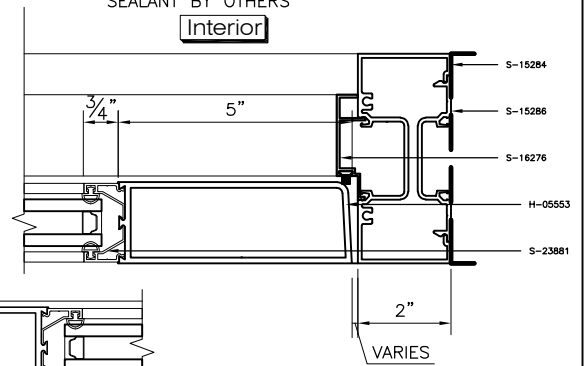
D500, PAIR SWING-OUT WIDE STILE DOOR
 FG451, 2" X 4 1/2" NON-THERMAL FRAME
 1" GLAZING SETUP



1 D-1 JAMB STILE



2 D-1 MEETING STILE



3 D-1 JAMB STILE



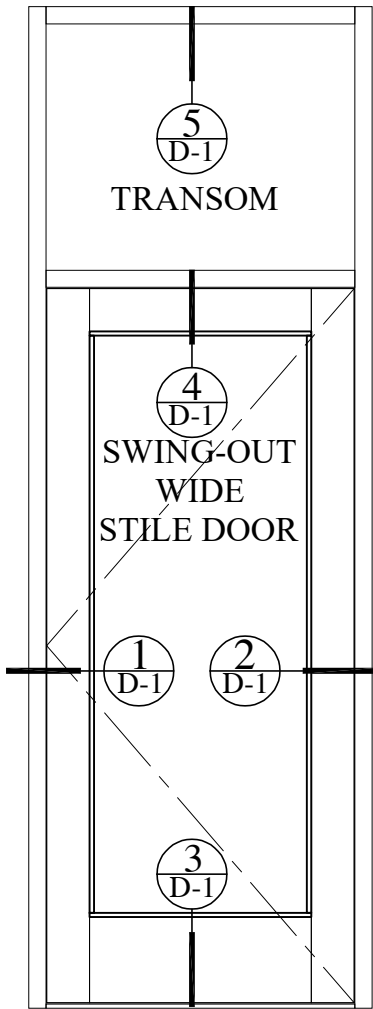
GAMCO CORPORATION
 MANUFACTURERS OF FENESTRATION PRODUCTS
 131-10 MAPLE AVE. FLUSHING, N.Y. 11355
 TEL: (718)359-8833 FAX: (718)359-8661
 info@gamcocorp.com www.gamcocorp.com

SCALE: 3" = 1'-0"

VERSION: 001

DATE: 03/17/2026

SHEET #:
 D500-PF-1"
 D-1



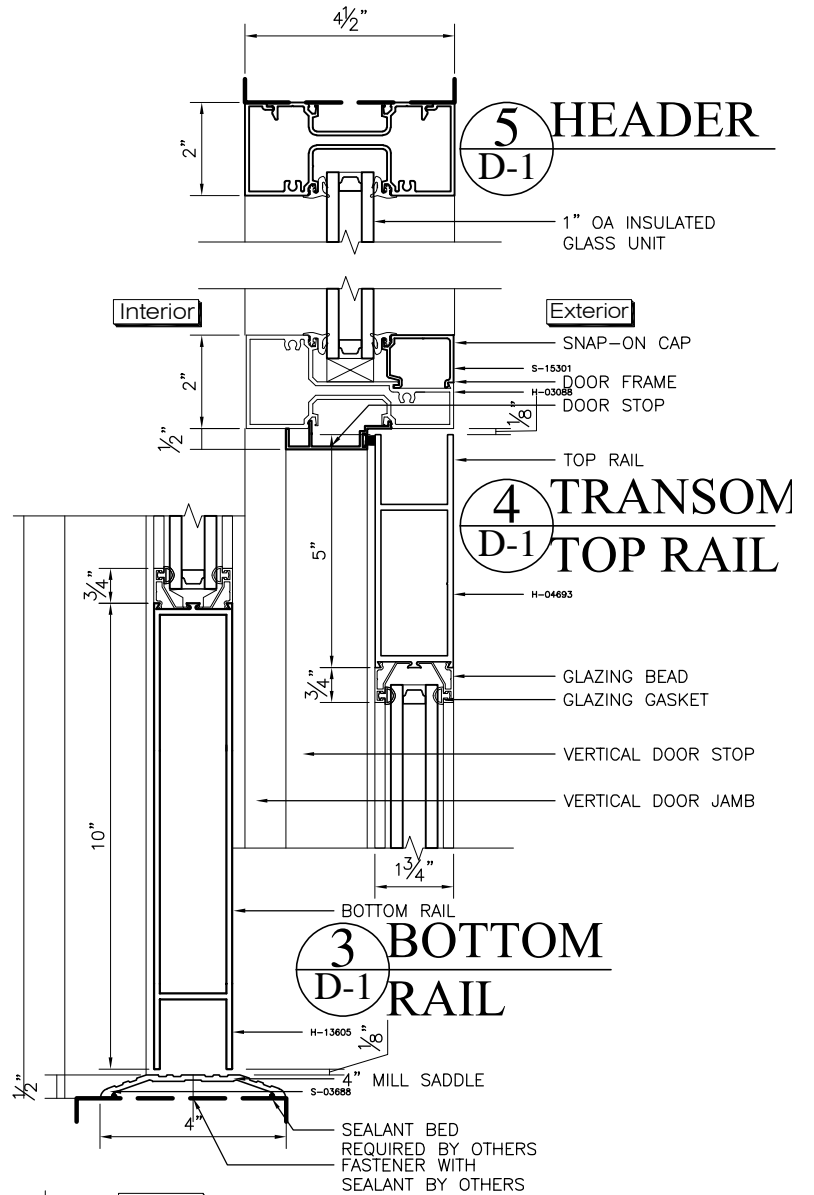
5
D-1
TRANSOM

4
D-1
SWING-OUT
WIDE
STILE DOOR

1 D-1 2 D-1

3
D-1

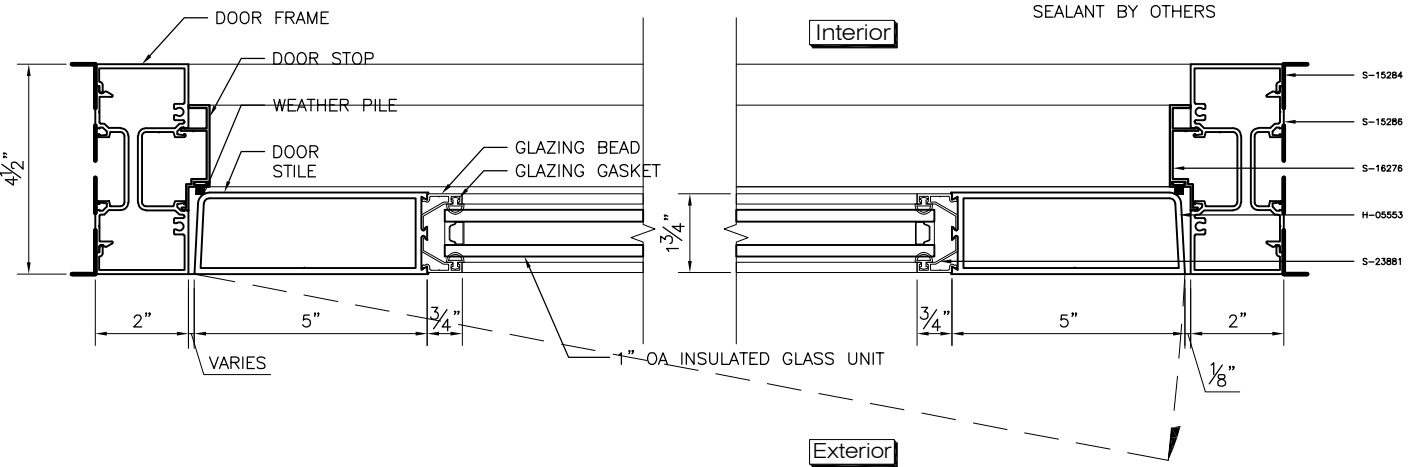
D500, SINGLE SWING-OUT WIDE STILE DOOR
FG451, 2" X 4 1/2" NON-THERMAL FRAME; TRANSOM
1" GLAZING SETUP



5
D-1
HEADER

4
D-1
TRANSOM
TOP RAIL

3
D-1
BOTTOM
RAIL



1
D-1
JAMB
STILE

2
D-1
JAMB
STILE



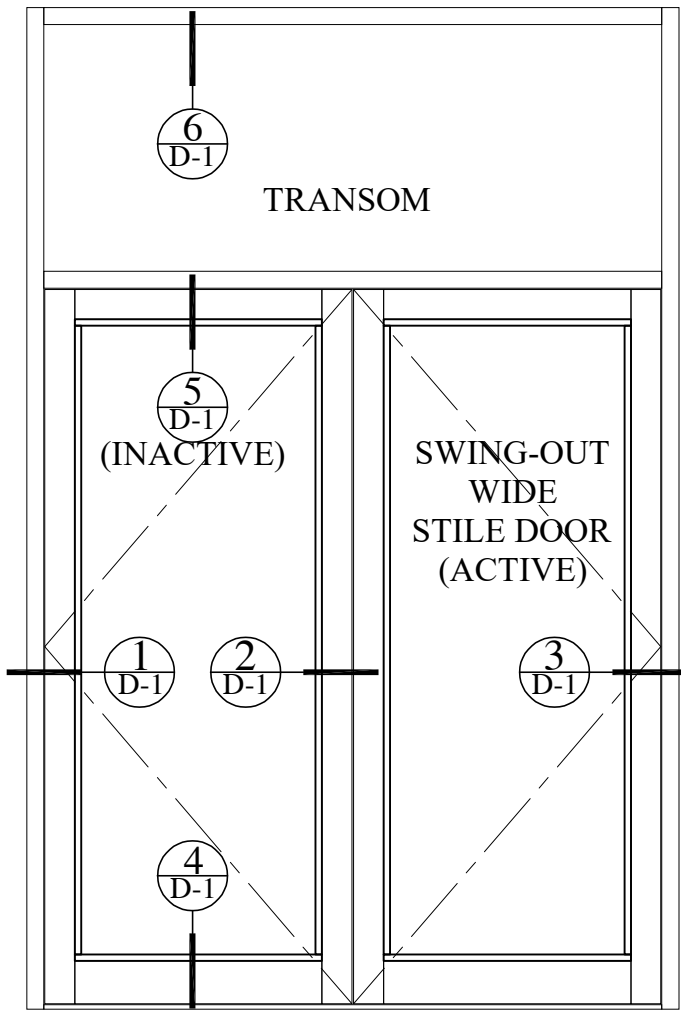
GAMCO CORPORATION
MANUFACTURERS OF FENESTRATION PRODUCTS
131-10 MAPLE AVE. FLUSHING, N.Y. 11355
TEL: (718)359-8833 FAX: (718)359-8661
info@gamcocorp.com www.gamcocorp.com

SCALE: 3" = 1'-0"

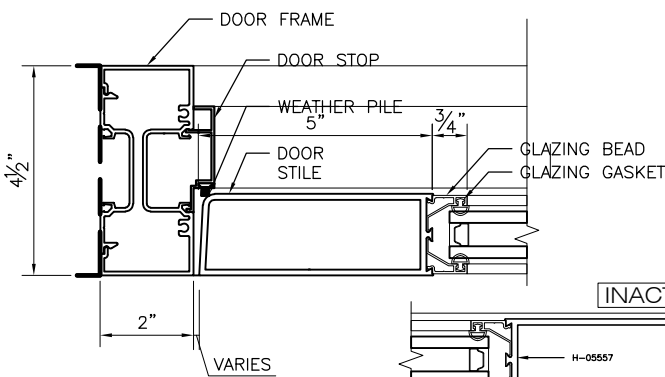
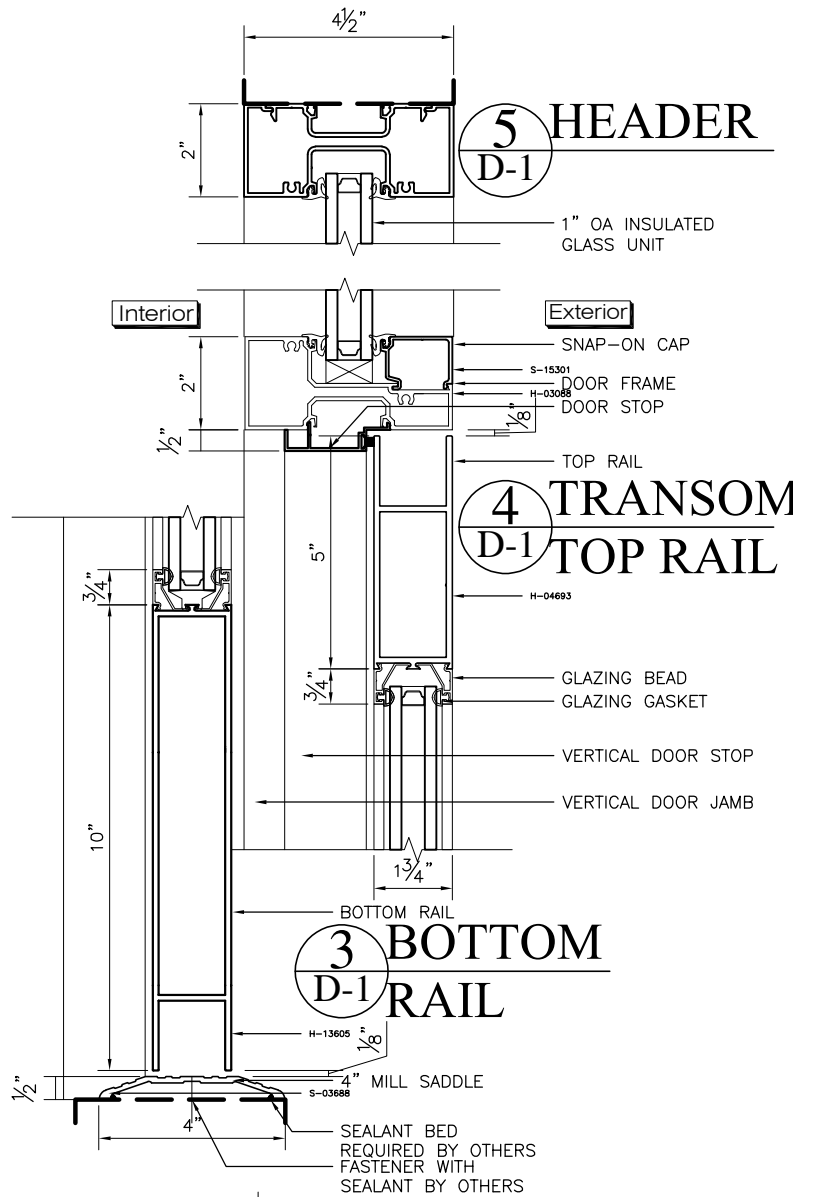
VERSION: 001

DATE: 03/17/2026

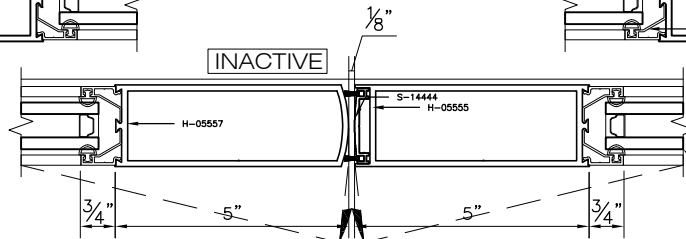
SHEET #:
D500-ST-1"
D-1



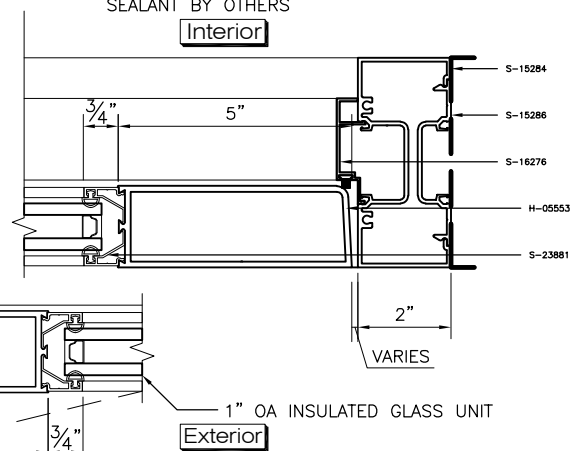
D500, PAIR SWING-OUT WIDE STILE DOOR
 FG451, 2" X 4 1/2" NON-THERMAL FRAME; TRANSOM
 1" GLAZING SETUP



1 JAMB
 D-1 STILE



2 MEETING
 D-1 STILE



3 JAMB
 D-1 STILE



GAMCO CORPORATION
 MANUFACTURERS OF FENESTRATION PRODUCTS
 131-10 MAPLE AVE. FLUSHING, N.Y. 11355
 TEL: (718)359-8833 FAX: (718)359-8661
 info@gamcocorp.com www.gamcocorp.com

SCALE: 3" = 1'-0"

VERSION: 001

DATE: 03/17/2026

SHEET #:
 D500-PT-1"
 D-1