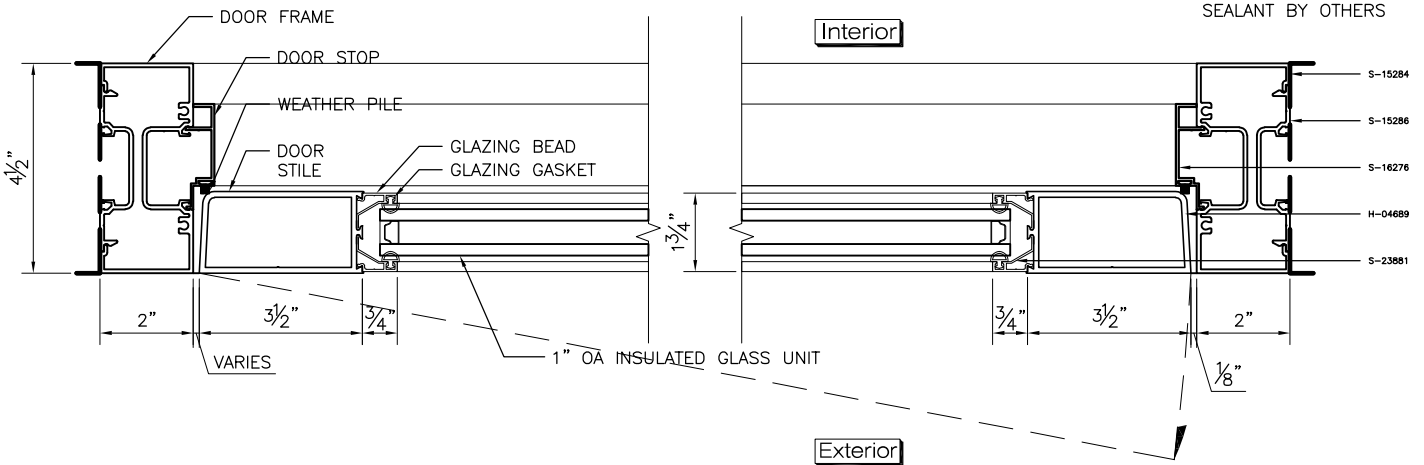
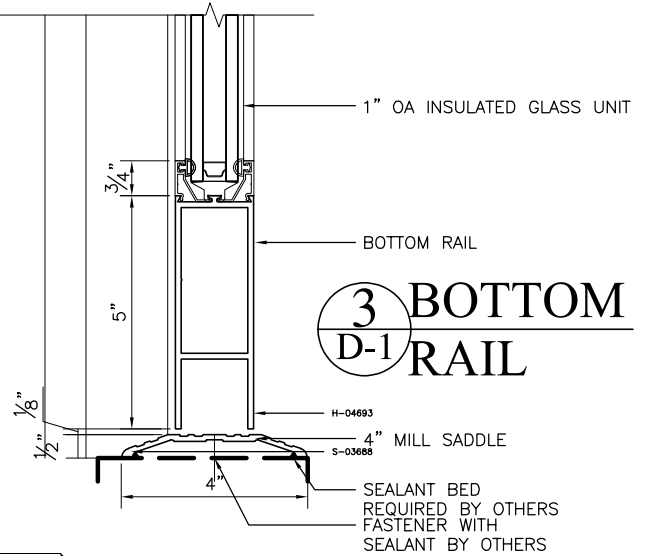
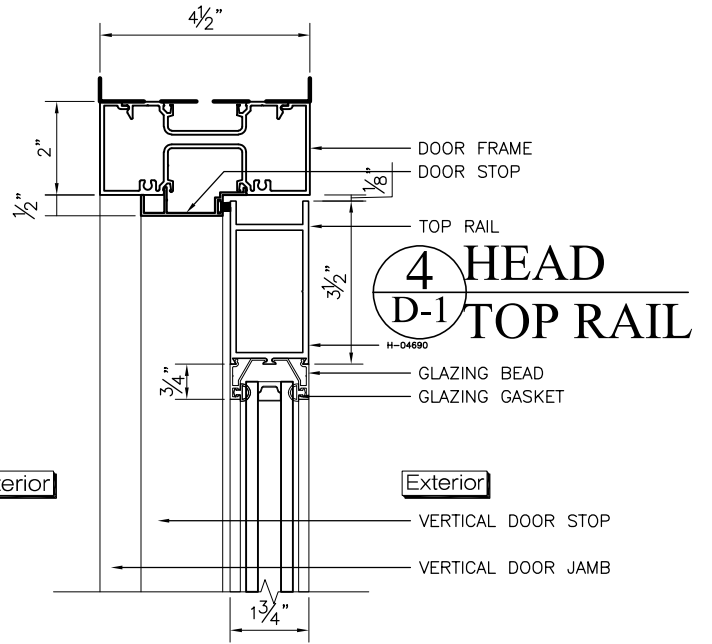


D350, SINGLE SWING-OUT MEDIUM STILE DOOR  
FG451, 2" X 4 1/2" NON-THERMAL FRAME  
1" GLAZING SETUP



1 D-1  
JAMB  
STILE

2 D-1  
JAMB  
STILE



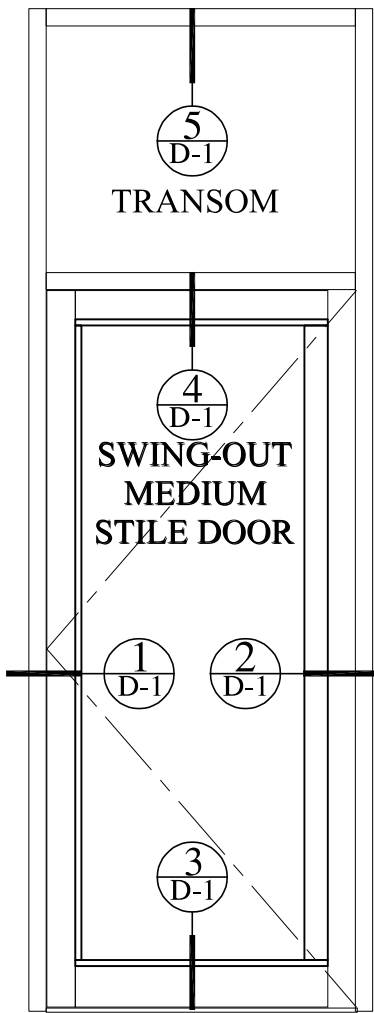
GAMCO CORPORATION  
MANUFACTURERS OF FENESTRATION PRODUCTS  
131-10 MAPLE AVE. FLUSHING, N.Y. 11355  
TEL: (718)359-8833 FAX: (718)359-8661  
info@gamcocorp.com www.gamcocorp.com

SCALE: 3" = 1'-0"

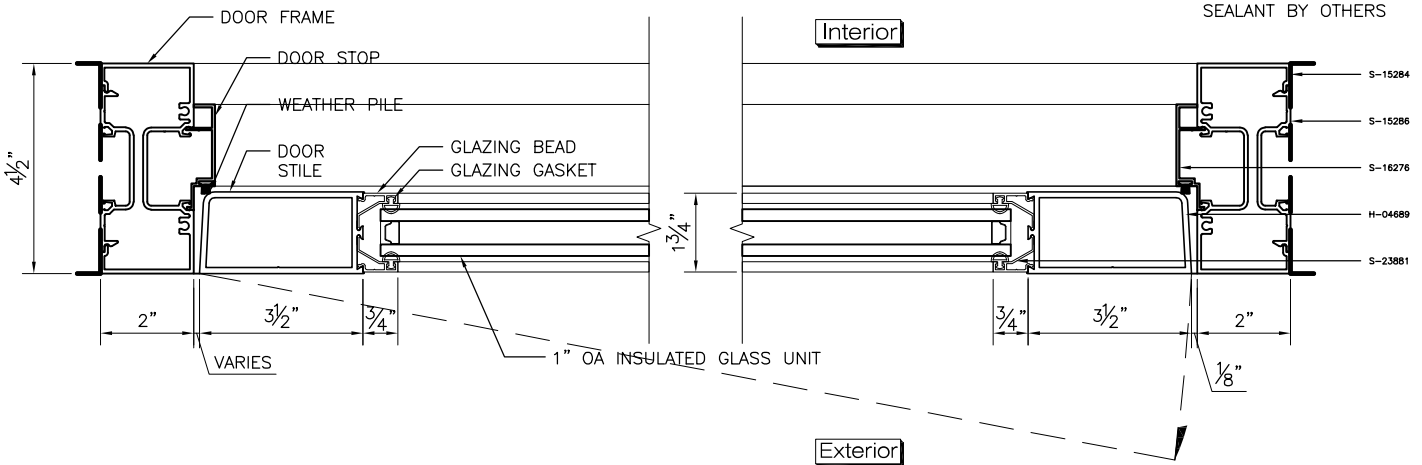
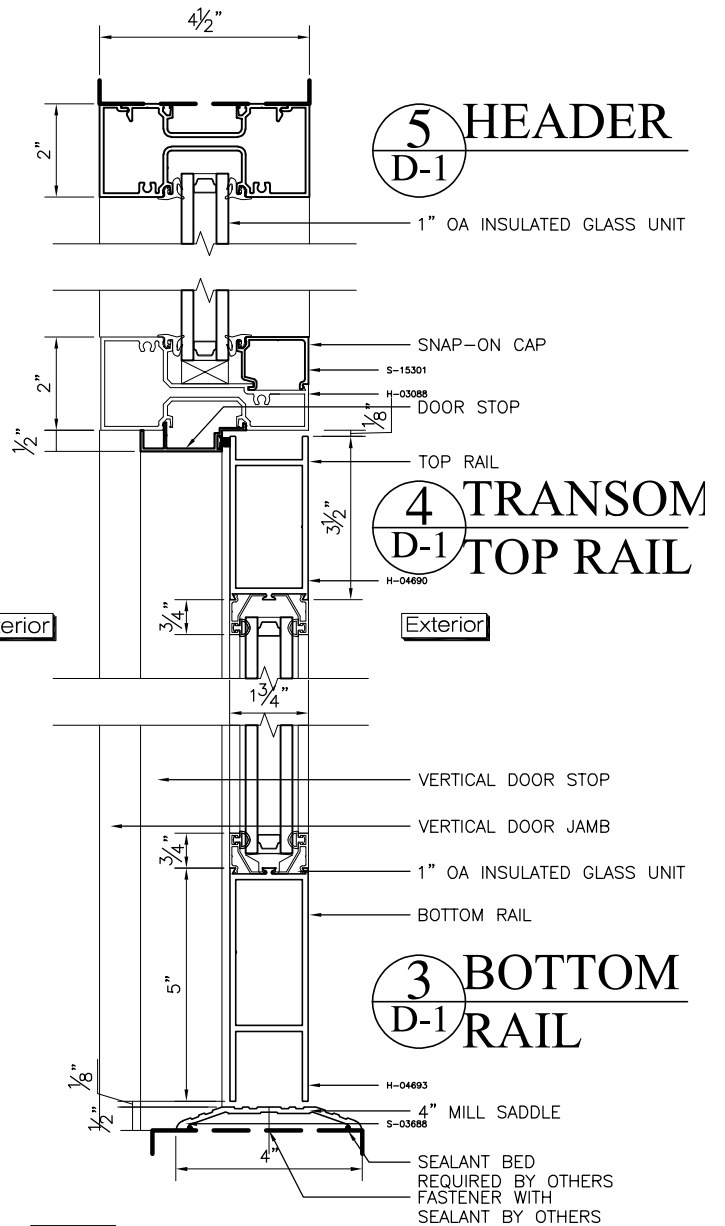
VERSION: 001

DATE: 03/17/2026

SHEET #:  
D350-SF-1"  
D-1



D350, SINGLE SWING-OUT MEDIUM STILE DOOR  
 FG451, 2" X 4 1/2" NON-THERMAL FRAME; TRANSOM  
 1" GLAZING SETUP



1  
D-1  
JAMB  
STILE

2  
D-1  
JAMB  
STILE



GAMCO CORPORATION  
 MANUFACTURERS OF FENESTRATION PRODUCTS  
 131-10 MAPLE AVE. FLUSHING, N.Y. 11355  
 TEL: (718)359-8833 FAX: (718)359-8661  
 info@gamccorp.com www.gamccorp.com

SCALE: 3" = 1'-0"

VERSION: 001

DATE: 03/17/2026

SHEET #:  
 D350-ST-1"  
 D-1