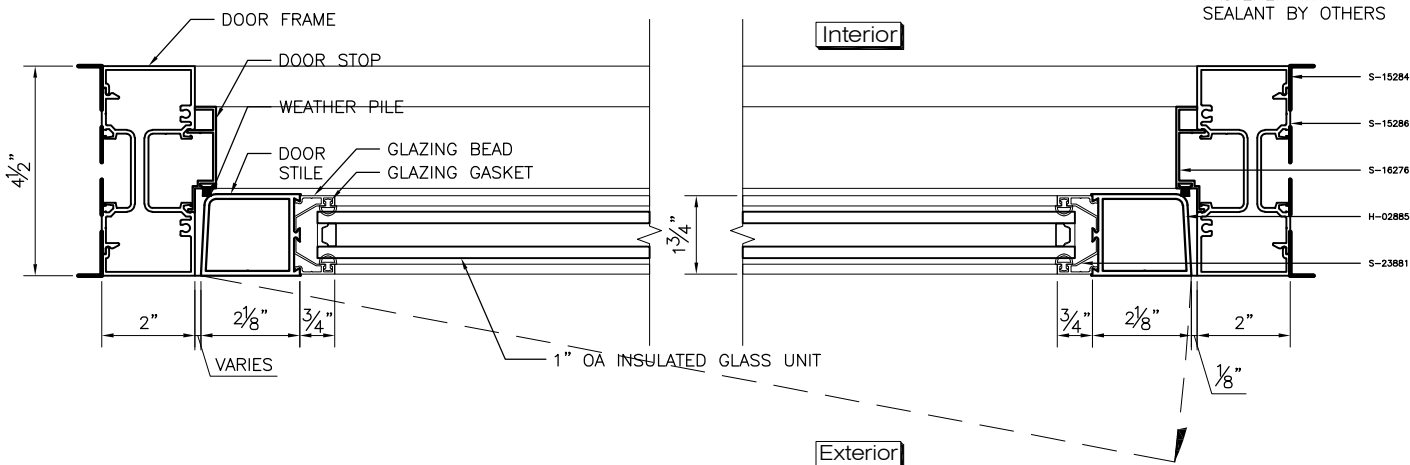
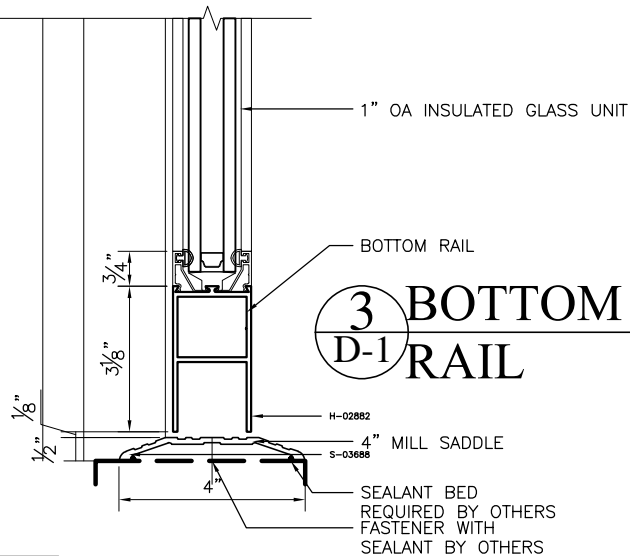
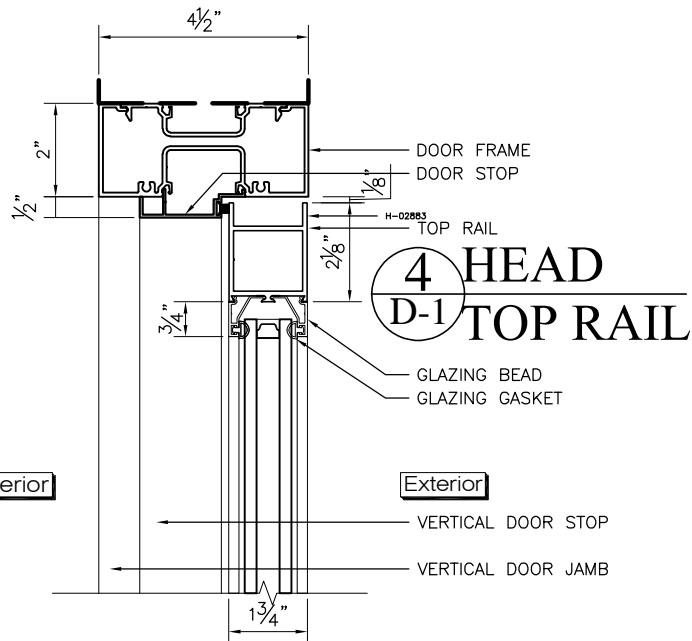


D200, SINGLE SWING-OUT NARROW STILE DOOR
FG451, 2" X 4 1/2" NON-THERMAL FRAME
1" GLAZING SETUP



1 JAMB
D-1 STILE

2 JAMB
D-1 STILE



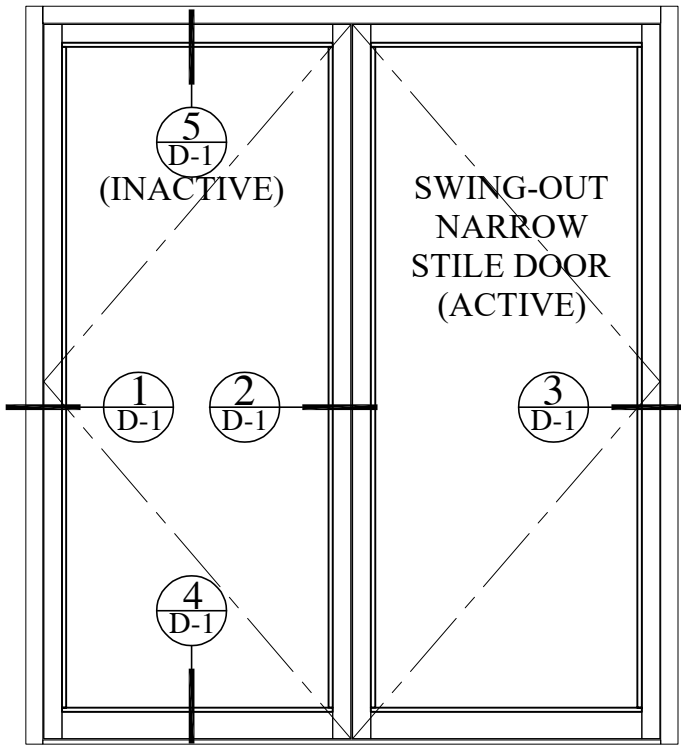
GAMCO CORPORATION
MANUFACTURERS OF FENESTRATION PRODUCTS
131-10 MAPLE AVE. FLUSHING, N.Y. 11355
TEL: (718)359-8833 FAX: (718)359-8661
info@gamcocorp.com www.gamcocorp.com

SCALE: 3" = 1'-0"

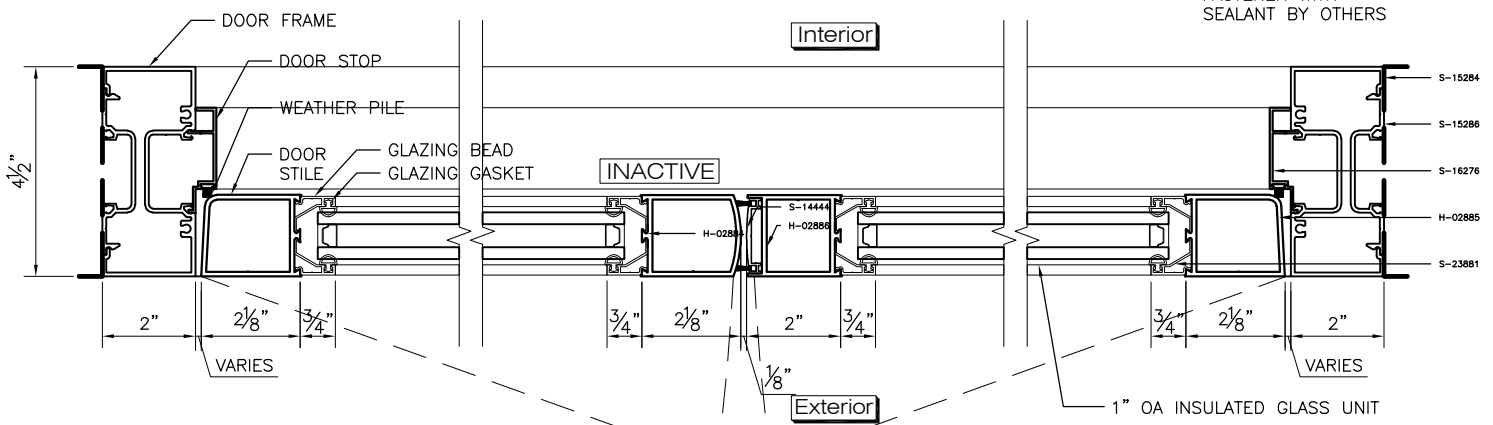
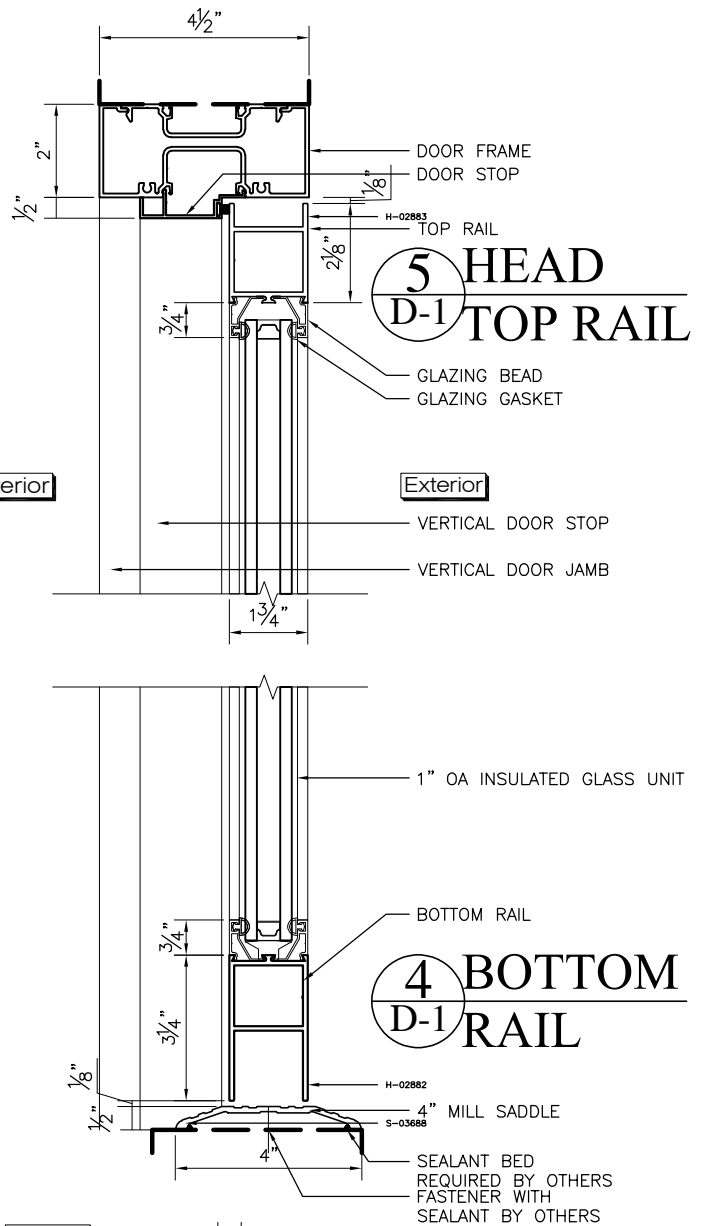
VERSION: 001

DATE: 03/17/2026

SHEET #:
D200-SF-1"
D-1



D200, PAIR SWING-OUT NARROW STILE DOOR
 FG451, 2" X 4 1/2" NON-THERMAL FRAME
 1" GLAZING SETUP



1 JAMB D-1 STILE

2 MEETING D-1 STILE

3 JAMB D-1 STILE



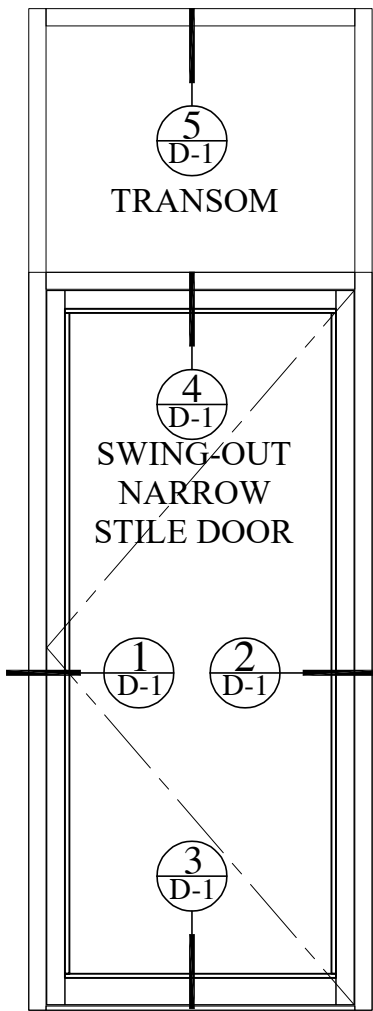
GAMCO CORPORATION
 MANUFACTURERS OF FENESTRATION PRODUCTS
 131-10 MAPLE AVE. FLUSHING, N.Y. 11355
 TEL: (718)359-8833 FAX: (718)359-8661
 info@gamcocorp.com www.gamcocorp.com

SCALE: 3" = 1'-0"

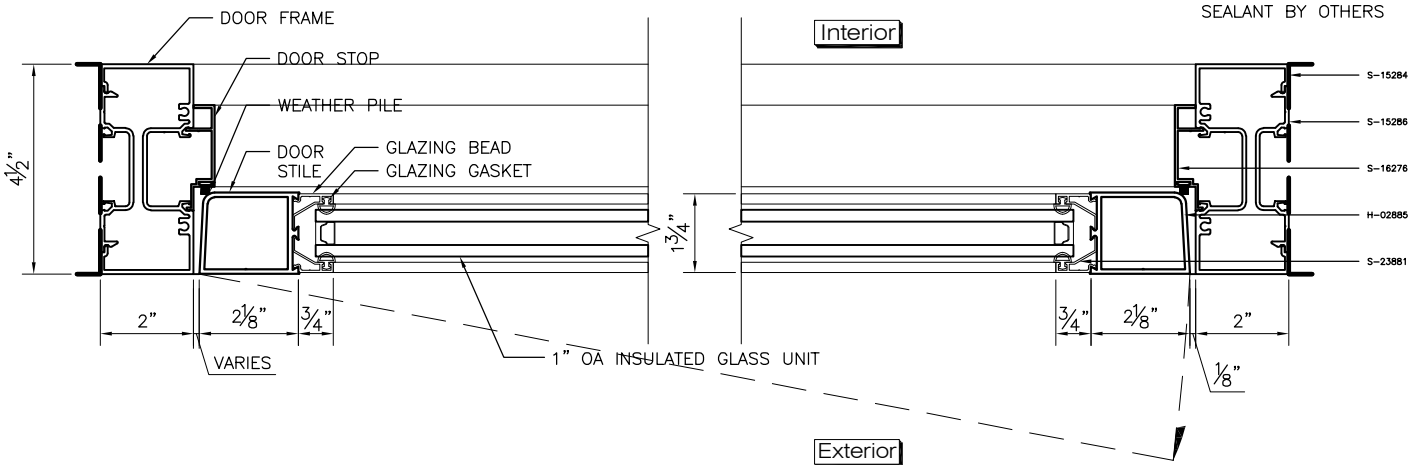
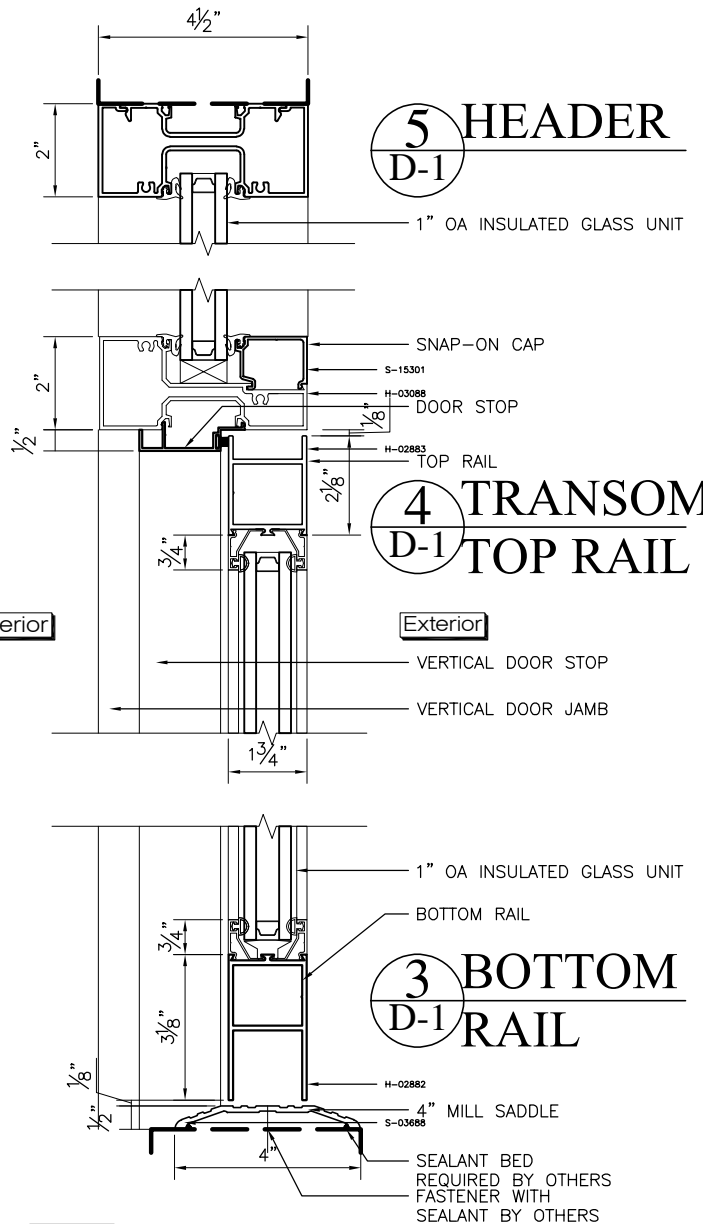
VERSION: 001

DATE: 03/17/2026

SHEET #:
D200-PF-1"
D-1



D200, SINGLE SWING-OUT NARROW STILE DOOR
FG451, 2" X 4 1/2" NON-THERMAL FRAME; TRANSOM
1" GLAZING SETUP



1
D-1
JAMB
STILE

2
D-1
JAMB
STILE



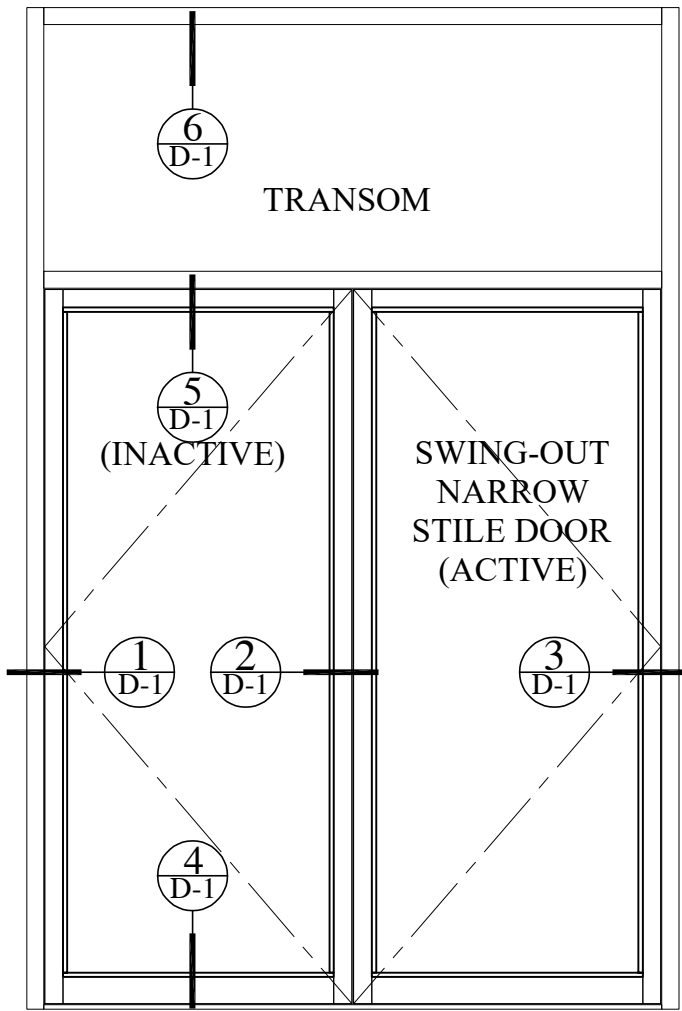
GAMCO CORPORATION
MANUFACTURERS OF FENESTRATION PRODUCTS
131-10 MAPLE AVE. FLUSHING, N.Y. 11355
TEL: (718)359-8833 FAX: (718)359-8661
info@gamcocorp.com www.gamcocorp.com

SCALE: 3" = 1'-0"

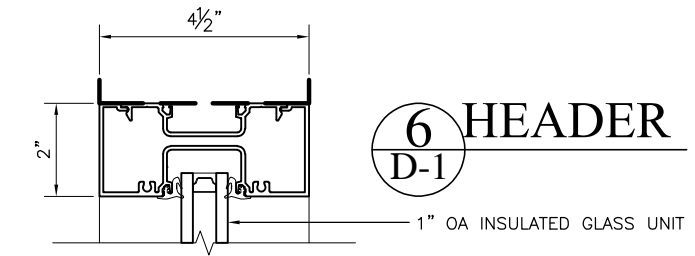
VERSION: 001

DATE: 03/17/2026

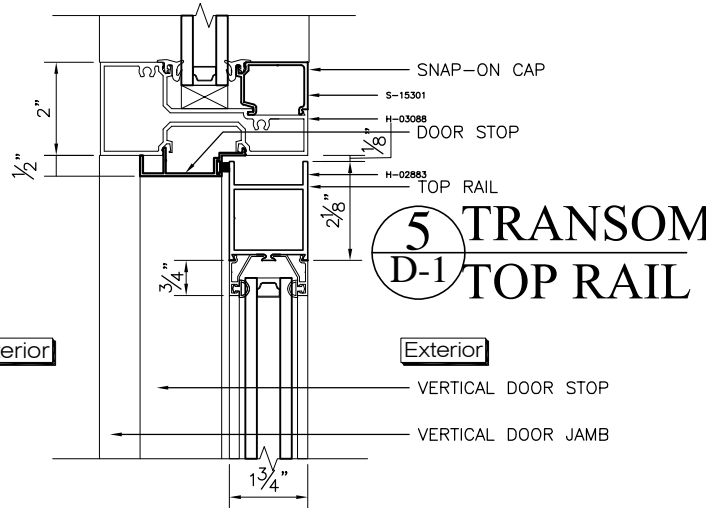
SHEET #:
D200-ST-1"
D-1



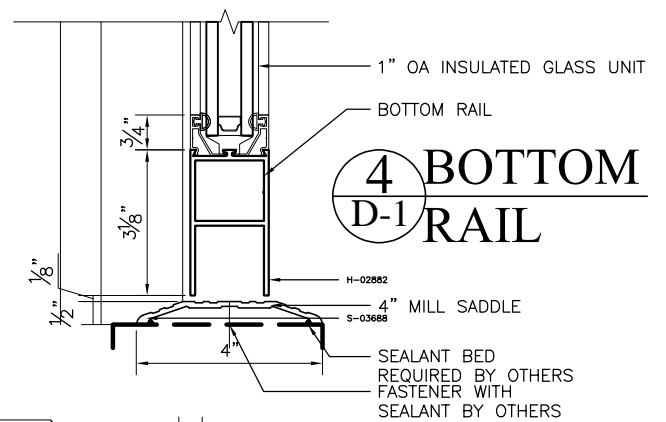
D200, PAIR SWING-OUT NARROW STILE DOOR
 FG451, 2" X 4 1/2" NON-THERMAL FRAME; TRANSOM
 1" GLAZING SETUP



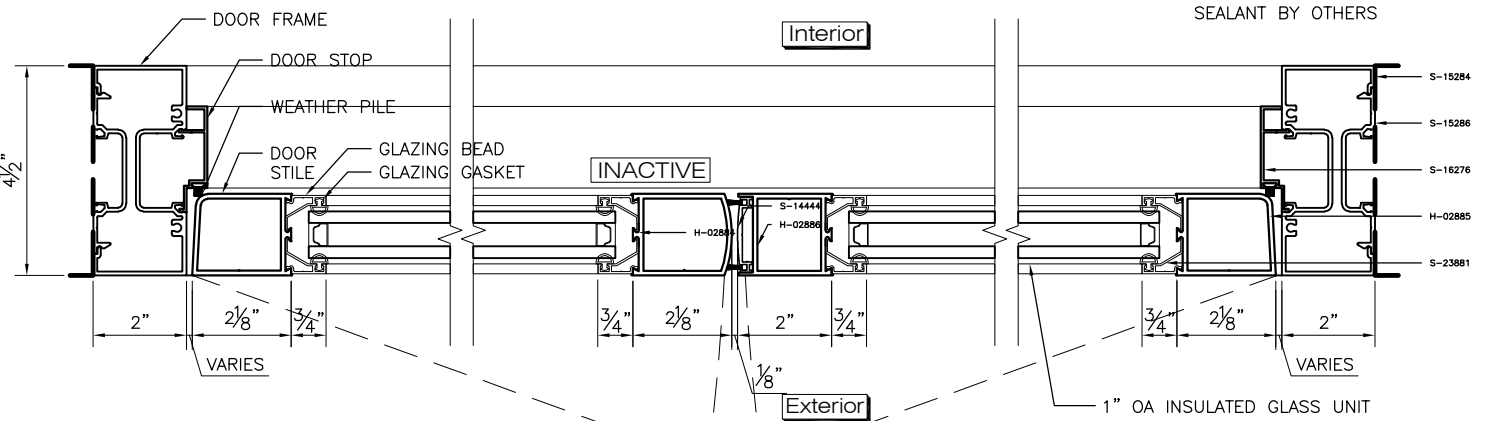
6 HEADER
 D-1



5 TRANSOM
 D-1
TOP RAIL



4 BOTTOM
 D-1
RAIL



1 JAMB
 D-1
STILE

2 MEETING
 D-1
STILE

3 JAMB
 D-1
STILE



GAMCO CORPORATION
 MANUFACTURERS OF FENESTRATION PRODUCTS
 131-10 MAPLE AVE. FLUSHING, N.Y. 11355
 TEL: (718)359-8833 FAX: (718)359-8661
 info@gamcocorp.com www.gamcocorp.com

SCALE: 3" = 1'-0"

VERSION: 001

DATE: 03/17/2026

SHEET #:
 D200-PT-1"
 D-1