

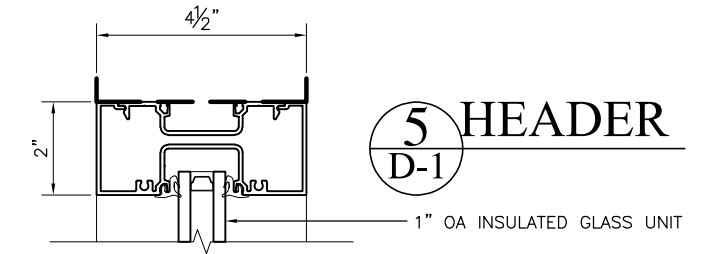
5  
D-1  
TRANSOM

4  
D-1  
SWING-OUT  
NARROW  
STILE DOOR

1 D-1    2 D-1

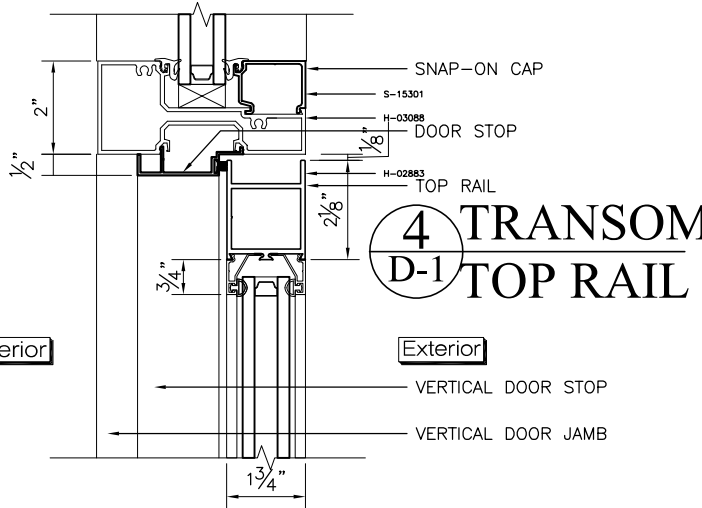
3  
D-1

D200, SINGLE SWING-OUT NARROW STILE DOOR  
FG451, 2" X 4 1/2" NON-THERMAL FRAME; TRANSOM  
1" GLAZING SETUP



5  
D-1  
HEADER

1" OA INSULATED GLASS UNIT



4  
D-1  
TRANSOM  
TOP RAIL

Interior

Exterior

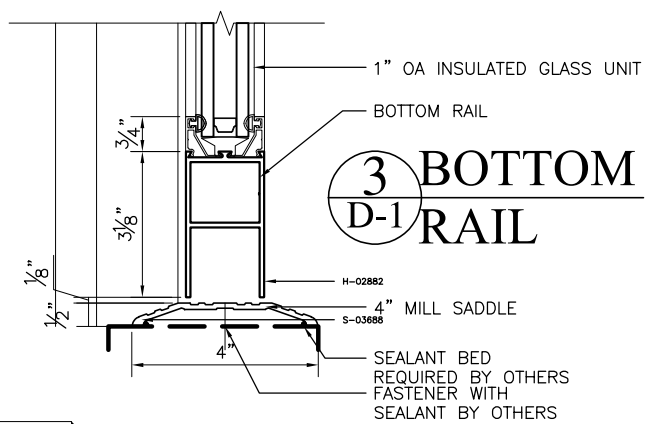
SNAP-ON CAP  
S-15301

H-03088  
DOOR STOP

H-02883  
TOP RAIL

VERTICAL DOOR STOP

VERTICAL DOOR JAMB



3  
D-1  
BOTTOM  
RAIL

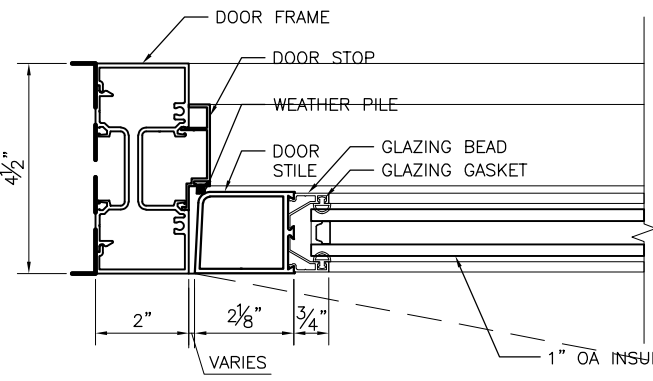
1" OA INSULATED GLASS UNIT

BOTTOM RAIL

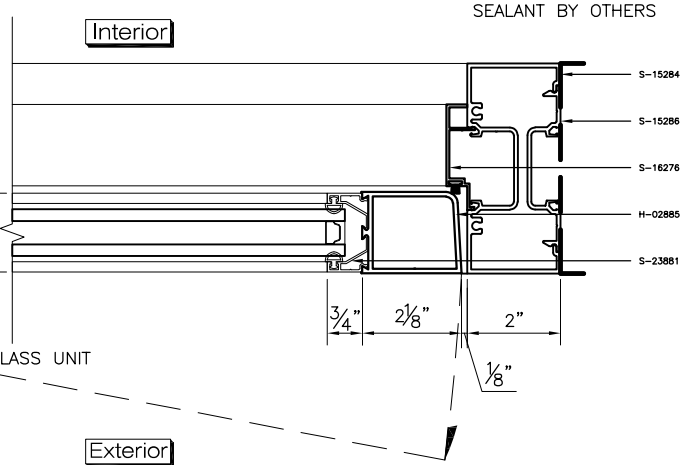
H-02882

4" MILL SADDLE  
S-03688

SEALANT BED  
REQUIRED BY OTHERS  
FASTENER WITH  
SEALANT BY OTHERS



1  
D-1  
JAMB  
STILE



2  
D-1  
JAMB  
STILE



GAMCO CORPORATION  
MANUFACTURERS OF FENESTRATION PRODUCTS  
131-10 MAPLE AVE. FLUSHING, N.Y. 11355  
TEL: (718)359-8833 FAX: (718)359-8661  
info@gamcocorp.com www.gamcocorp.com

SCALE: 3" = 1'-0"

VERSION: 001

DATE: 03/17/2026

SHEET #:  
D200-ST-1"  
D-1