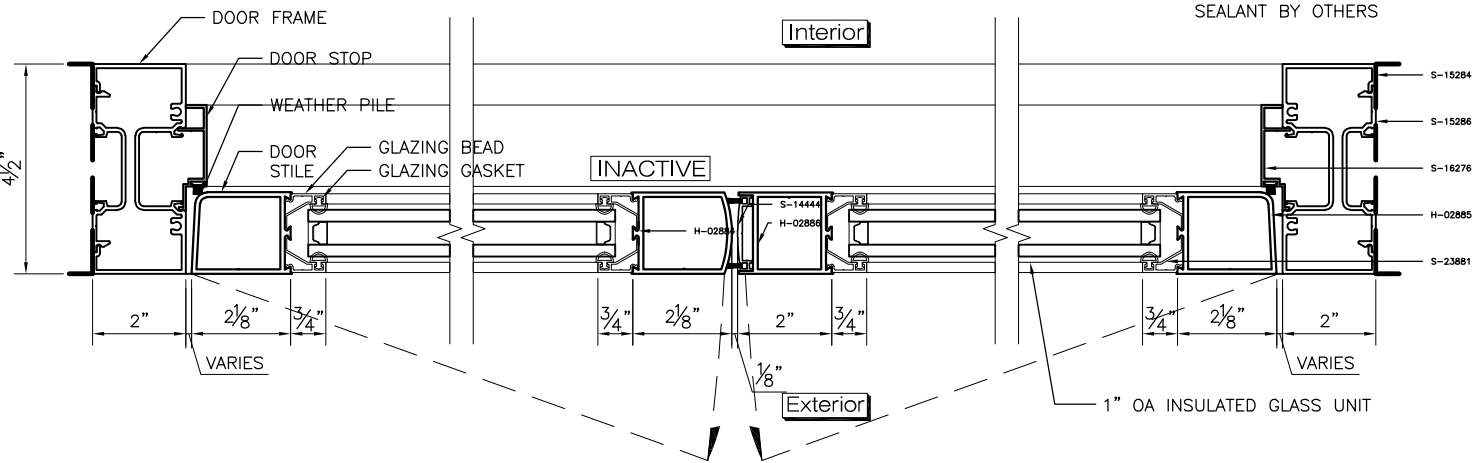
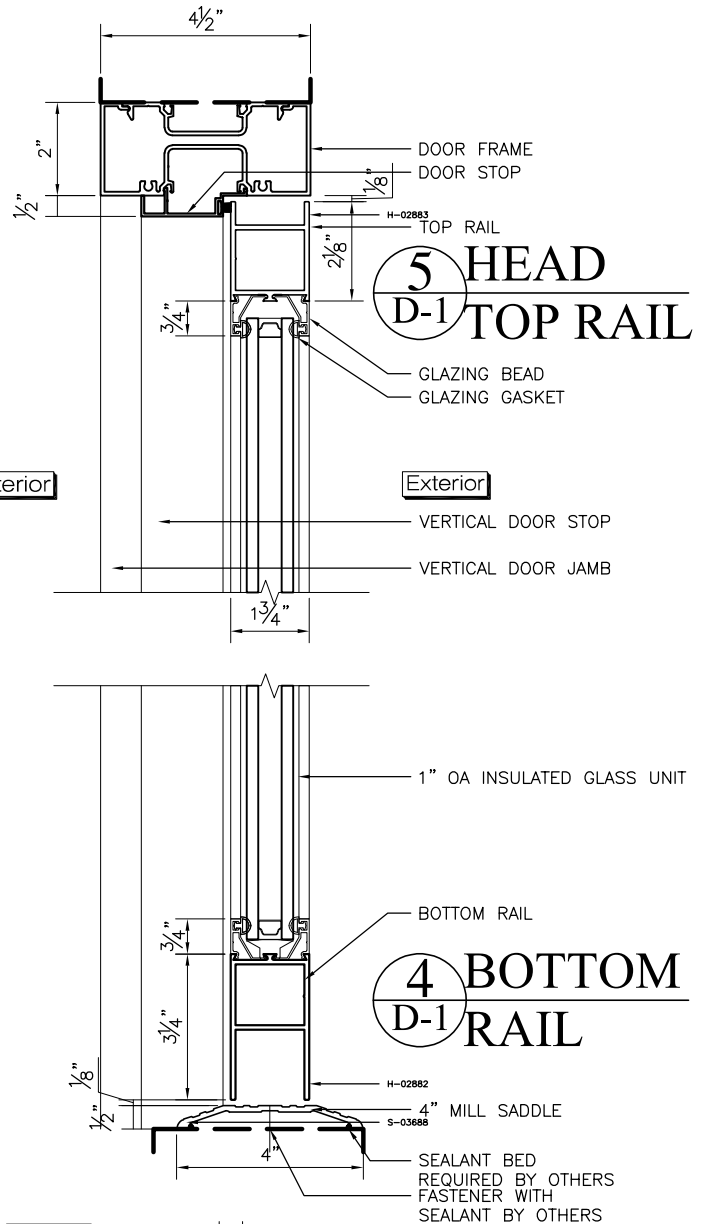


D200, PAIR SWING-OUT NARROW STILE DOOR
 FG451, 2" X 4 1/2" NON-THERMAL FRAME
 1" GLAZING SETUP



1 JAMB
D-1 STILE

2 MEETING
D-1 STILE

3 JAMB
D-1 STILE



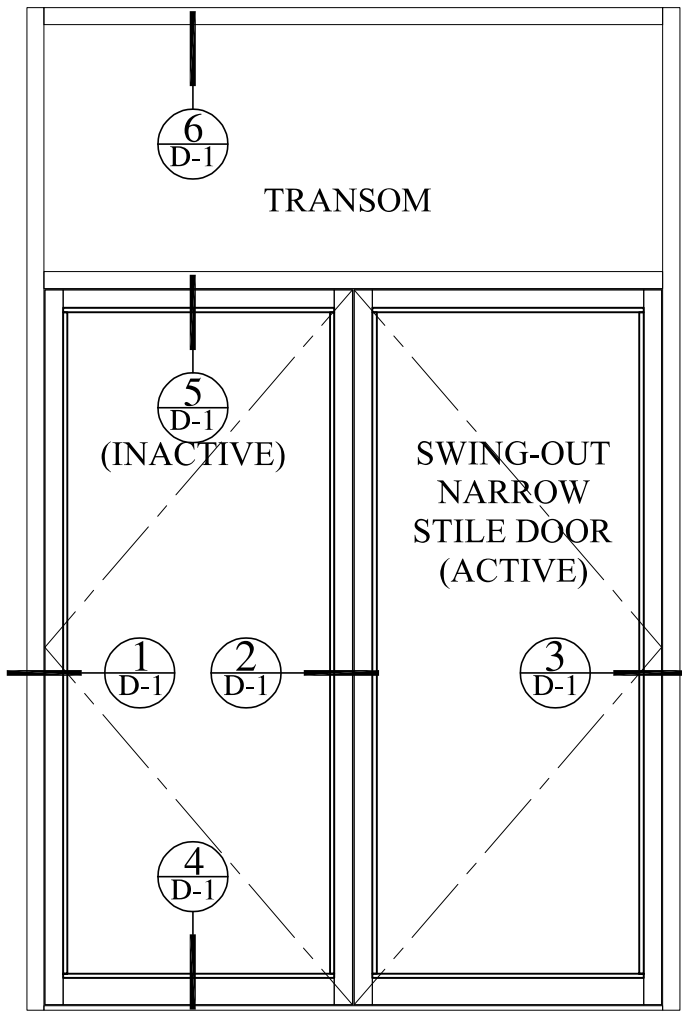
GAMCO CORPORATION
 MANUFACTURERS OF FENESTRATION PRODUCTS
 131-10 MAPLE AVE. FLUSHING, N.Y. 11355
 TEL: (718)359-8833 FAX: (718)359-8661
 info@gamcocorp.com www.gamcocorp.com

SCALE: 3" = 1'-0"

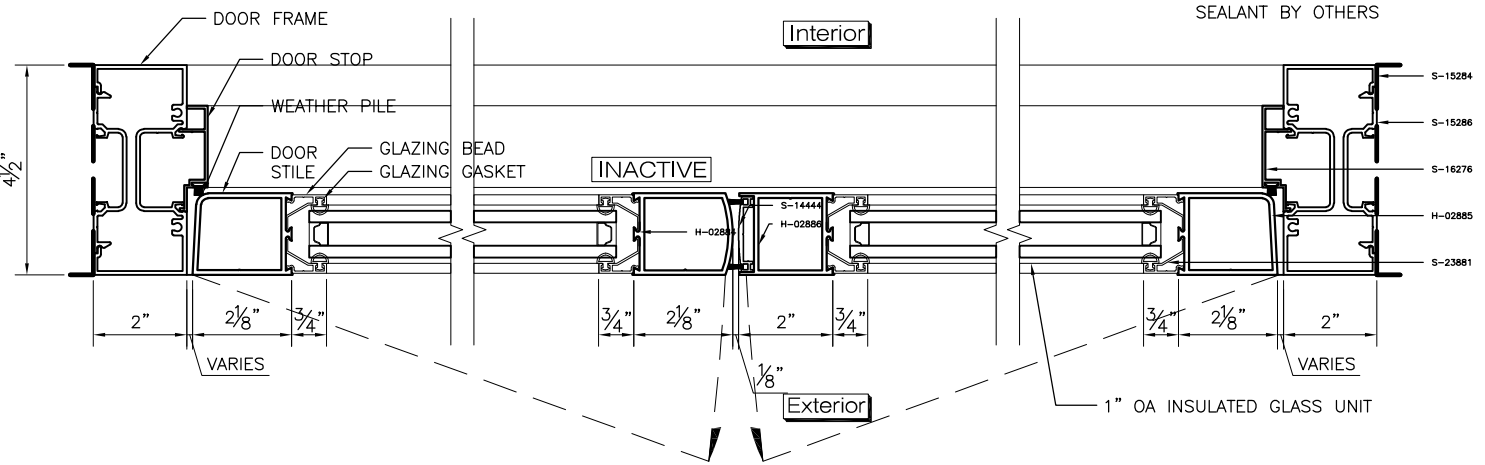
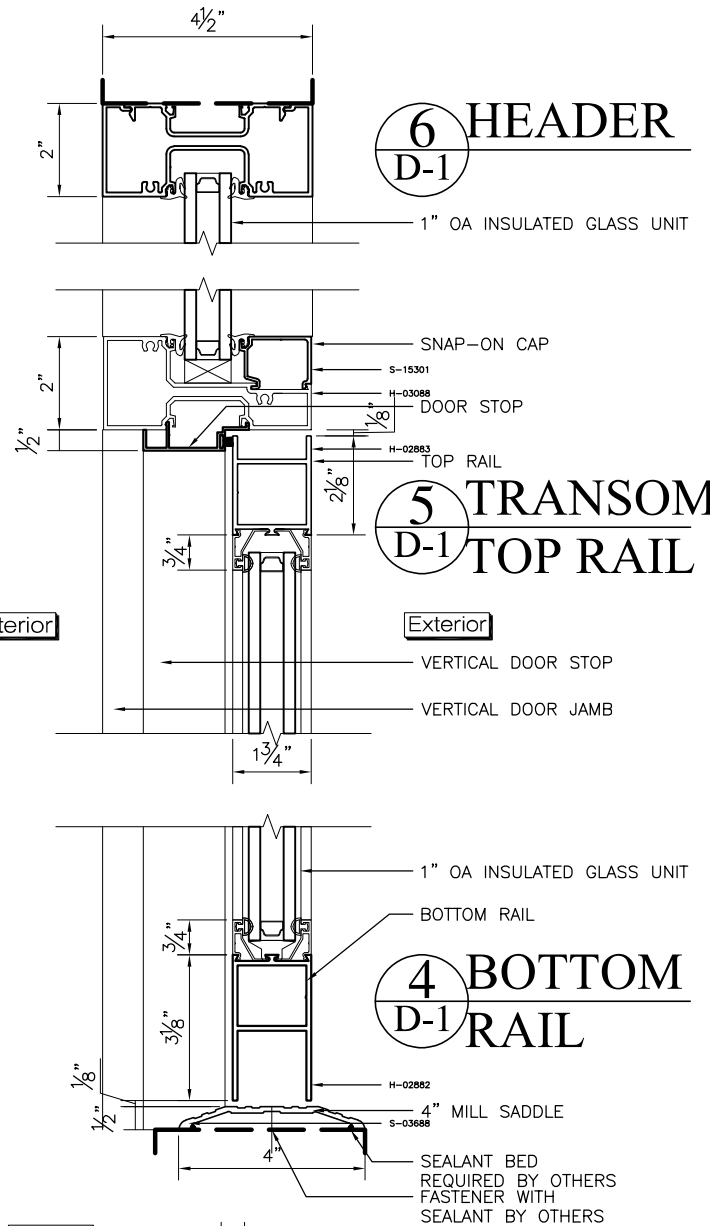
VERSION: 001

DATE: 03/17/2026

SHEET #:
 D200-PF-1"
 D-1



D200, PAIR SWING-OUT NARROW STILE DOOR
 FG451, 2" X 4 1/2" NON-THERMAL FRAME; TRANSOM
 1" GLAZING SETUP



1 JAMB
 D-1 STILE

2 MEETING
 D-1 STILE

3 JAMB
 D-1 STILE



GAMCO CORPORATION
 MANUFACTURERS OF FENESTRATION PRODUCTS
 131-10 MAPLE AVE. FLUSHING, N.Y. 11355
 TEL: (718)359-8833 FAX: (718)359-8661
 info@gamcocorp.com www.gamcocorp.com

SCALE: 3" = 1'-0"

VERSION: 001

DATE: 03/17/2026

SHEET #:
D200-PT-1"
 D-1