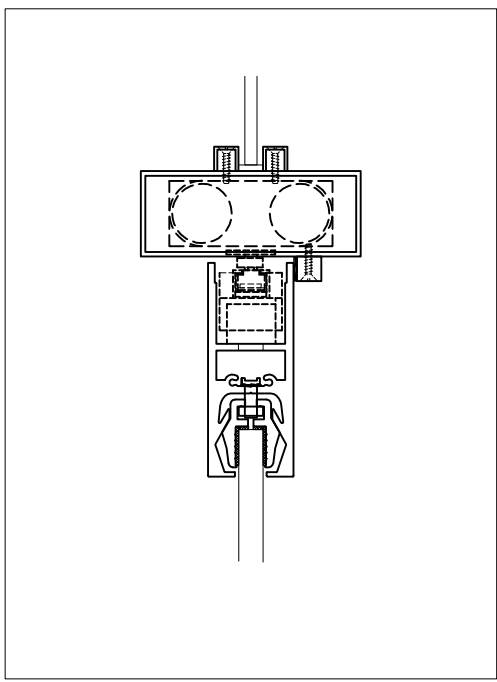
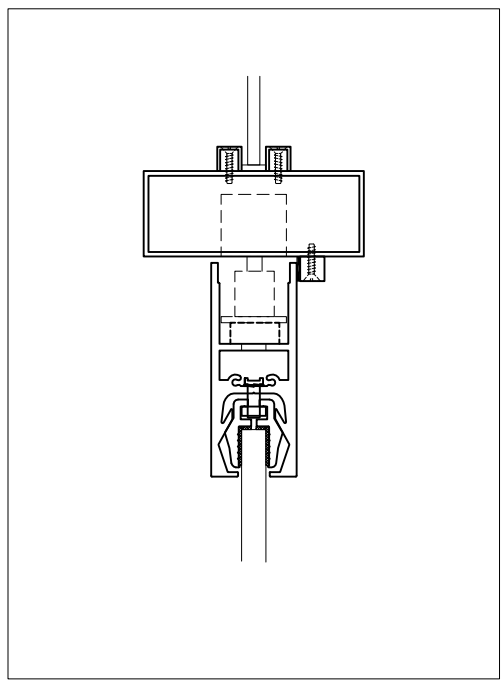


— T O P S H O E / P A T C H F I T T I N G



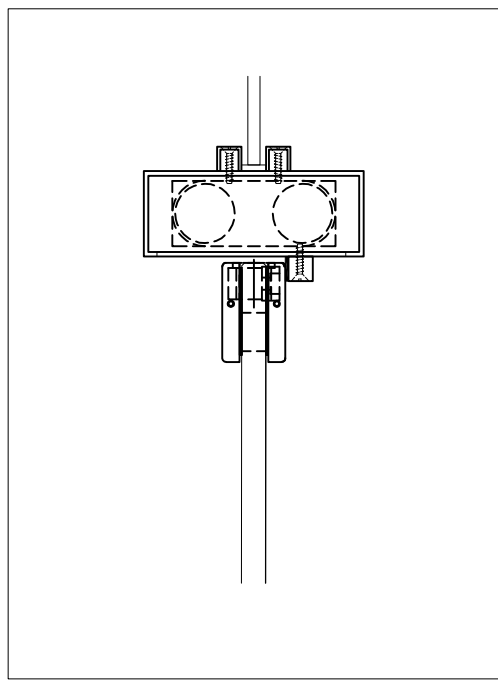
A

TOP SHOE / CONCEALED OVER
CLOSER TRANSOM



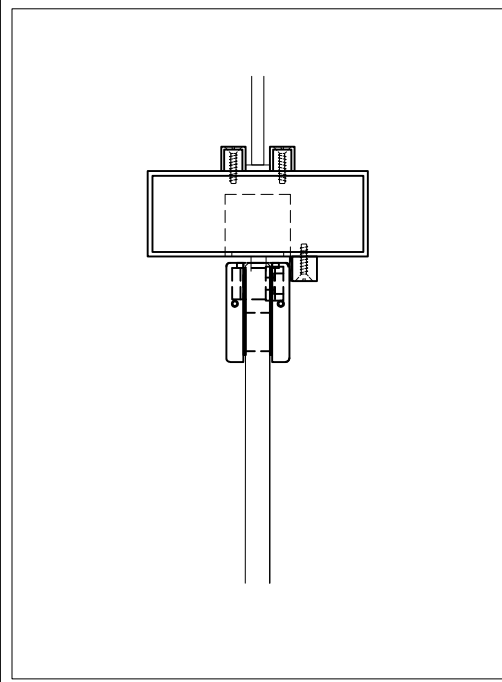
B

TOP SHOE / WALK BEAM
TRANSOM



C

PATCH FITTING / CONCEALED
OVER CLOSER TRANSOM



D

PATCH FITTING / WALK BEAM
TRANSOM