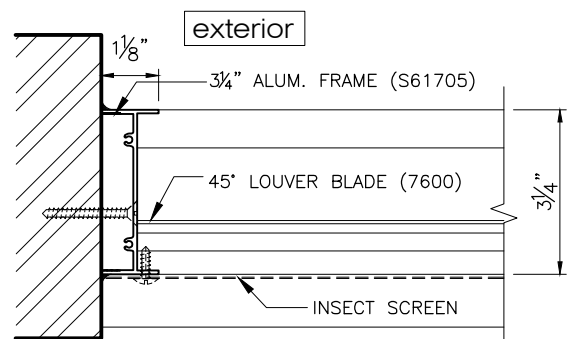
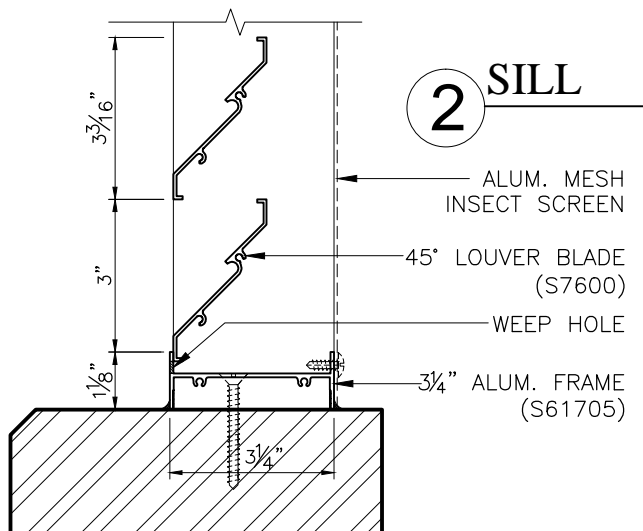
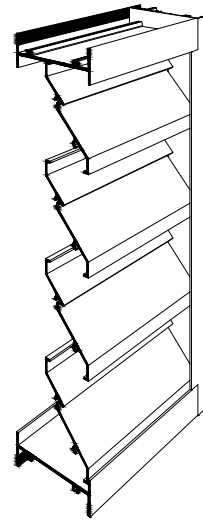
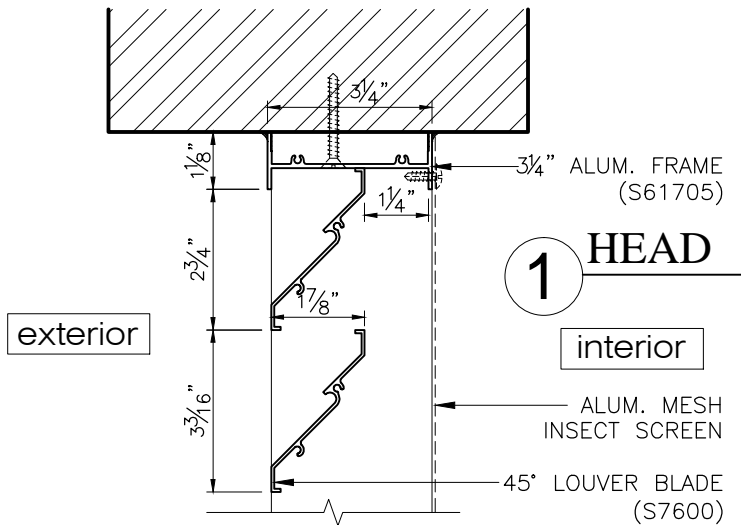


## L-325 SERIES LOUVER (KM)



SHEET #

Drawn by: C. Chan

Customer

Revisions

Checked by: Howard N.

No.	Date	Description

Date: 11/17/14

Project :

Scale: 1/4" : 1"



**GAMCO CORPORATION**

MANUFACTURERS OF FENESTRATION PRODUCTS

131-10 MAPLE AVE. FLUSHING, N.Y.11355

TEL: (718)359-8833 FAX: (718)359-8661

info@gamcocorp.com www.gamcocorp.com