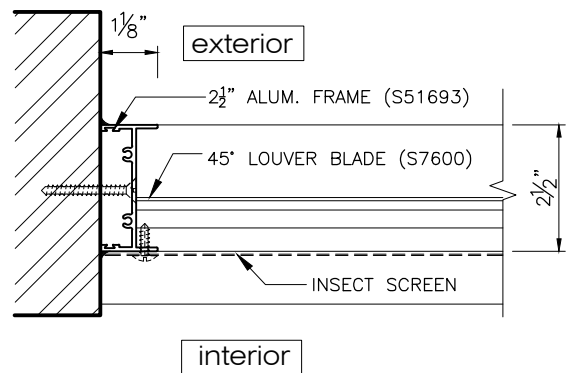
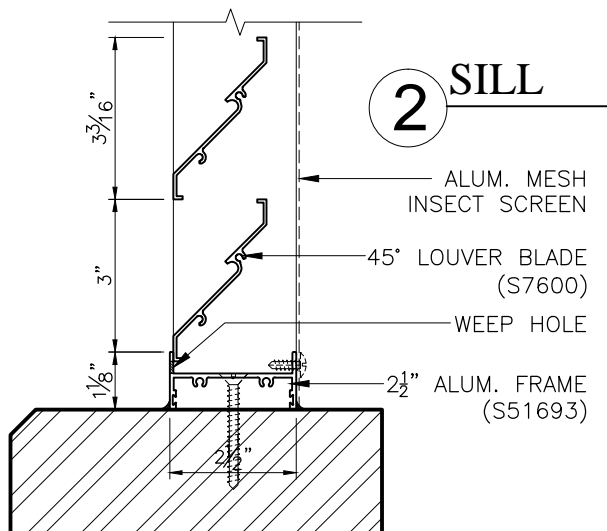
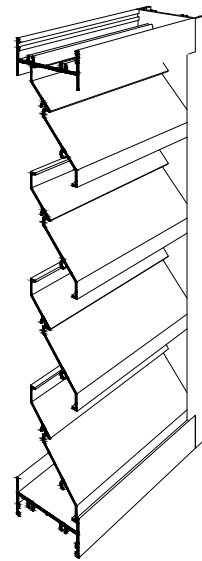
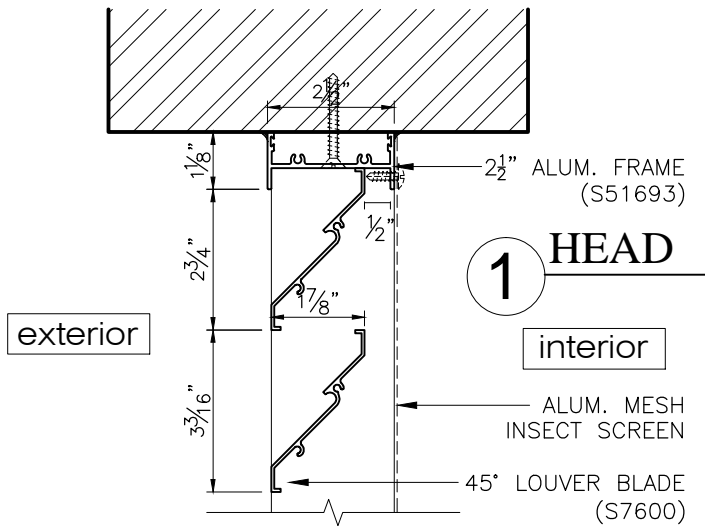


L-250 SERIES LOUVER (KM)



SHEET #	Drawn by:	Customer	Revisions		
	Checked by:		No.	Date	Description
	Date:				
	Scale:				
	C. Chan				
	Howard N.				
	11/17/14	Project :			
	1/4" : 1"				



GAMCO CORPORATION
 MANUFACTURERS OF FENESTRATION PRODUCTS
 131-10 MAPLE AVE. FLUSHING, N.Y. 11355
 TEL: (718)359-8833 FAX: (718)359-8661
 info@gamcocorp.com www.gamcocorp.com