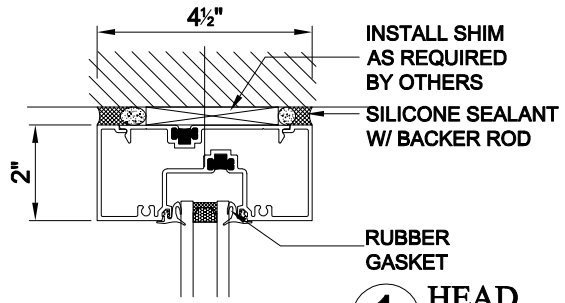
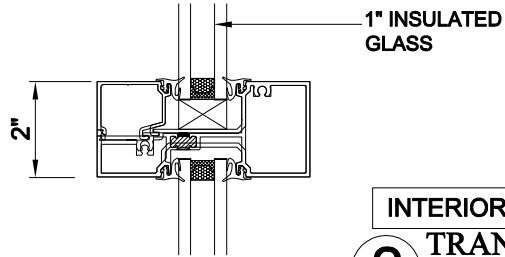


FG451 SERIES

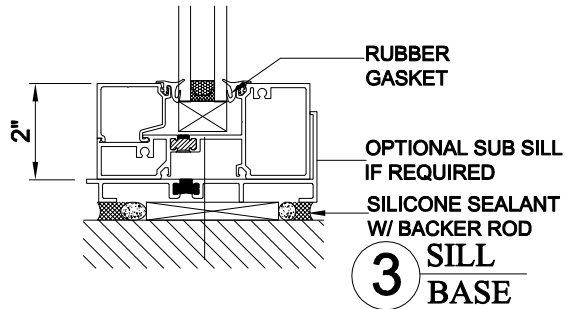


1 HEAD

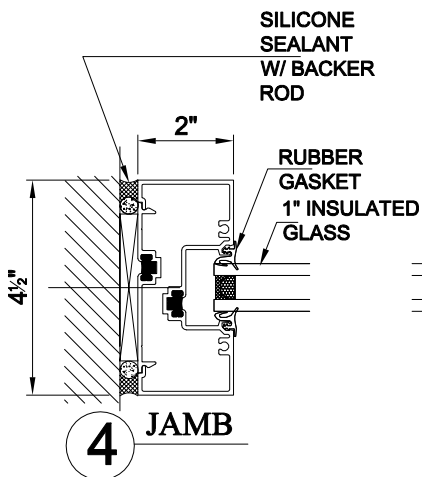


INTERIOR
2 TRANSCOM
SILL

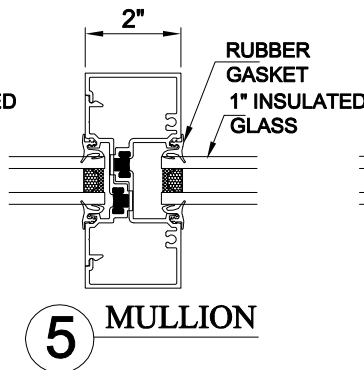
EXTERIOR



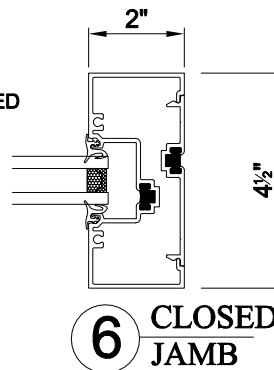
3 SILL
BASE



4 JAMB



5 MULLION



6 CLOSED
JAMB

SHEET #

Drawn by: **K. S. Lee**
Checked by: **C. Chan**
Date: **11-16-18**
Scale: **1/4" : 1"**

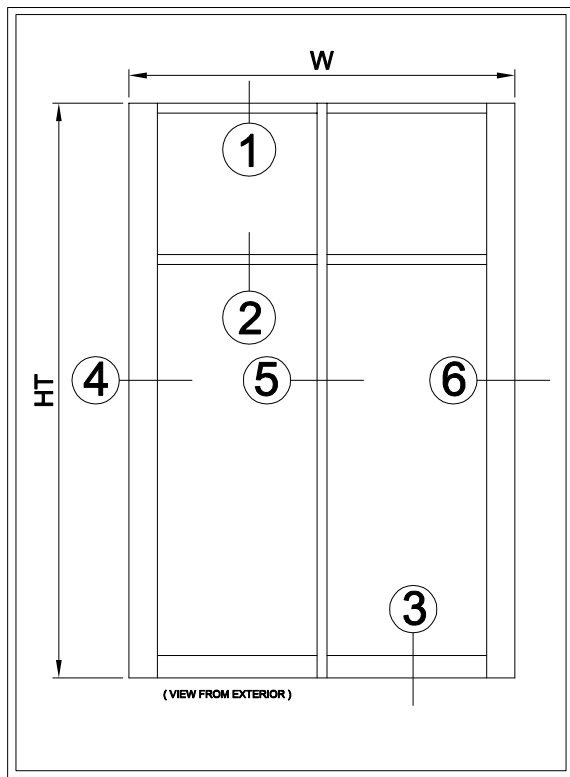
Customer
Project :

Revisions

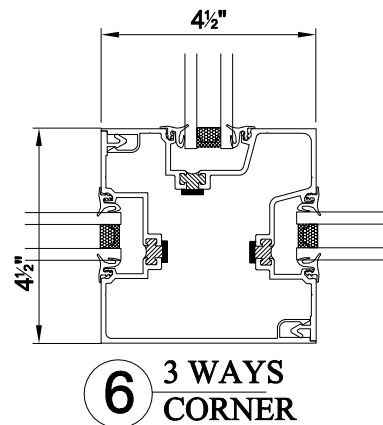
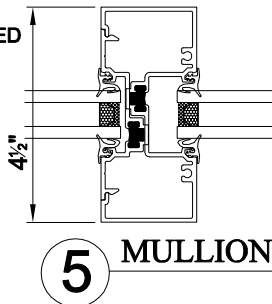
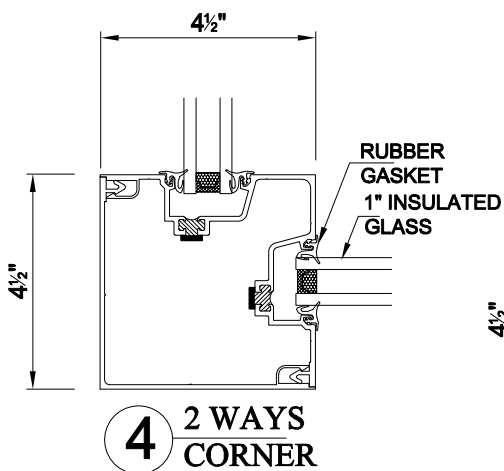
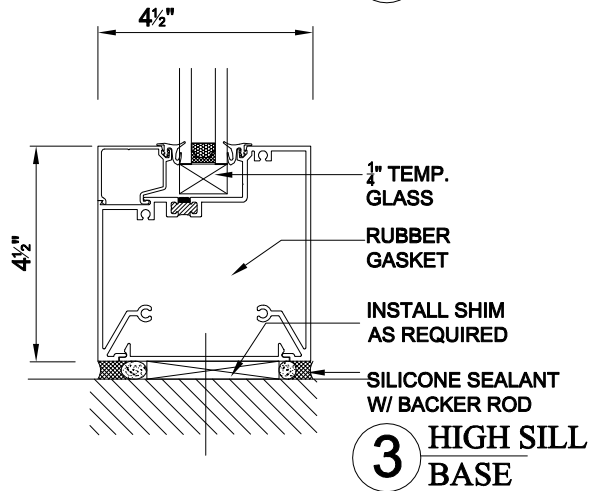
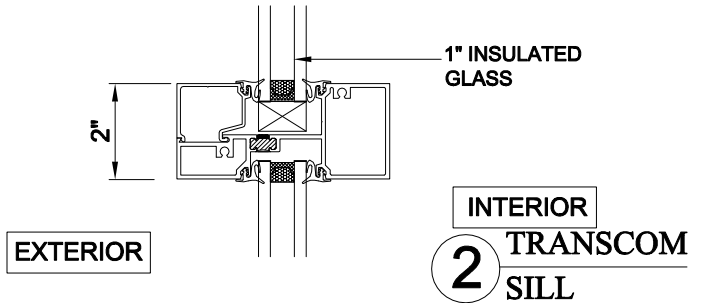
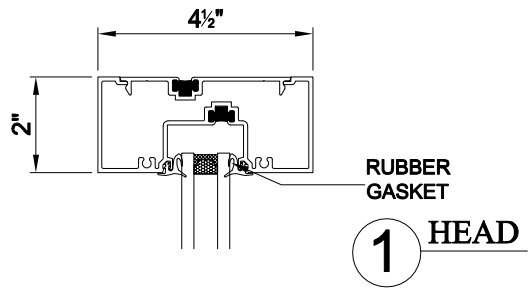
No.	Date	Description




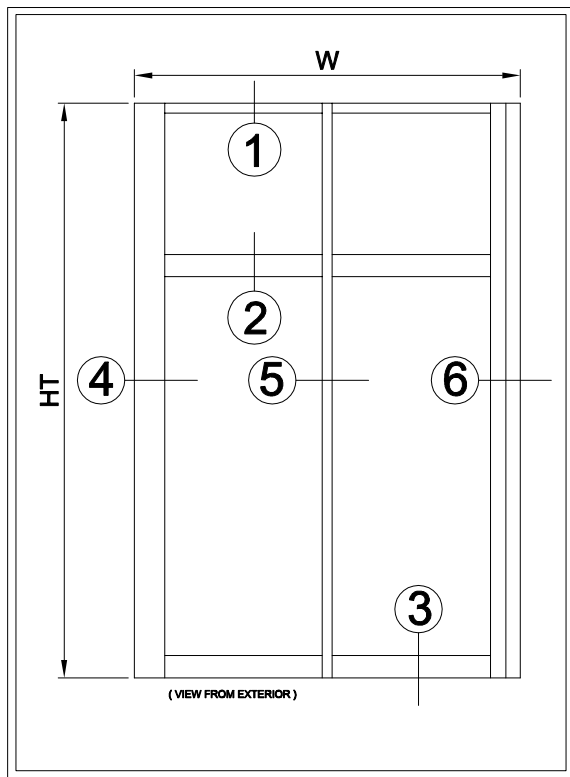
GAMCO CORPORATION
MANUFACTURERS OF FENESTRATION PRODUCTS
131-10 MAPLE AVE. FLUSHING, N.Y. 11355
TEL: (718)359-8833 FAX: (718)359-8661
info@gamcocorp.com www.gamcocorp.com



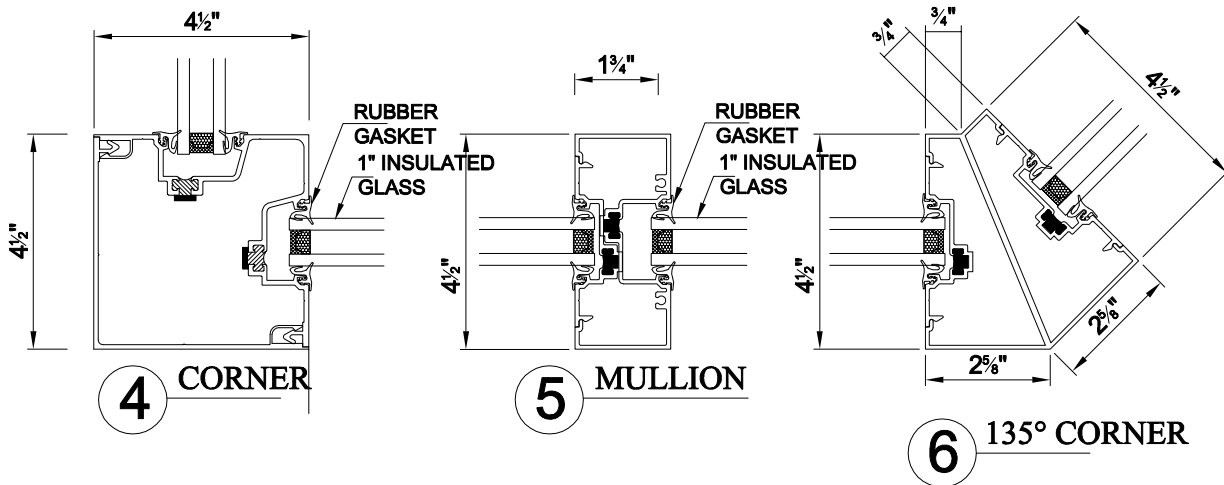
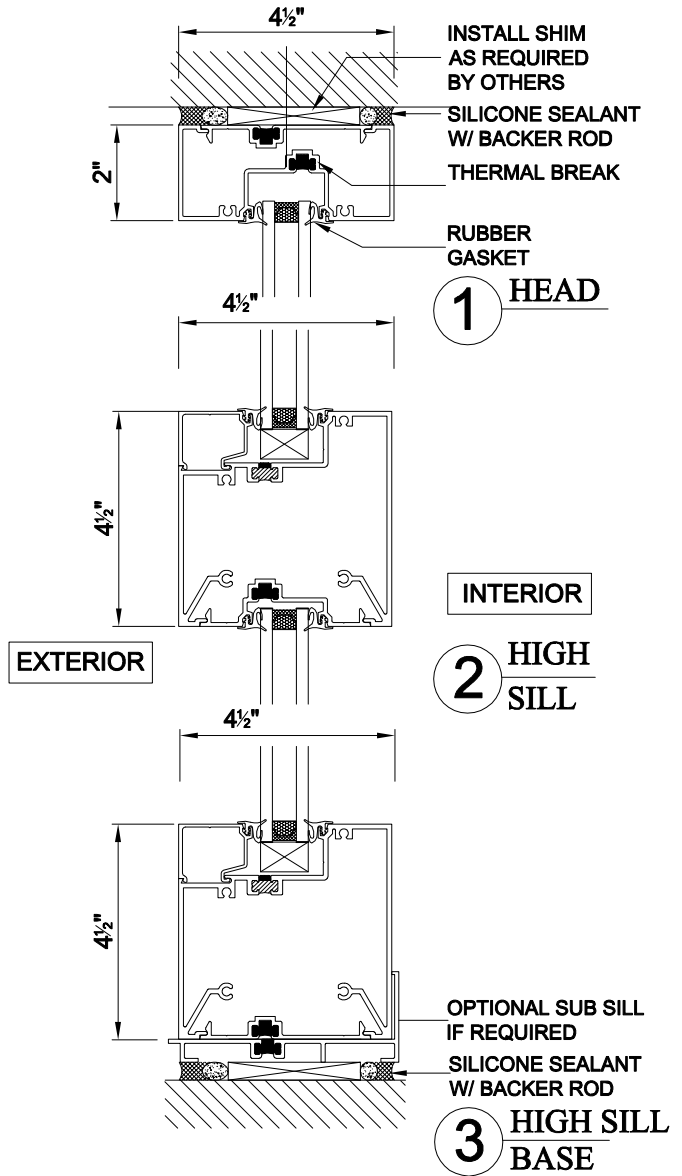
FG451 SERIES



SHEET #	Drawn by: K. S. Lee	Customer	Revisions		
	Checked by: C. Chan		No.	Date	Description
	Date: 11-16-18				
	Scale: 1/4" : 1"				
	Project :		 GAMCO CORPORATION MANUFACTURERS OF FENESTRATION PRODUCTS 131-10 MAPLE AVE. FLUSHING, N.Y. 11355 TEL: (718)359-8833 FAX: (718)359-8661 info@gamcocorp.com www.gamcocorp.com		



FG451 SERIES



SHEET #	Drawn by: K. S. Lee	Customer	Revisions		
	Checked by: C. Chan		No.	Date	Description
	Date: 11-16-18				
	Scale: 1/4" : 1"				
	Project :				



GAMCO CORPORATION
 MANUFACTURERS OF FENESTRATION PRODUCTS
 131-10 MAPLE AVE. FLUSHING, N.Y. 11355
 TEL: (718)359-8833 FAX: (718)359-8661
 info@gamcocorp.com www.gamcocorp.com