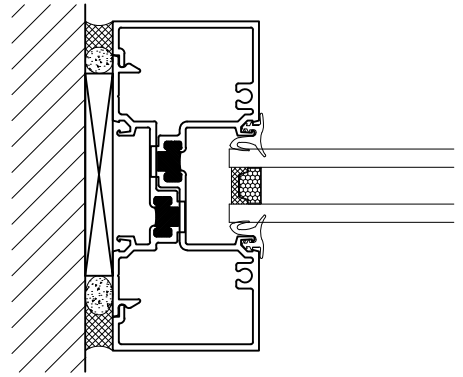


**A**

OPEN POCKET W/  
FLAT FILLER



**B**

OPEN POCKET W/  
POCKET FILLER