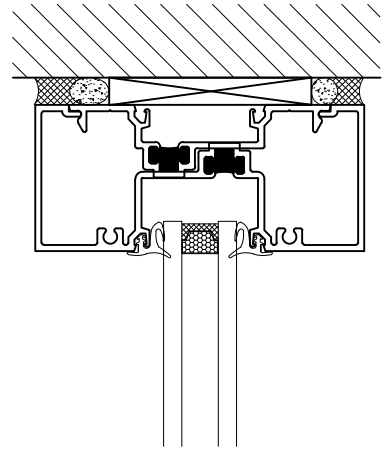


A

OPEN POCKET W/
SCREW SPLINE



B

OPEN POCKET W/
POCKET FILLER