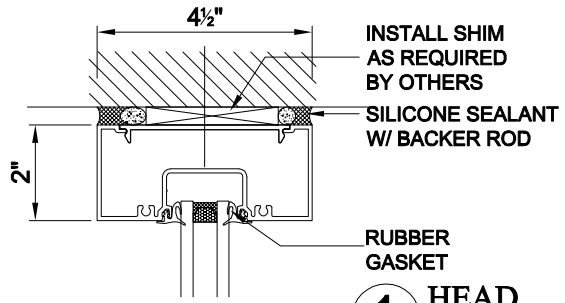
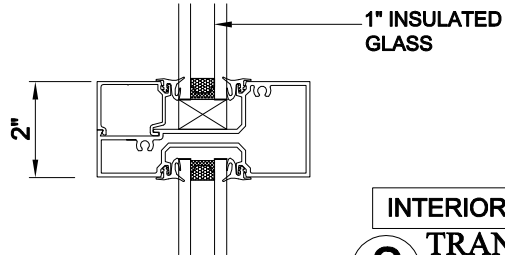


FG451 SERIES

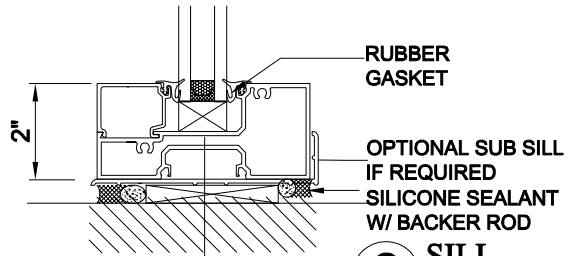


1 HEAD

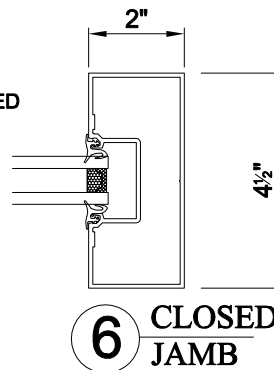
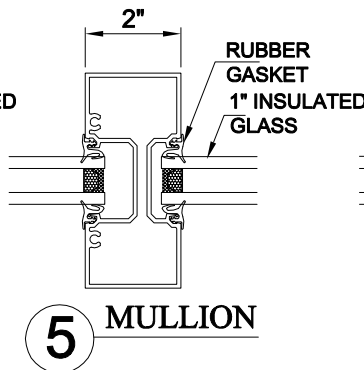
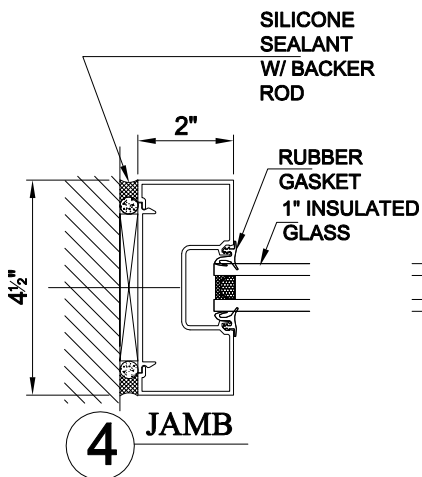


INTERIOR
2 TRANSCOM
SILL

EXTERIOR



3 SILL
BASE



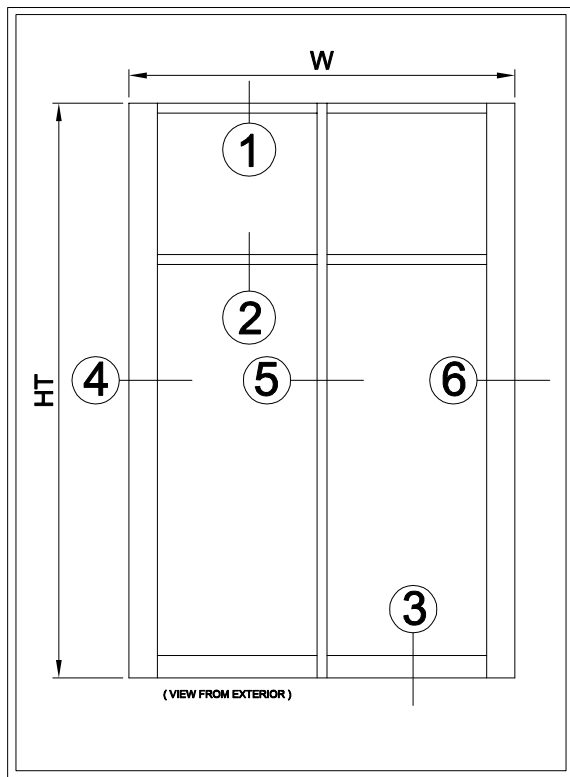
SHEET #	Drawn by: K. S. Lee	Customer
	Checked by: C. Chan	
	Date: 11-16-18	
	Scale: 1/4" : 1"	

Project :

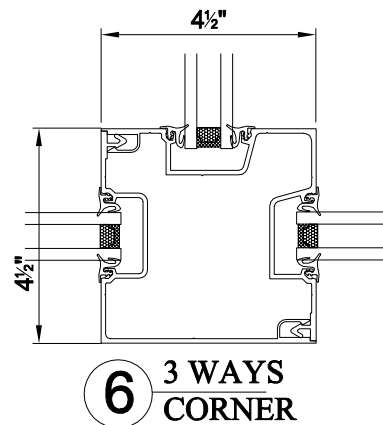
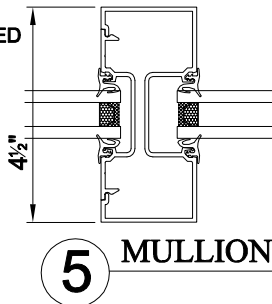
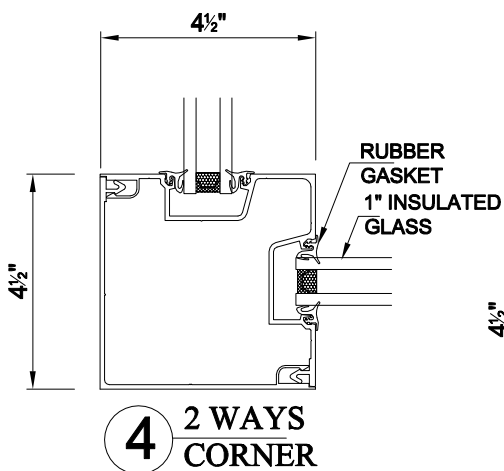
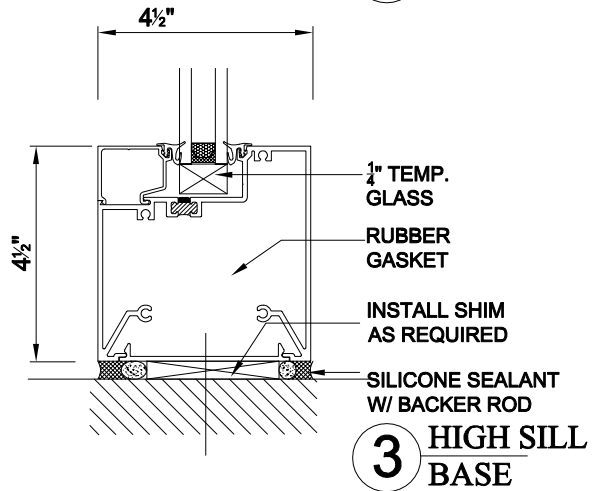
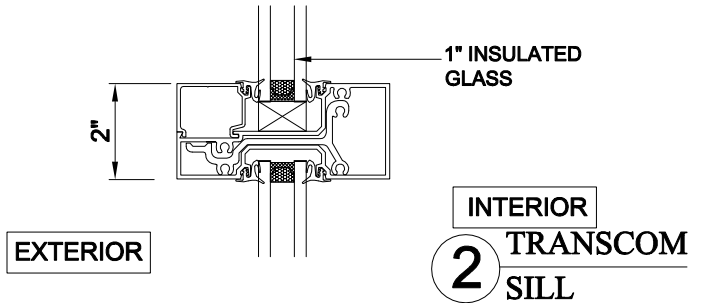
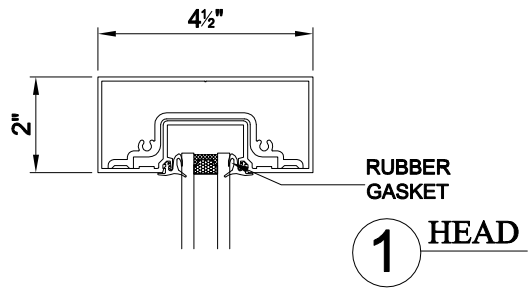
Revisions		
No.	Date	Description




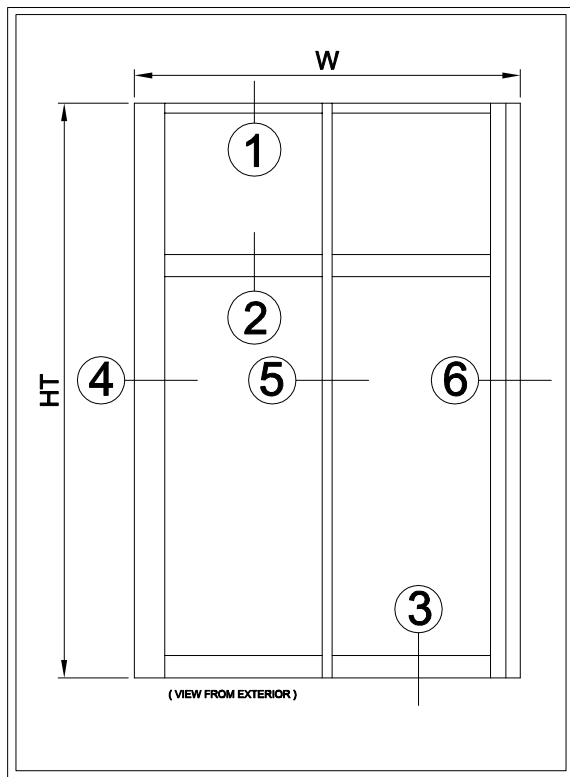
GAMCO CORPORATION
 MANUFACTURERS OF FENESTRATION PRODUCTS
 131-10 MAPLE AVE. FLUSHING, N.Y. 11355
 TEL: (718)359-8833 FAX: (718)359-8661
 info@gamcocorp.com www.gamcocorp.com



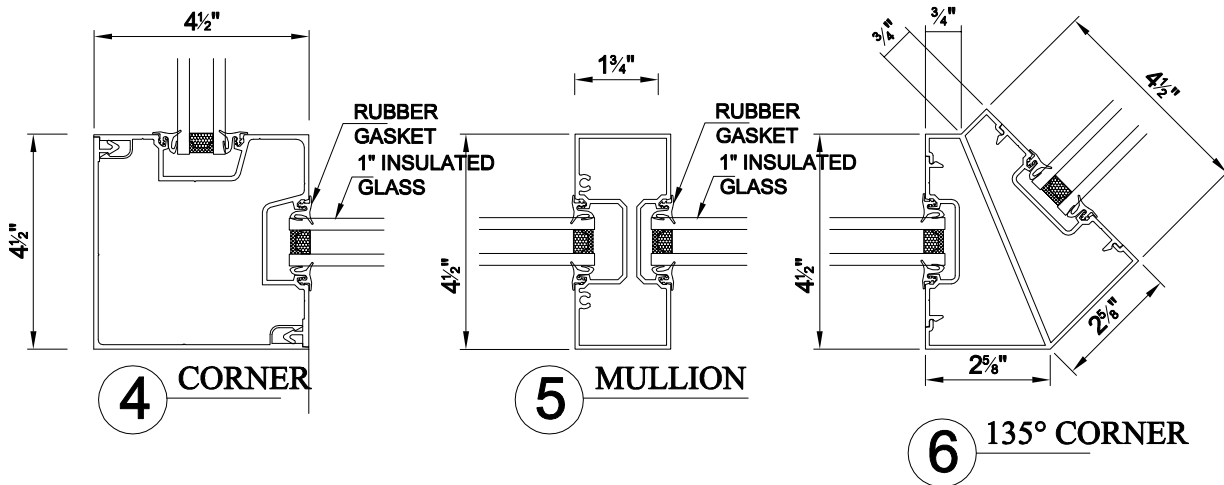
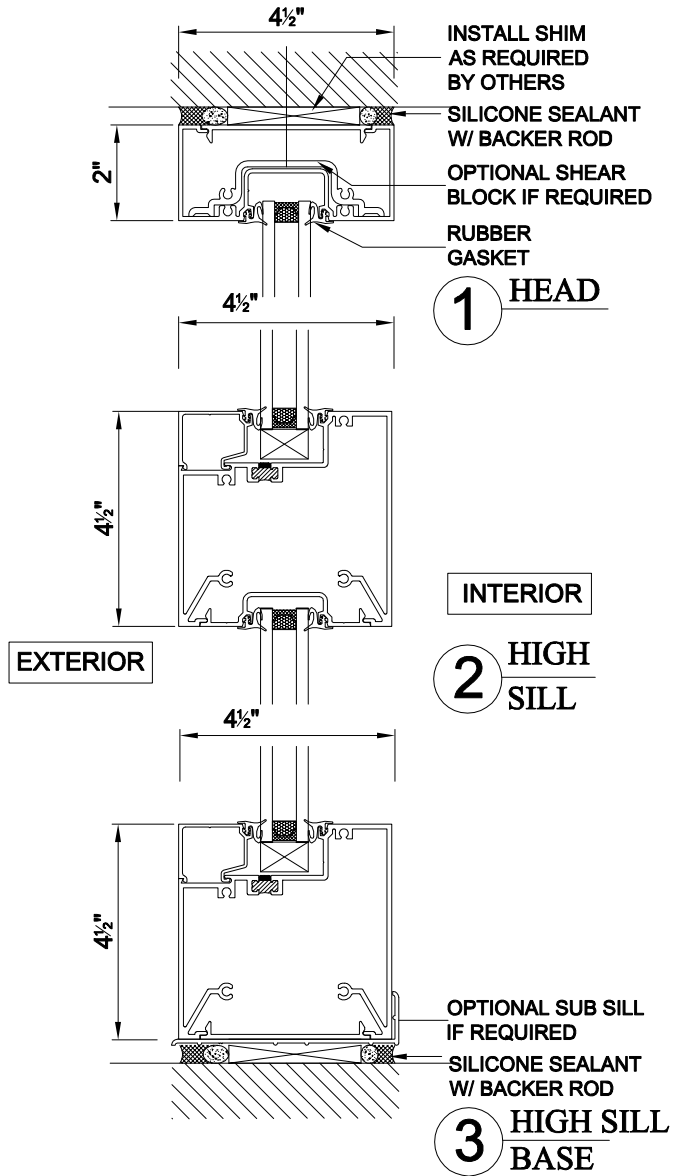
FG451 SERIES




SHEET #	Drawn by: K. S. Lee	Customer	Revisions		
	Checked by: C. Chan		No.	Date	Description
	Date: 11-16-18				
	Scale: 1/4" : 1"				
	Project :		 GAMCO CORPORATION MANUFACTURERS OF FENESTRATION PRODUCTS 131-10 MAPLE AVE. FLUSHING, N.Y. 11355 TEL: (718)359-8833 FAX: (718)359-8661 info@gamcocorp.com www.gamcocorp.com		



FG451 SERIES



SHEET #	Drawn by: K. S. Lee	Customer	Revisions		
	Checked by: C. Chan		No.	Date	Description
	Date: 11-16-18				
	Scale: 1/4" : 1"				
	Project :		 GAMCO CORPORATION MANUFACTURERS OF FENESTRATION PRODUCTS 131-10 MAPLE AVE. FLUSHING, N.Y. 11355 TEL: (718)359-8833 FAX: (718)359-8661 info@gamcocorp.com www.gamcocorp.com		