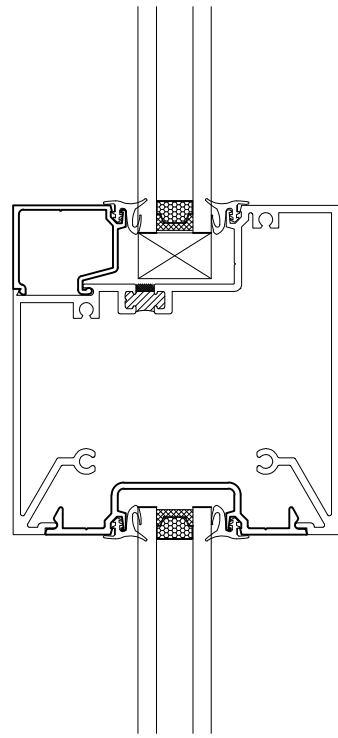


**A**

DOUBLE POCKET TUBULAR



**B**

HIGH SILL W/- POCKET FILLER