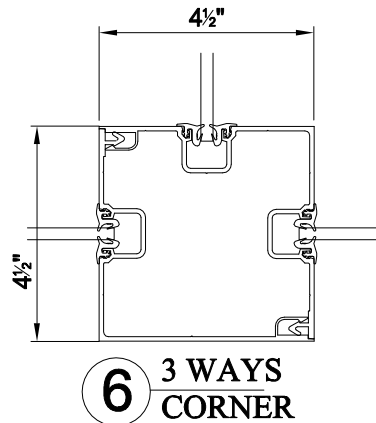
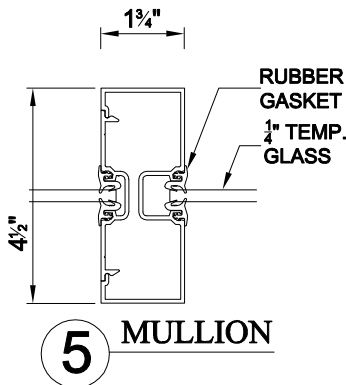
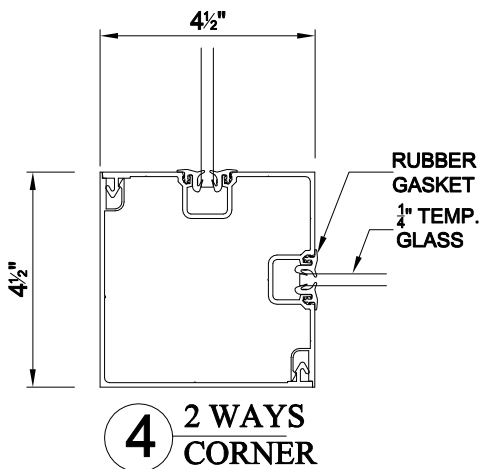
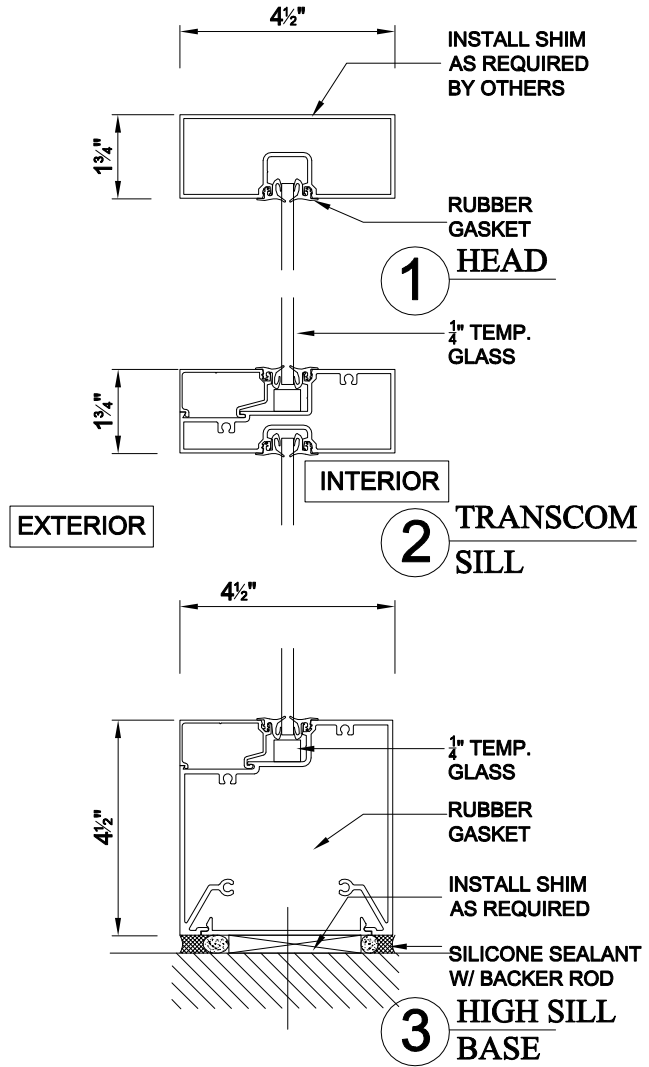

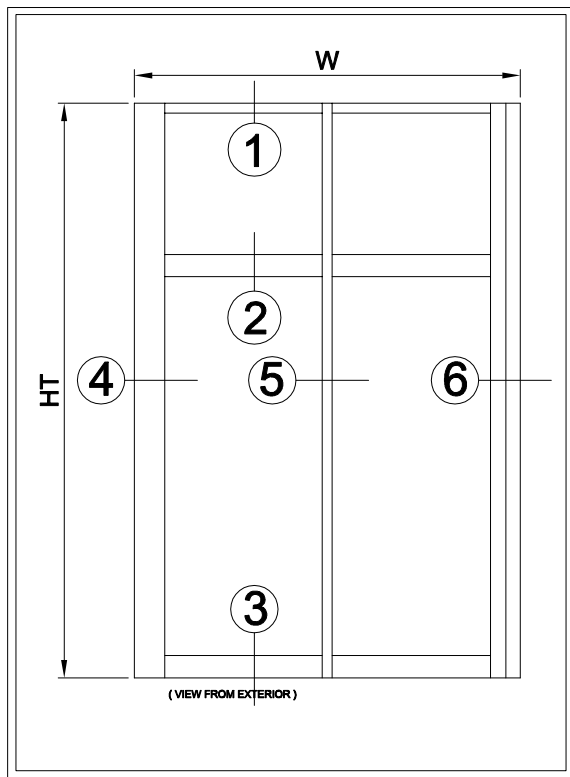


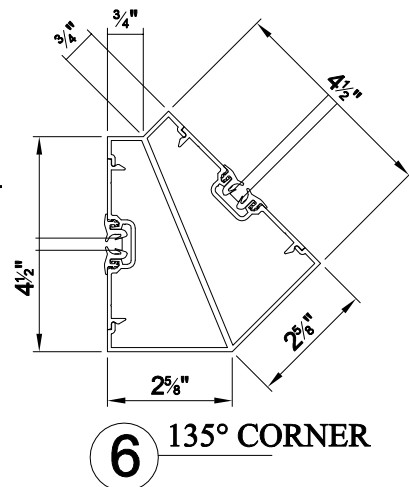
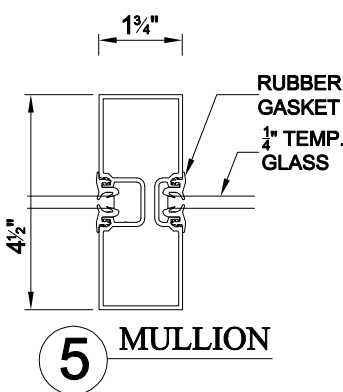
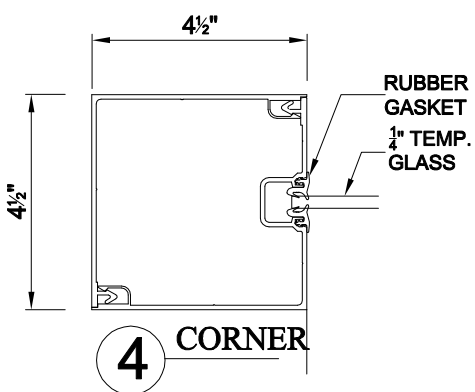
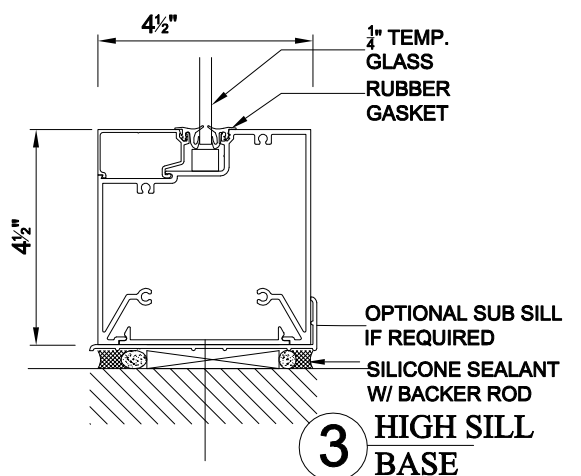
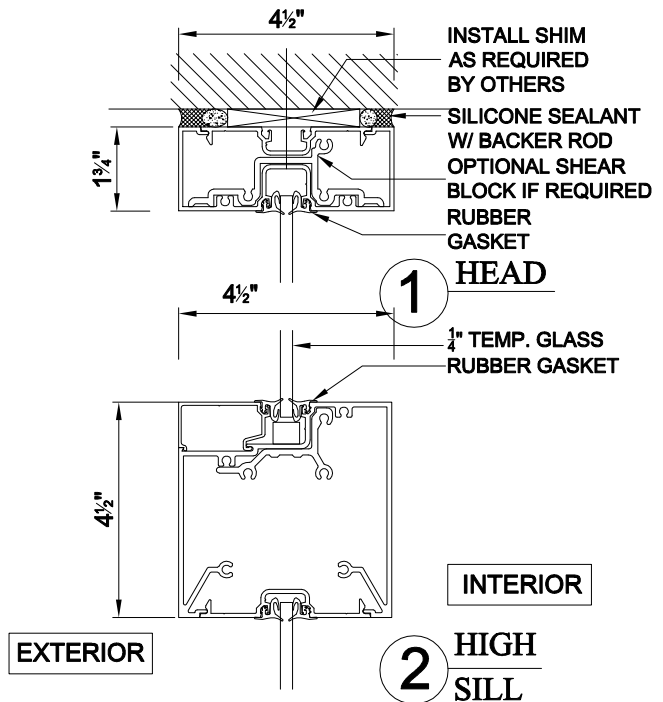
FG450 SERIES




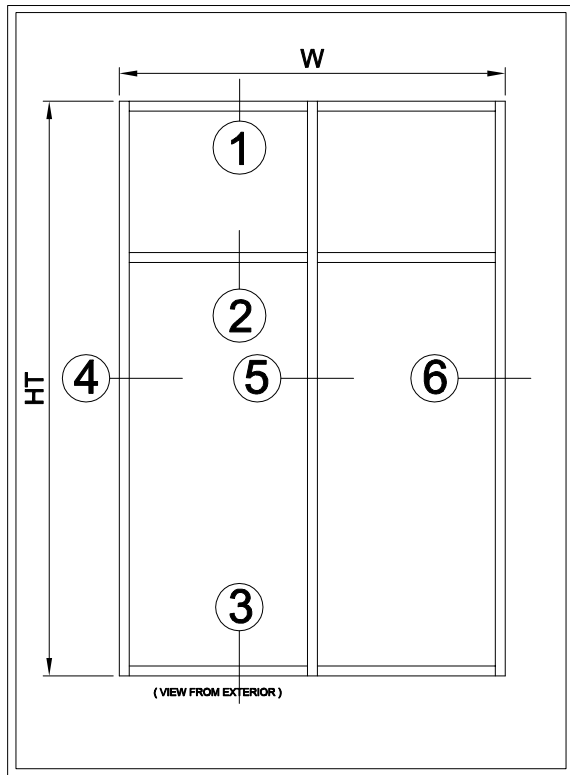
SHEET #	Drawn by: K. S. Lee	Customer	Revisions		
	Checked by: C. Chan		No.	Date	Description
	Date: 11-16-18				
	Scale: 1/4" : 1"				
	Project :		 GAMCO CORPORATION MANUFACTURERS OF FENESTRATION PRODUCTS 131-10 MAPLE AVE. FLUSHING, N.Y. 11355 TEL: (718)359-8833 FAX: (718)359-8661 info@gamcocorp.com www.gamcocorp.com		



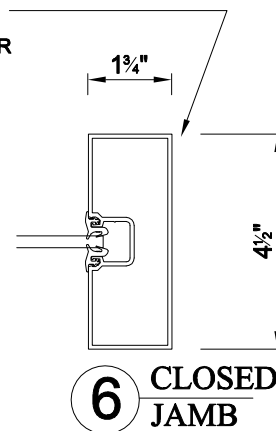
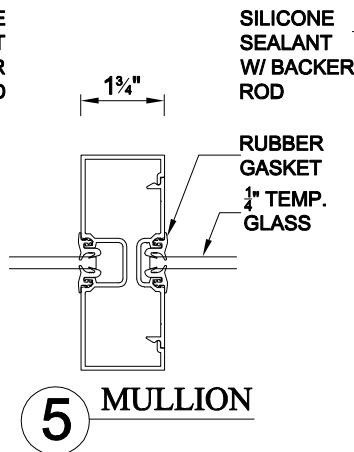
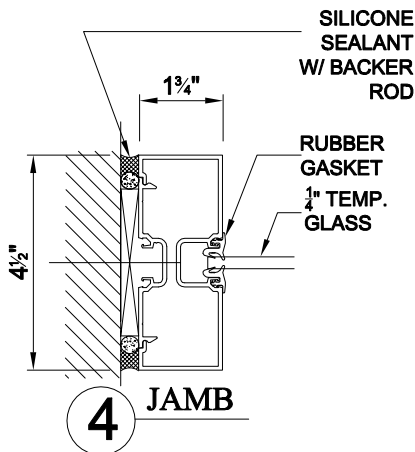
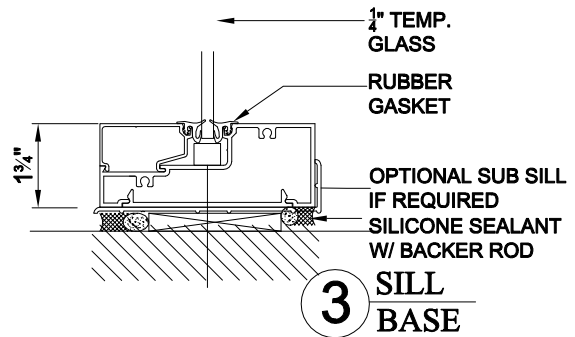
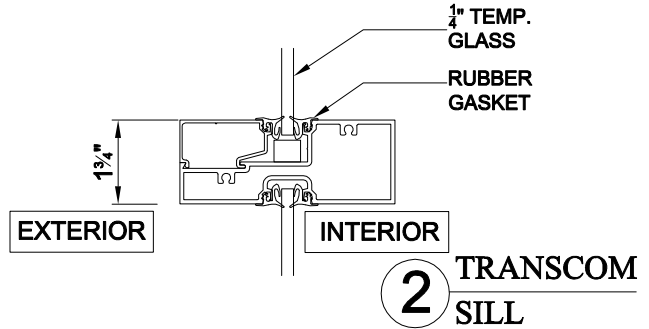
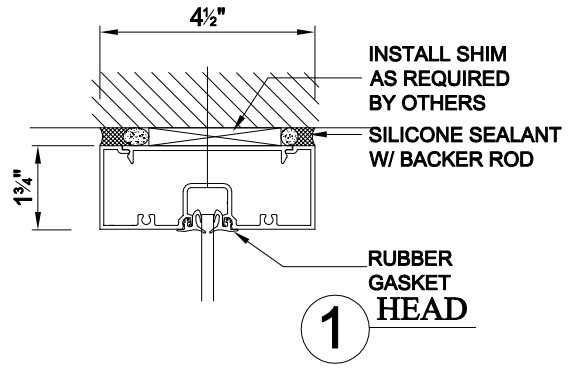
FG450 SERIES




SHEET #	Drawn by: K. S. Lee	Customer	Revisions		
	Checked by: C. Chan		No.	Date	Description
	Date: 11-16-18				
	Scale: 1/4" : 1"				
	Project :		 GAMCO CORPORATION MANUFACTURERS OF FENESTRATION PRODUCTS 131-10 MAPLE AVE. FLUSHING, N.Y. 11355 TEL: (718)359-8833 FAX: (718)359-8661 info@gamcocorp.com www.gamcocorp.com		



FG450 SERIES



SHEET #	Drawn by: K. S. Lee	Customer	Revisions			
	Checked by: C. Chan		No.	Date	Description	
	Date: 11-16-18					
	Scale: 1/4" : 1"					
	Project :		 <p>GAMCO CORPORATION MANUFACTURERS OF FENESTRATION PRODUCTS 131-10 MAPLE AVE. FLUSHING, N.Y. 11355 TEL: (718)359-8833 FAX: (718)359-8661 info@gamcocorp.com www.gamcocorp.com</p>			