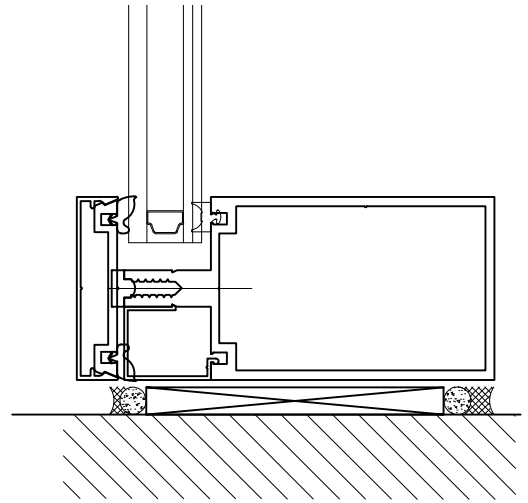


A

SILL BASE W/- F CHANNEL



B

SILL BASE W/- END CAP