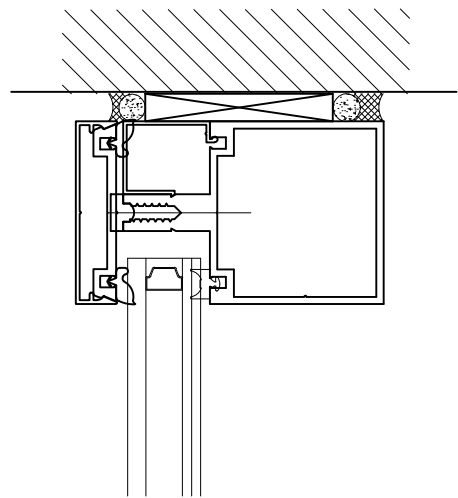


A

HEAD W/- F CHANNEL



B

HEAD W/- END CAP