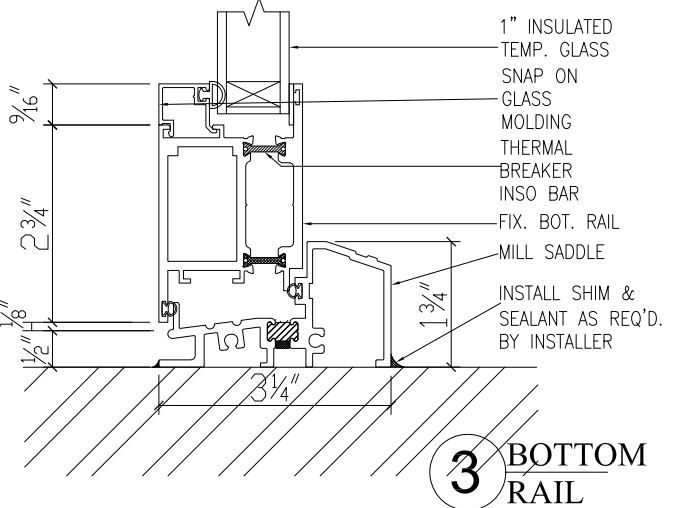
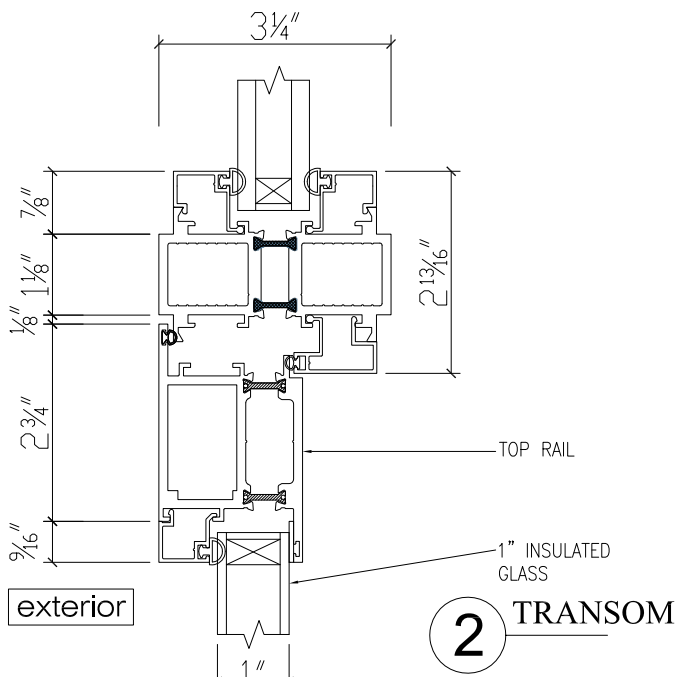
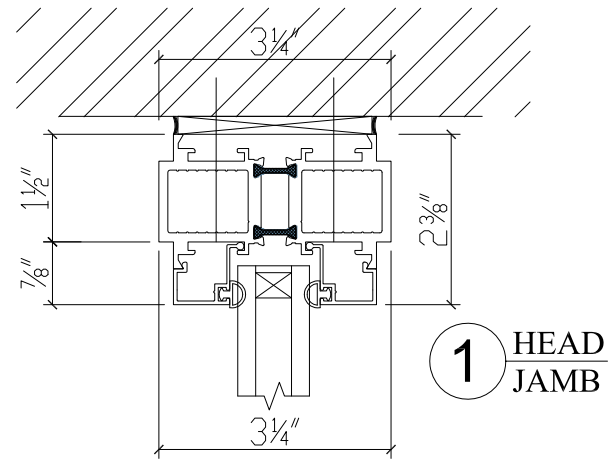
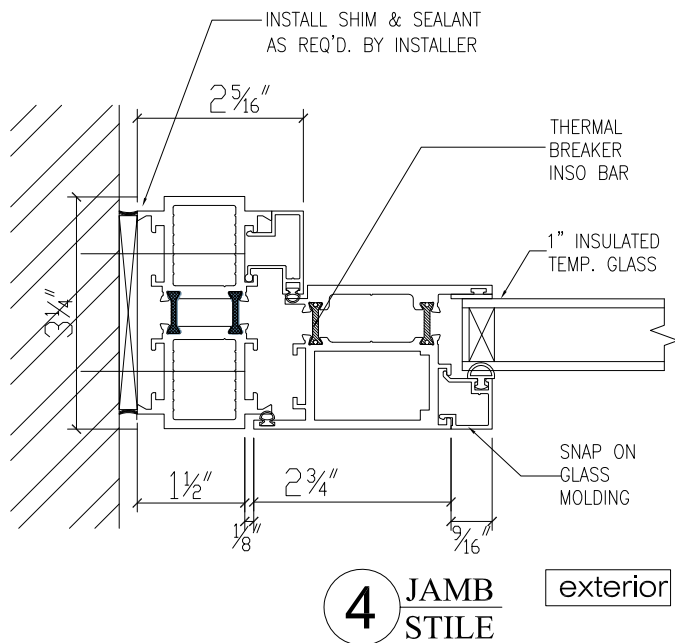



**BD-325 SERIES BALCONY DOOR
SWING - OUT SINGLE DOOR /TRANSOM**



exterior

exterior

SHEET #	Drawn by: K. S. Lee	Customer	Revisions			 GAMCO CORPORATION MANUFACTURERS OF FENESTRATION PRODUCTS 131-10 MAPLE AVE. FLUSHING, N.Y. 11355 TEL: (718)359-8833 FAX: (718)359-8661 info@gamcocorp.com www.gamcocorp.com	
	Checked by: C.CHAN		No.	Date	Description		
	Date:		Project :				
	Scale: N.T.S.						