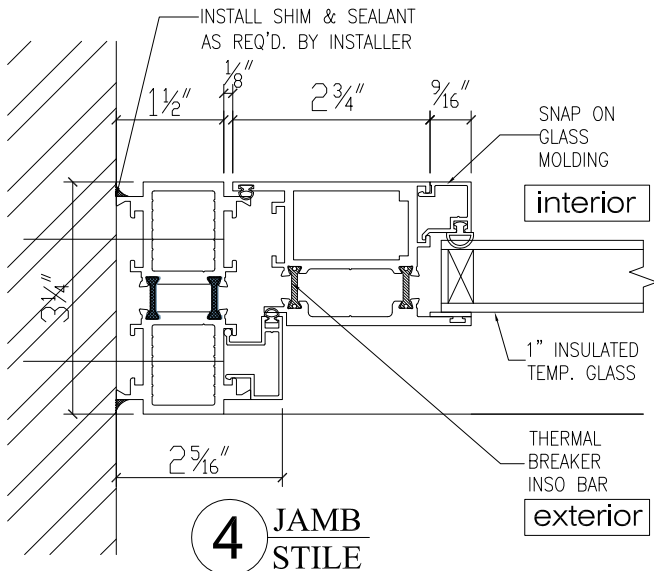
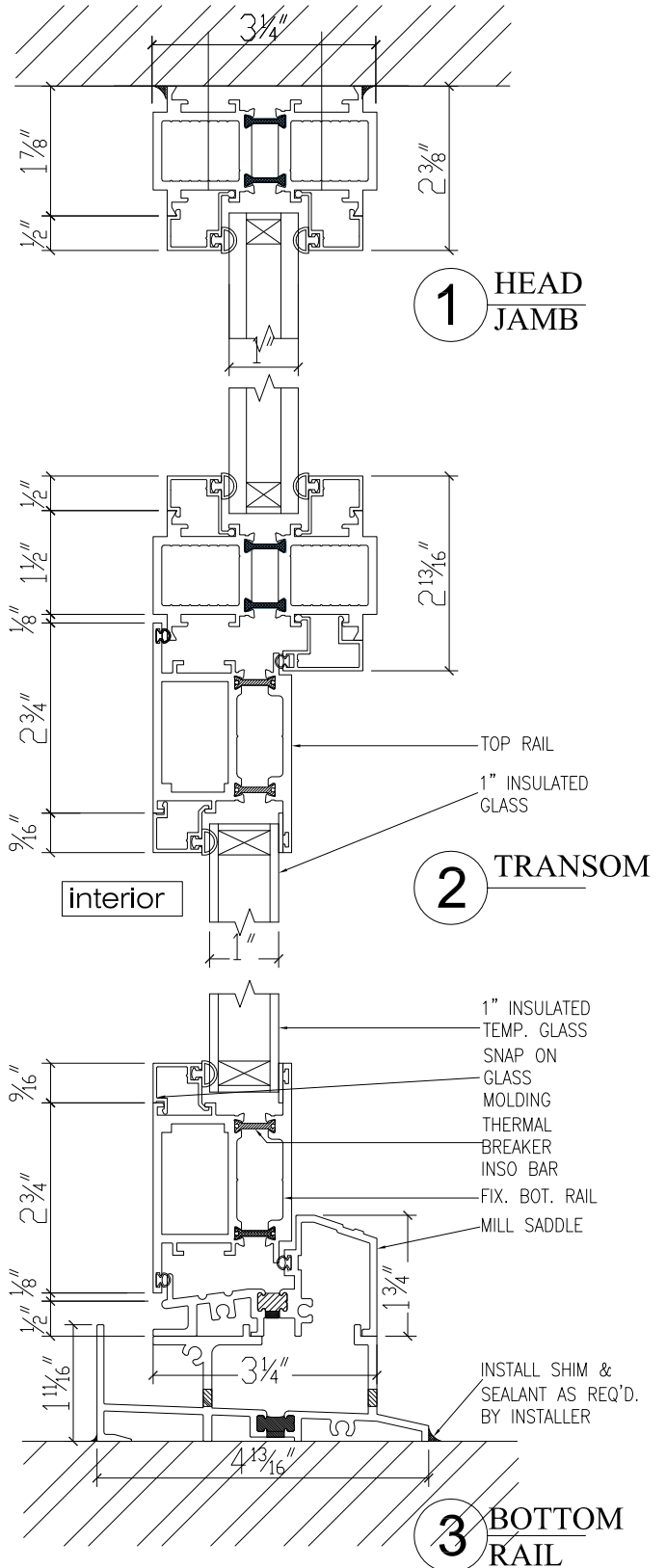


BD-325 SERIES BALCONY DOOR
SWING - IN SINGLE DOOR /TRANSOM



SHEET #	Drawn by: K. S. Lee	Customer	Revisions		
	Checked by: C.CHAN		No.	Date	Description
	Date:				
	Scale: N.T.S.		Project :		



GAMCO CORPORATION
 MANUFACTURERS OF FENESTRATION PRODUCTS
 131-10 MAPLE AVE. FLUSHING, N.Y. 11355
 TEL: (718)359-8833 FAX: (718)359-8661
 info@gamcocorp.com www.gamcocorp.com