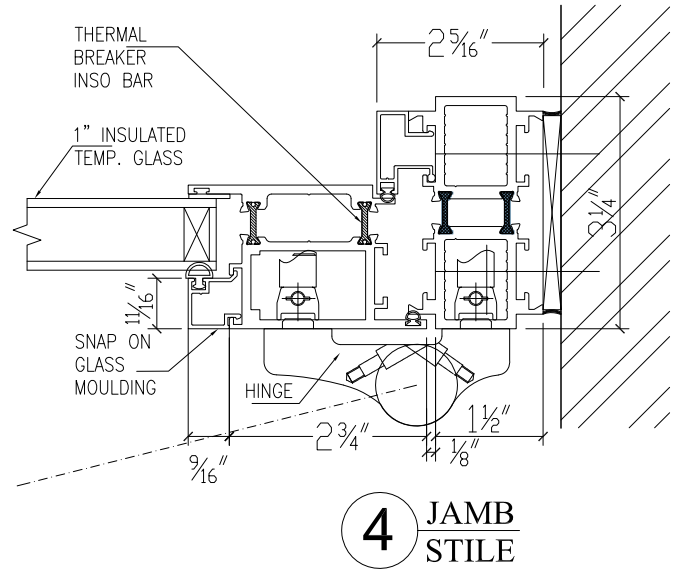
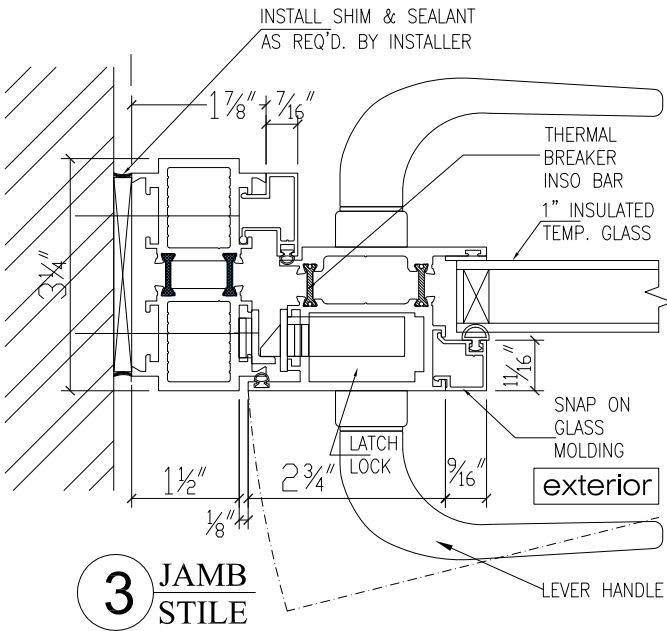
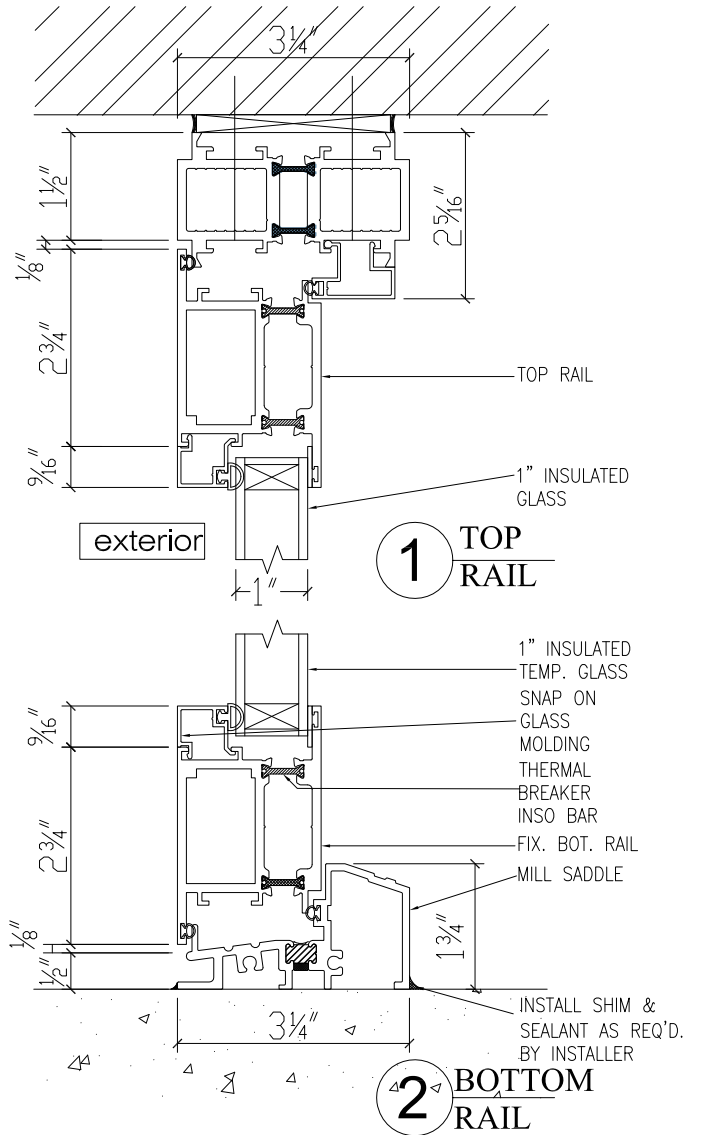


BD-325 SERIES BALCONY DOOR SWING - OUT SINGLE DOOR



SHEET #	Drawn by: C.CHAN	Customer	Revisions		
	Checked by:		No.	Date	Description
	Date:				
	Scale: N.T.S.		Project :		



GAMCO CORPORATION
 MANUFACTURERS OF FENESTRATION PRODUCTS
 131-10 MAPLE AVE. FLUSHING, N.Y. 11355
 TEL: (718)359-8833 FAX: (718)359-8661
 info@gamcocorp.com www.gamcocorp.com