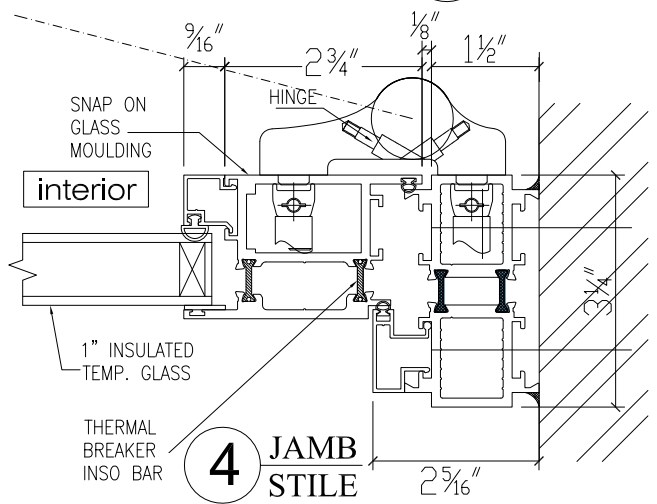
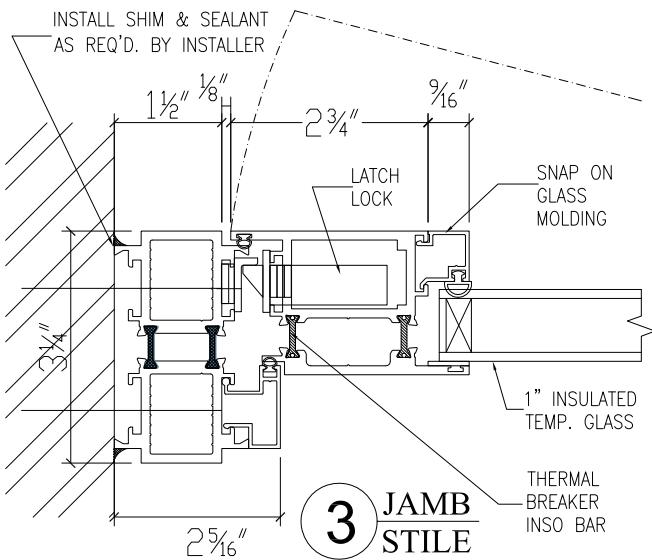
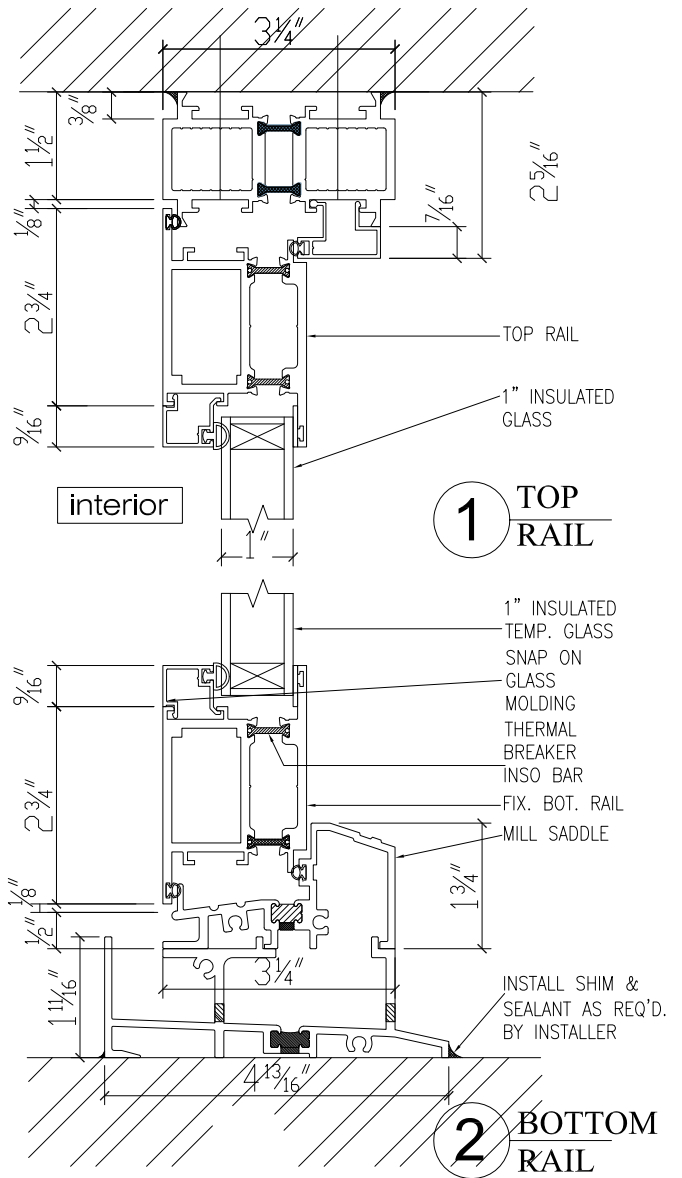


BD-325 SERIES BALCONY DOOR SWING - IN SINGLE DOOR



SHEET #	Drawn by: K. S. Lee	Customer	Revisions			
	Checked by: C.CHAN		No.	Date	Description	
	Date:					
	Scale: N.T.S.		Project :			



GAMCO CORPORATION
 MANUFACTURERS OF FENESTRATION PRODUCTS
 131-10 MAPLE AVE. FLUSHING, N.Y. 11355
 TEL: (718)359-8833 FAX: (718)359-8661
 info@gamcocorp.com www.gamcocorp.com