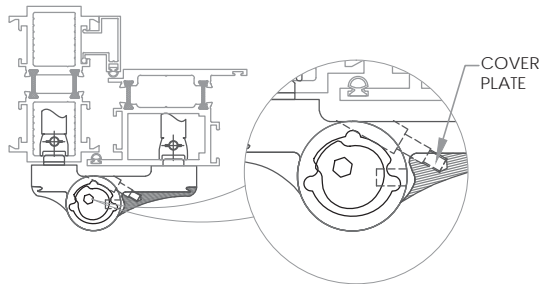


# BD325 SERIES BALCONY DOORS

**ADJUSTABLE HINGE** -HORIZONTAL ADJUSTMENT: 0-1/4"  
 -VERTICAL ADJUSTMENT: 0-1/4"  
 -BEARING CAPACITY: 380 LBS.

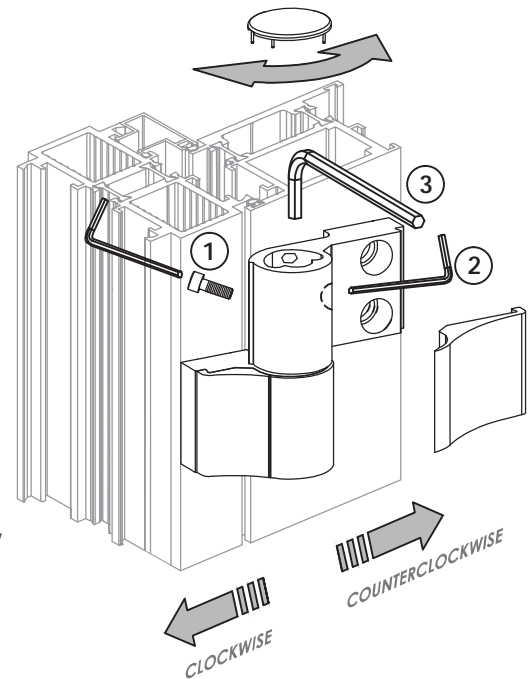
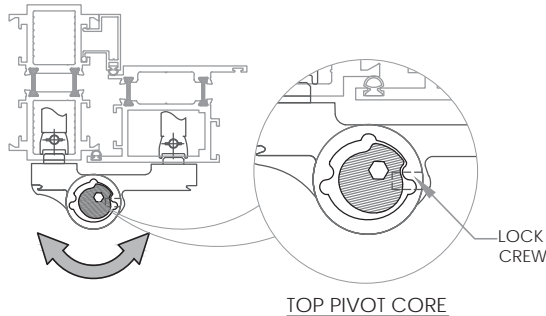
## HORIZONTAL ADJUSTMENT

- ① Use #3 allen wrench to release the set screw for cover plate



- ② Use #3 allen wrench to loose the lock screw for top pivot core

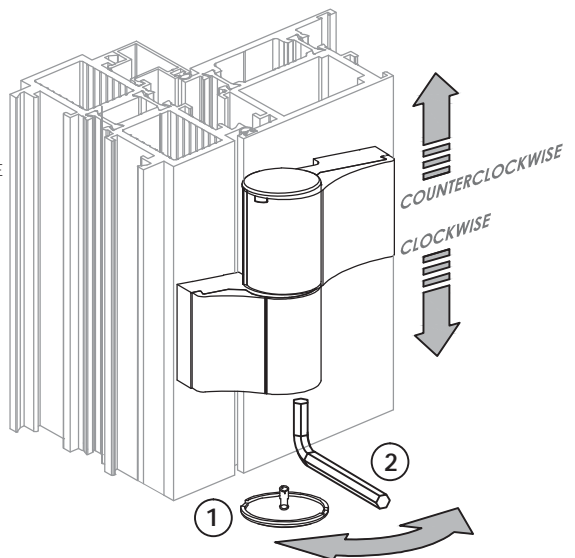
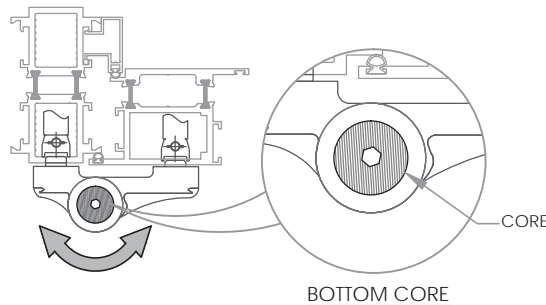
- ③ Remove the top pivot cap, use #6 allen wrench to turn top pivot core for gap space



## VERTICAL ADJUSTMENT

- ① Remove the bottom pivot cap

- ② Use #6 allen wrench to turn the bottom core for up & down gap space



\* TOOLS NOT INCLUDED



**GAMCO CORPORATION**

MANUFACTURERS OF QUALITY FENESTRATION PRODUCTS

131-10 MAPLE AVENUE, FLUSHING, NY 11355

TEL: (718)359-8833

info@gamcocorp.com

FAX: (718)359-8661

www.gamcocorp.com