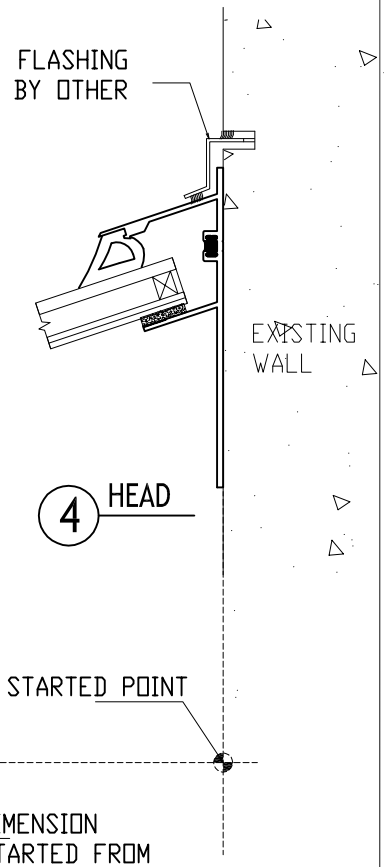
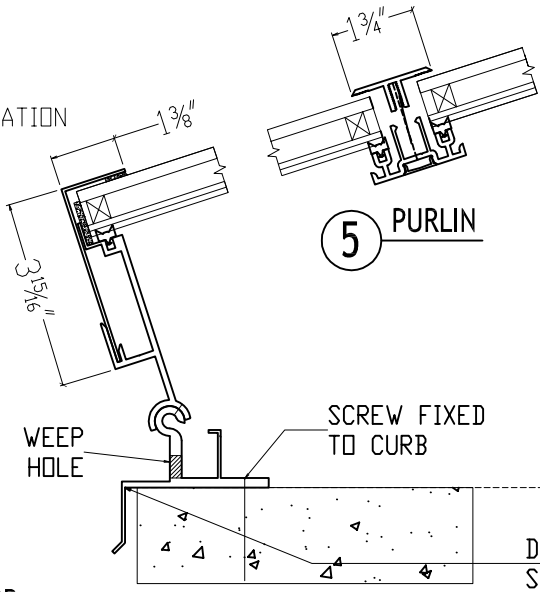
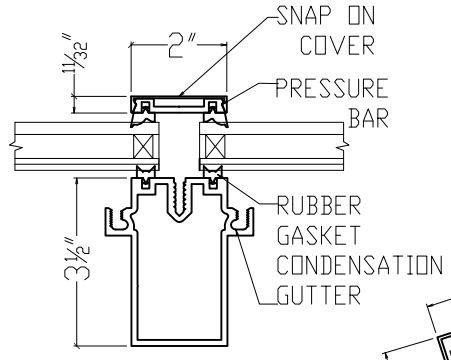
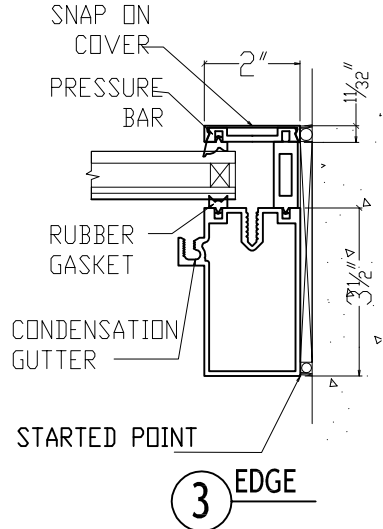


**SK2000 SERIES SKYLIGHT
SINGLE PITCH LEAN TO**



SHEET #	Drawn by: C.CHAN	Customer	Revisions		
	Checked by:		No.	Date	Description
	Date:		Project Name:		
	Scale: 3" = 1'-0"				

Revisions		
No.	Date	Description



GAMCO CORP.
 MANUFACTURER OF QUALITY FENESTRATION PRODUCTS
 131-10 Maple Ave. Flushing, N.Y. 11355
 Tel: (718) 359-8833 Fax: (718) 359-8661
 info@gamcocorp.com www.gamcocorp.com