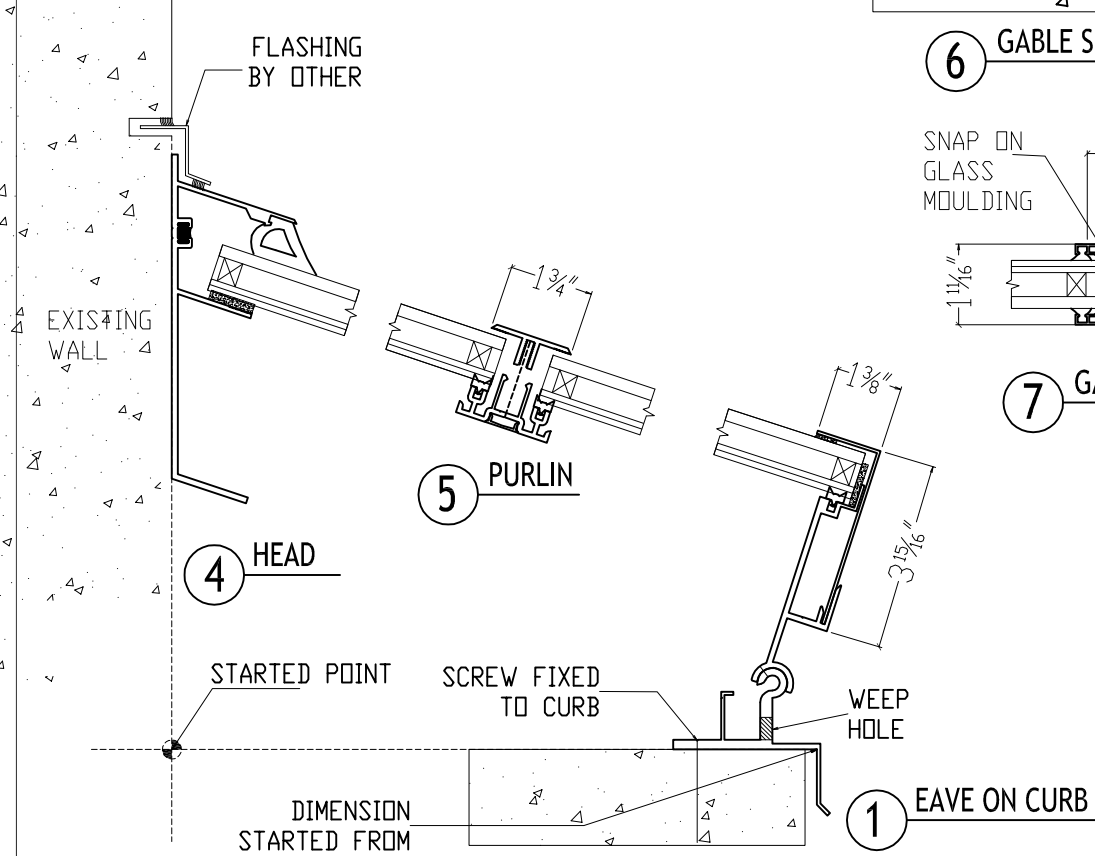
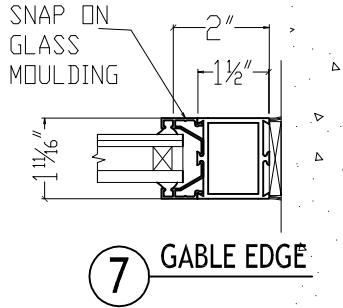
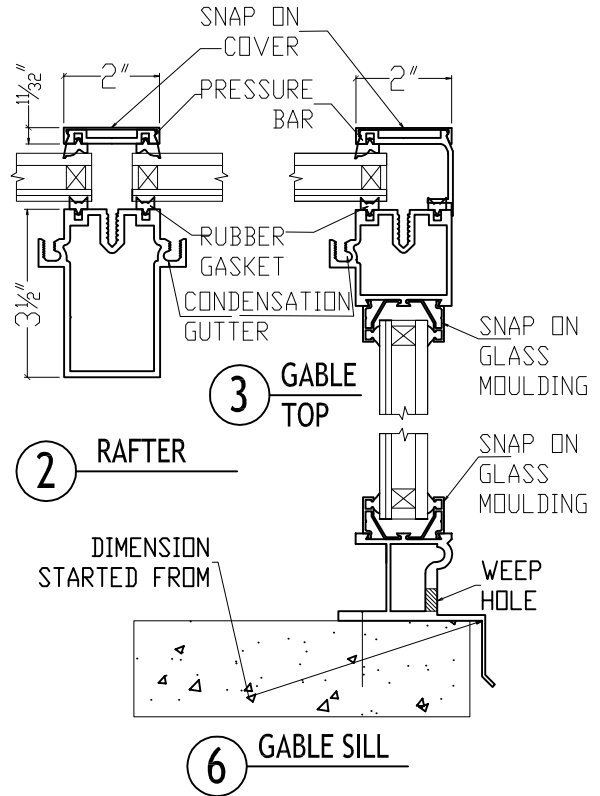


SK2000 SERIES SKYLIGHT SINGLE PITCH W/ GABLE ENDS



SHEET #	Drawn by: C.CHAN	Customer	Revisions		
	Checked by:		No.	Date	Description
	Date:				
	Scale: 3" = 1'-0"				

Project Name:	Revisions		
	No.	Date	Description



GAMCO CORP.
 MANUFACTURER OF QUALITY FENESTRATION PRODUCTS
 131-10 Maple Ave. Flushing, N.Y. 11355
 Tel: (718) 359-8833 Fax: (718) 359-8661
 info@gamcocorp.com www.gamcocorp.com