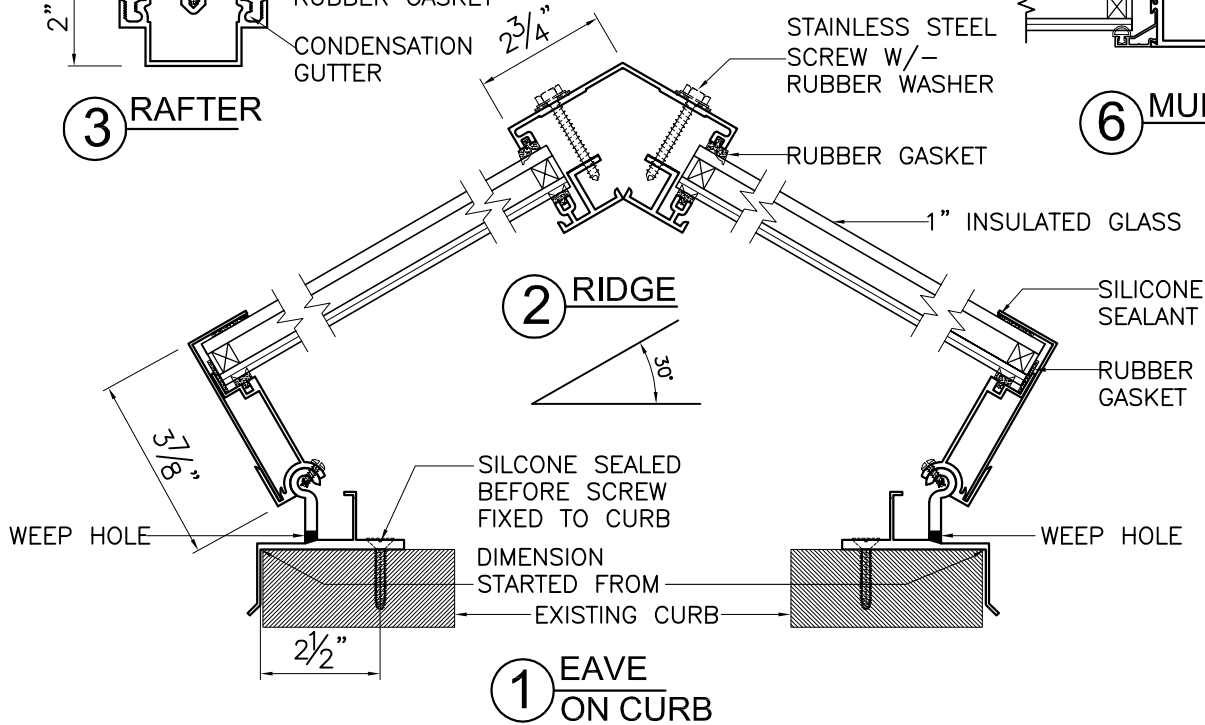
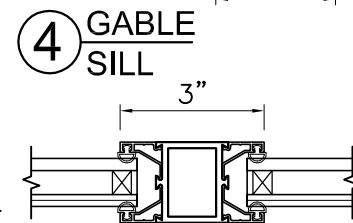
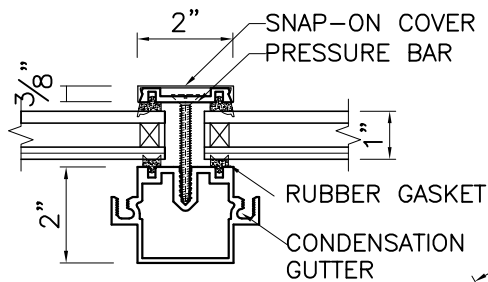
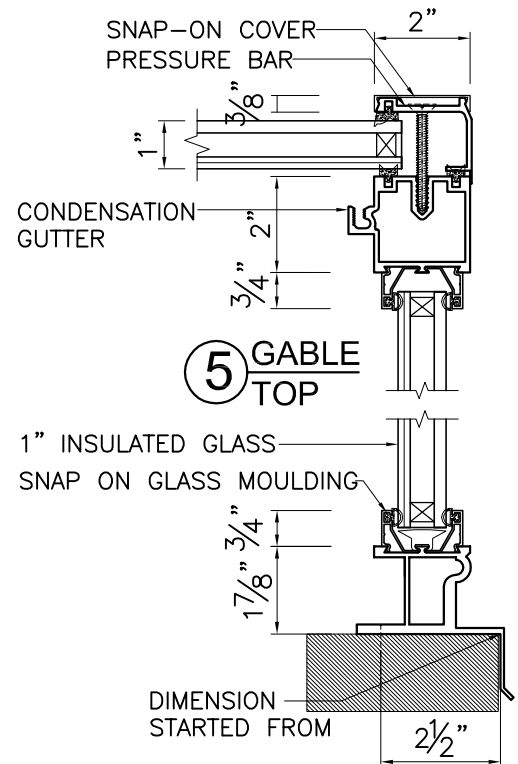


SK2000 SERIES SKYLIGHT DOUBLE PITCH W/ GABLE ENDS



SHEET #	Drawn by: K. S. Lee	Customer
	Checked by: C.CHAN	
	Date:	Project Name:
	Scale: 3" = 1'-0"	

Revisions		
No.	Date	Description



GAMCO CORP.
 MANUFACTURER OF QUALITY FENESTRATION PRODUCTS
 131-10 Maple Ave. Flushing, N.Y. 11355
 Tel: (718) 359-8833 Fax: (718) 359-8661
 info@gamcocorp.com www.gamcocorp.com