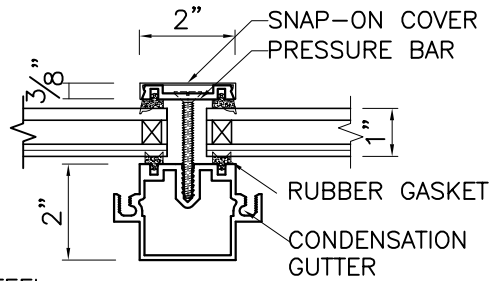
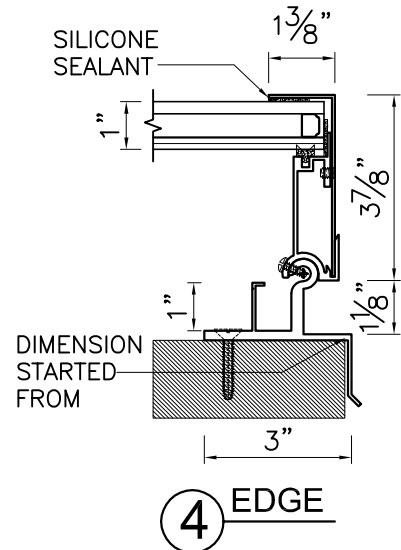
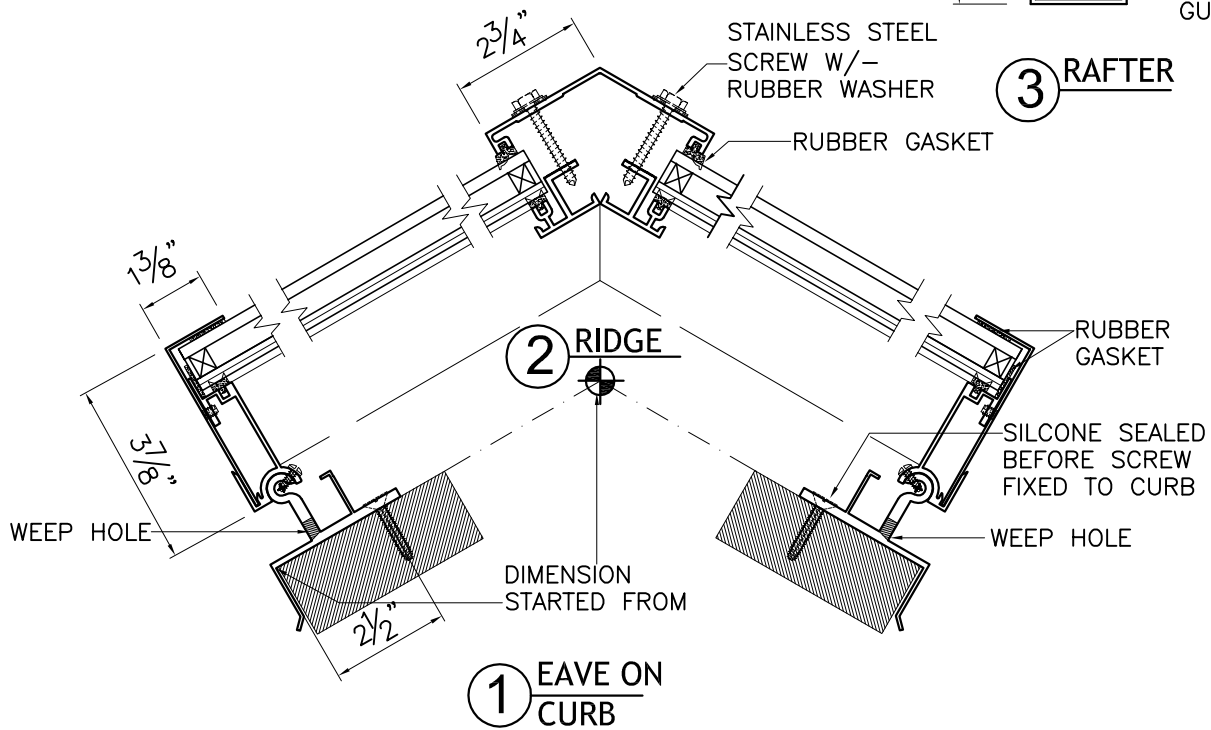


**SK2000 SERIES SKYLIGHT
DOUBLE PITCH**



③ **RAFTER**



SHEET #	Drawn by: K. S. Lee	Customer	Revisions		
	Checked by: C.CHAN		No.	Date	Description
	Date:	Project Name:			
	Scale: 3" = 1'-0"				



GAMCO CORP.
MANUFACTURER OF QUALITY FENESTRATION PRODUCTS
131-10 Maple Ave. Flushing, N.Y. 11355
Tel: (718) 359-8833 Fax: (718) 359-8661
info@gamcocorp.com www.gamcocorp.com