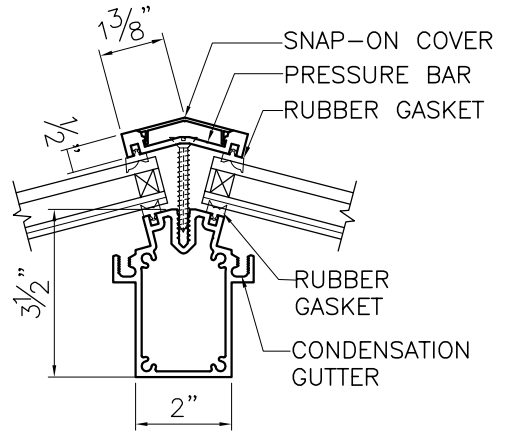
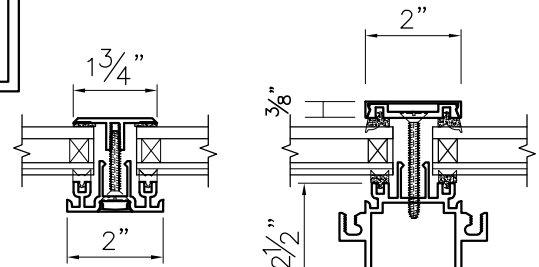


**SK2000 SERIES SKYLIGHT  
DOUBLE PITCH W/ HIP ENDS**

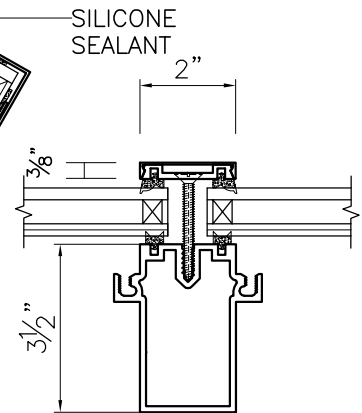
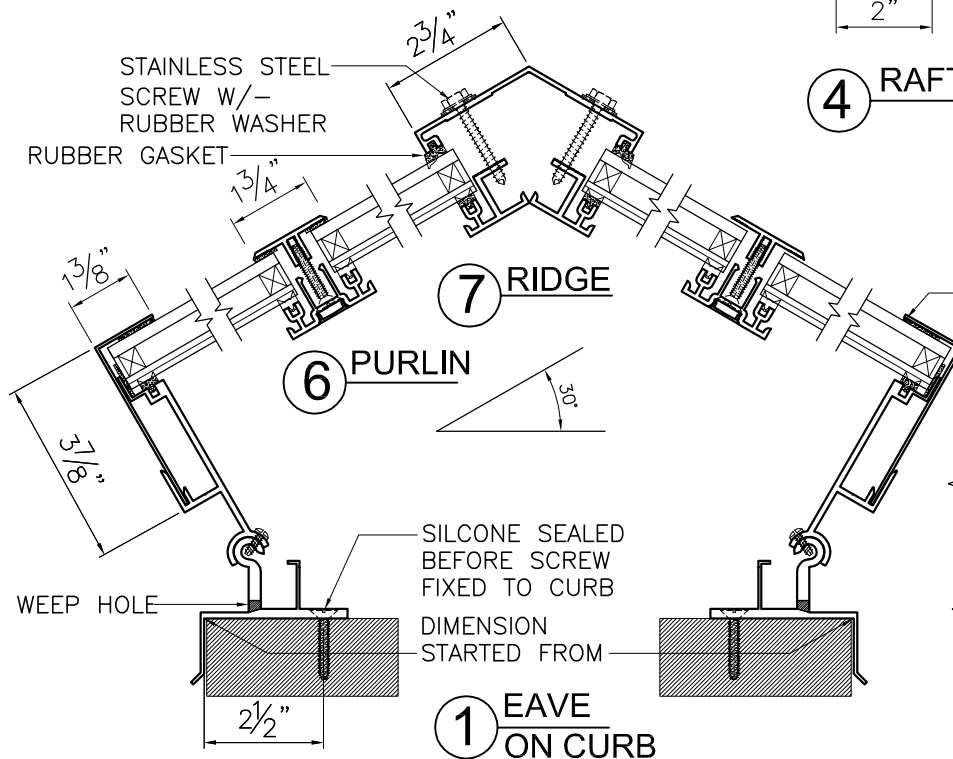


**5 HIP  
RAFTER**



**4 RAFTER**

**3 RAFTER**



**2 RAFTER**

SHEET #	Drawn by: K. S. Lee	Customer	Revisions		
	Checked by: C. Chan		No.	Date	Description
	Date:	Project Name:			
	Scale: 3" = 1'-0"				



**GAMCO CORP.**  
 MANUFACTURER OF QUALITY FENESTRATION PRODUCTS  
 131-10 Maple Ave. Flushing, N.Y. 11355  
 Tel: (718) 359-8833 Fax: (718) 359-8661  
 info@gamcocorp.com www.gamcocorp.com