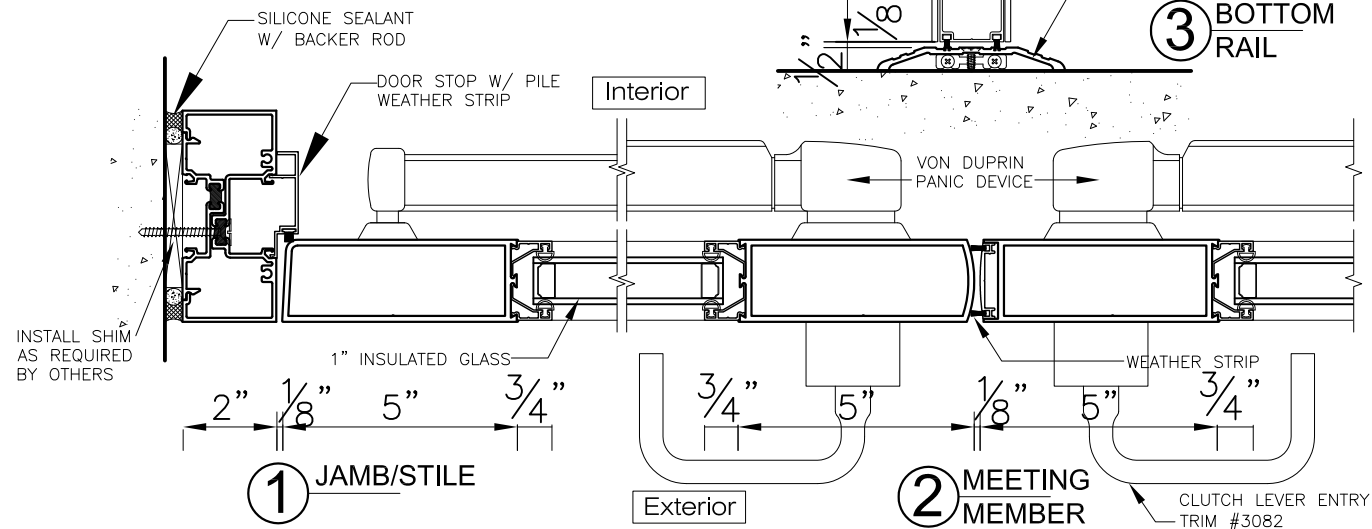
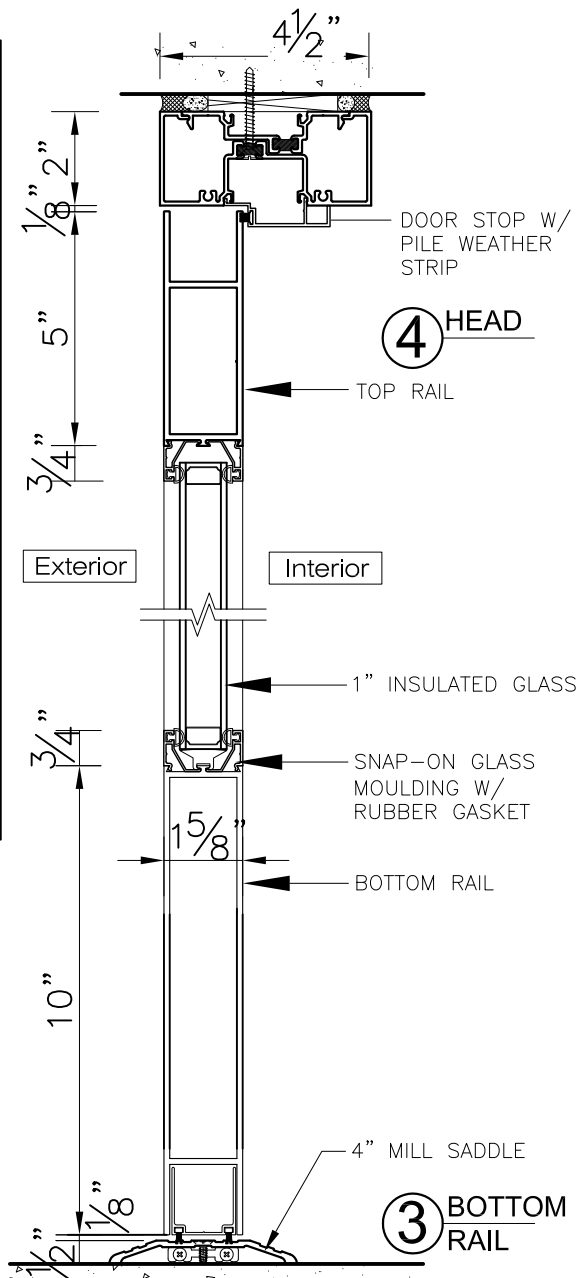



# D500 SERIES WIDE STILE PAIR DOOR



SHEET #	Drawn by: K. S. Lee	Customer	Revisions			 <b>GAMCO CORPORATION</b> MANUFACTURERS OF FENESTRATION PRODUCTS 131-10 MAPLE AVE. FLUSHING, N.Y. 11355 TEL: (718)359-8833 FAX: (718)359-8661 info@gamcocorp.com www.gamcocorp.com
	Checked by: C.CHAN		No.	Date	Description	
	Date:					
	Scale: 1/4" : 1"		Project :			