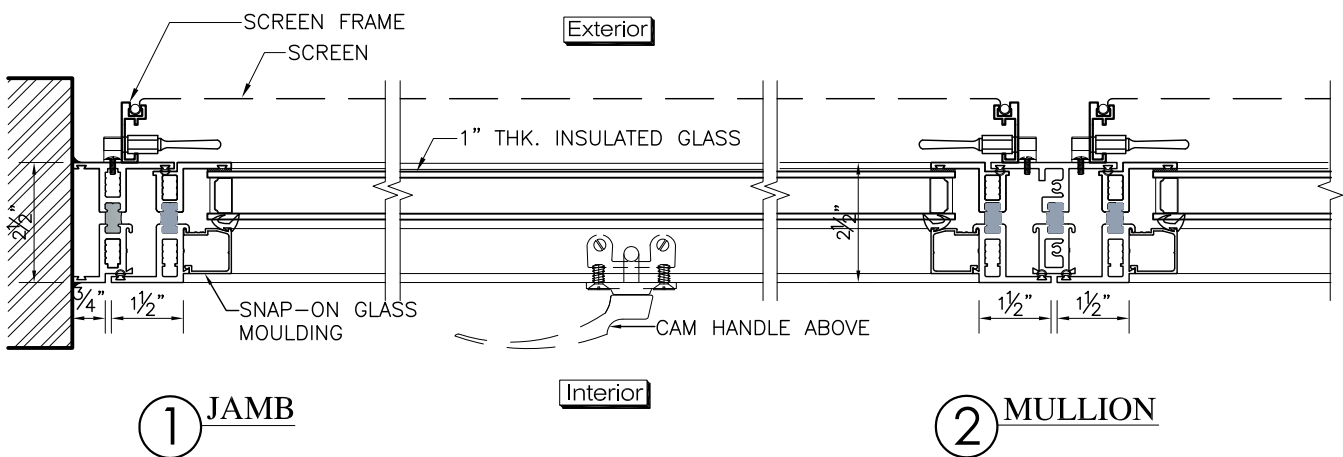
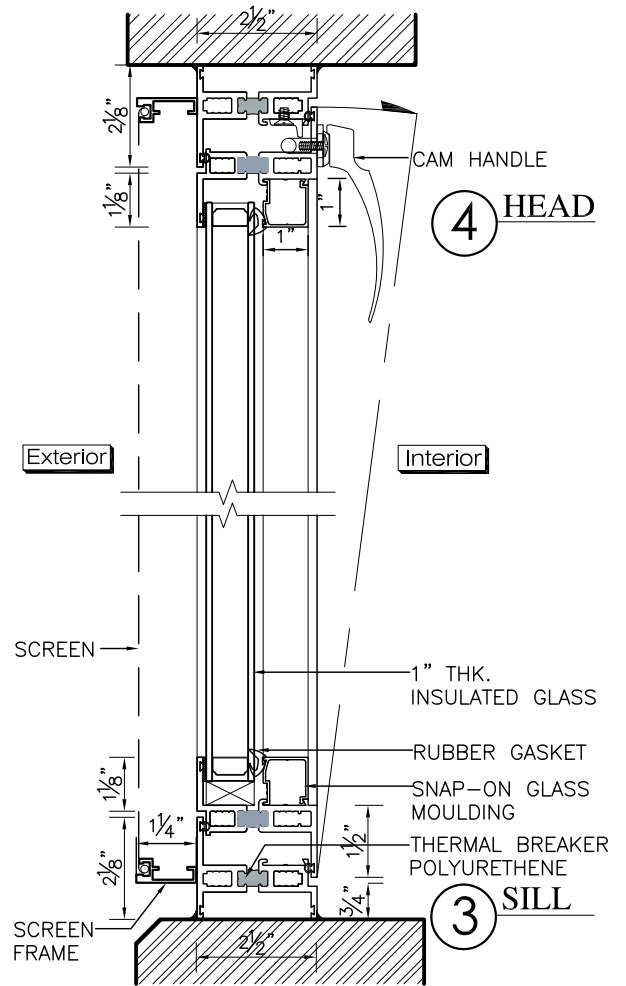


TWIN HOPPER WINDOWS (W250HC)
W/ SCREEN



SHEET #	Drawn by: K.S. Lee	Customer	Revisions		
	Checked by: C. Chan		No.	Date	Description
	Date:				
	Scale:				
	Project :				



GAMCO CORPORATION
MANUFACTURERS OF FENESTRATION PRODUCTS
131-10 MAPLE AVE. FLUSHING, N.Y. 11355
TEL: (718)359-8833 FAX: (718)359-8661
info@gamcocorp.com www.gamcocorp.com