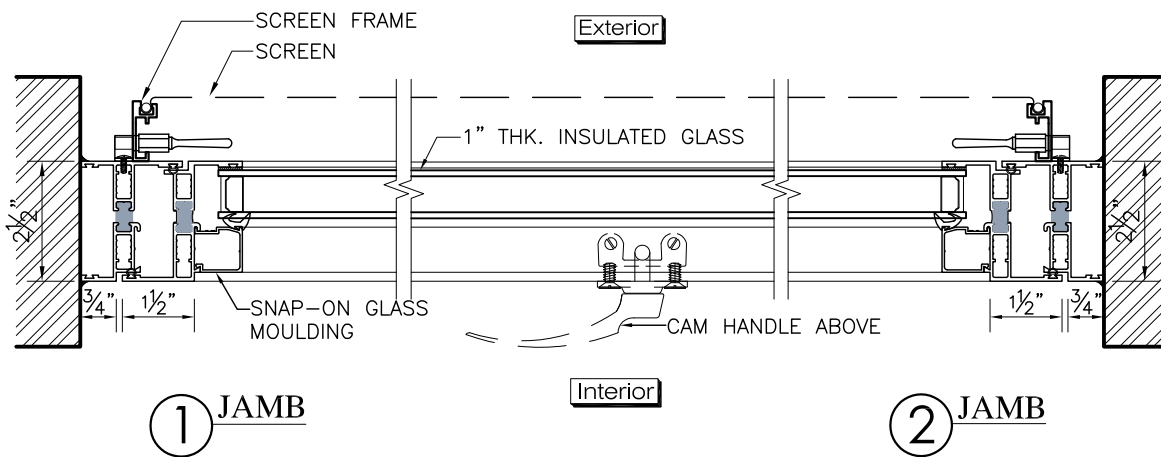
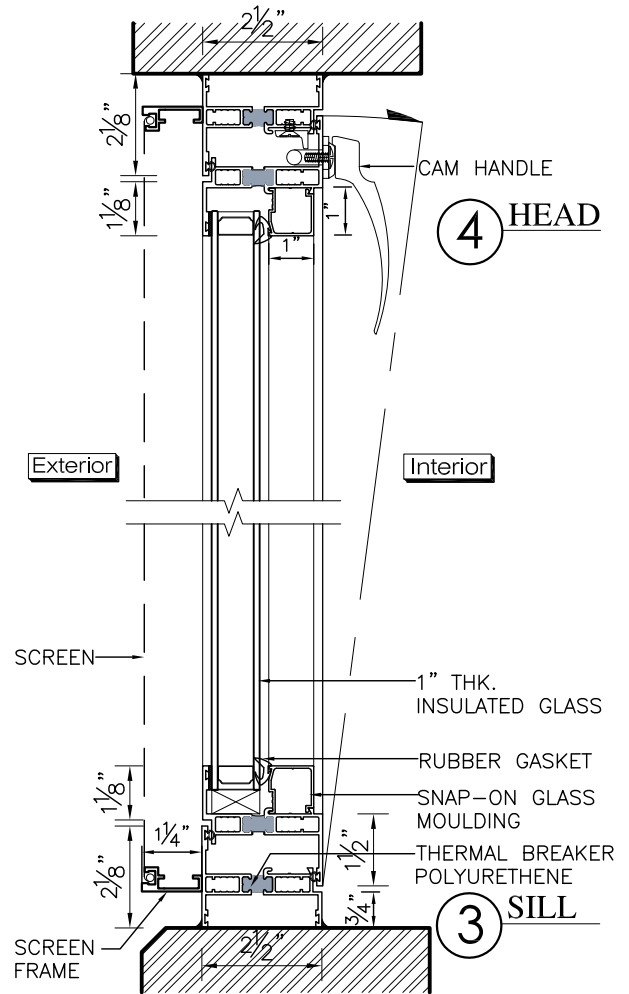


**HOPPER WINDOW (W250C)**  
**W/ SCREEN**



SHEET #	Drawn by: K.S. Lee	Customer	Revisions				<b>GAMCO CORPORATION</b> MANUFACTURERS OF FENESTRATION PRODUCTS 131-10 MAPLE AVE. FLUSHING, N.Y. 11355 TEL: (718)359-8833 FAX: (718)359-8661 info@gamcocorp.com www.gamcocorp.com
	Checked by: C. Chan		No.	Date	Description		
	Date:						
	Scale:						
		Project :					