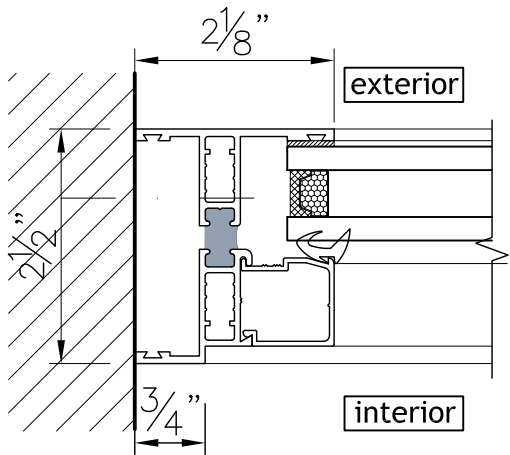
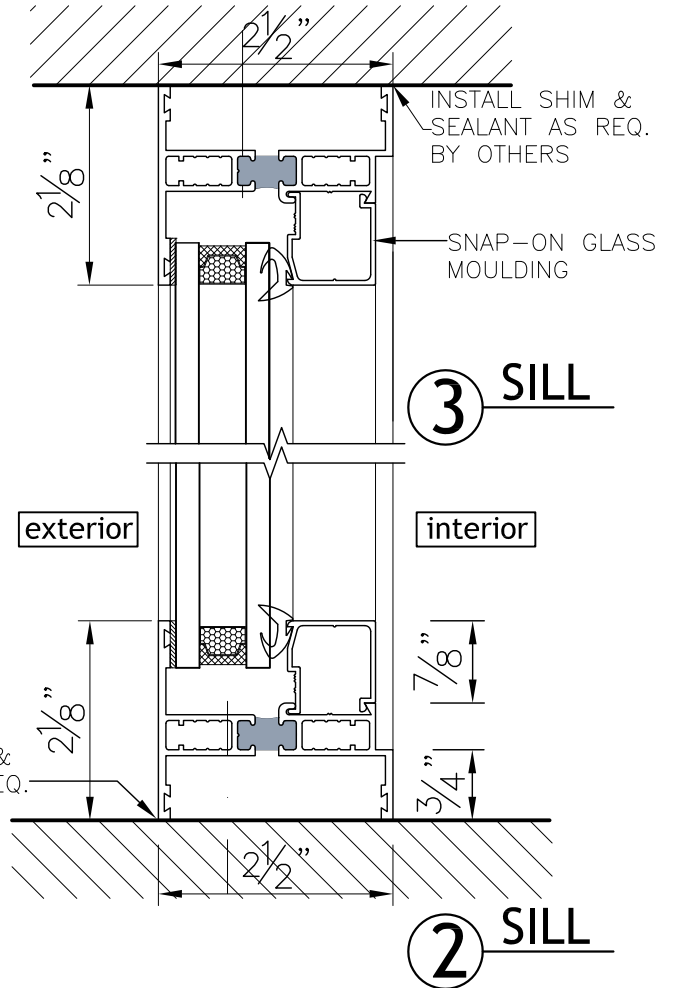



FIXED WINDOW (W250C)

SCALE : 6" = 1'-0"



1 JAMB/VENT

SHEET #	Drawn by: K.S. Lee	Customer	Revisions			
	Checked by: C. Chan		No.	Date	Description	
	Date:					
	Scale:					
		Project :				
			 GAMCO CORPORATION MANUFACTURERS OF FENESTRATION PRODUCTS 131-10 MAPLE AVE. FLUSHING, N.Y. 11355 TEL: (718)359-8833 FAX: (718)359-8661 info@gamcocorp.com www.gamcocorp.com			