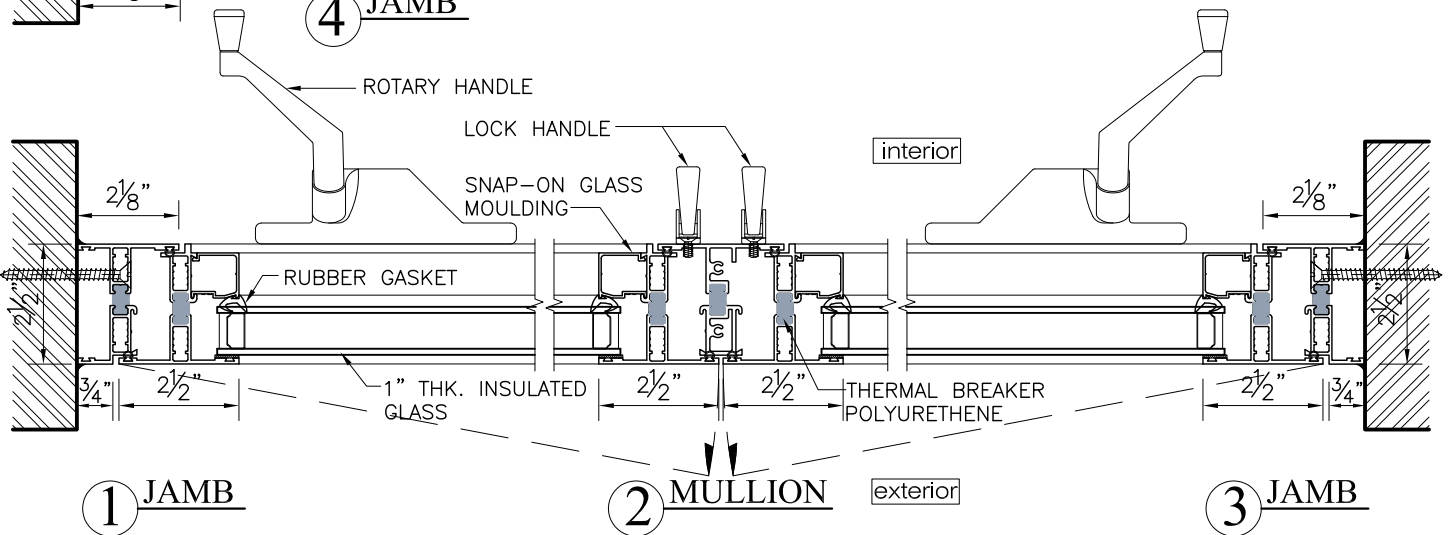
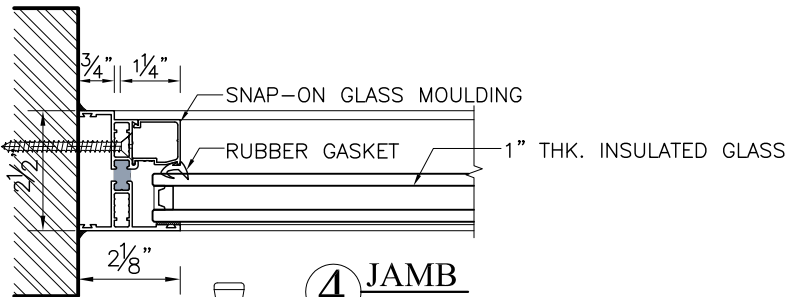
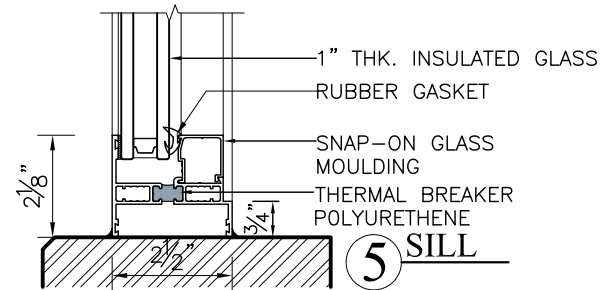
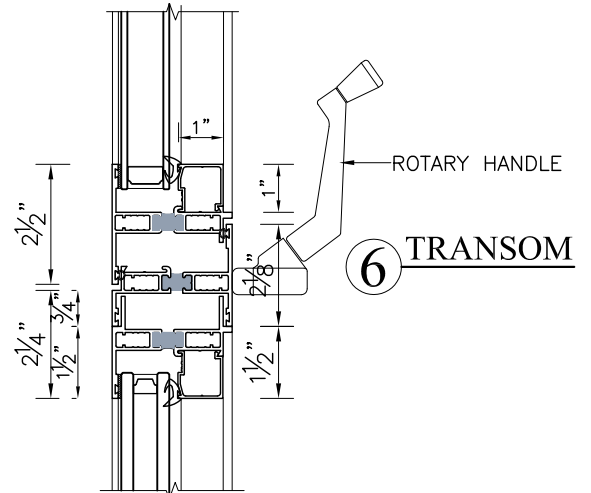
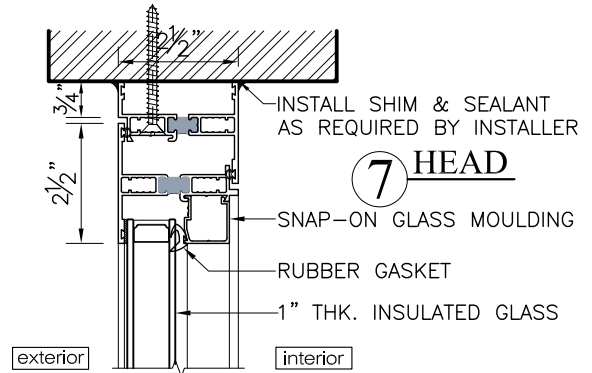


**TWIN CASEMENT WINDOW (W250C)
W/ FIXED LITE**

SCALE: 3" = 1'-0"



SHEET #	Drawn by: K.S. Lee	Customer	Revisions			
	Checked by: C. Chan		No.	Date	Description	
	Date:					
	Scale:					
	Project :					



GAMCO CORPORATION
 MANUFACTURERS OF FENESTRATION PRODUCTS
 131-10 MAPLE AVE. FLUSHING, N.Y. 11355
 TEL: (718) 359-8833 FAX: (718) 359-8661
 info@gamcocorp.com www.gamcocorp.com