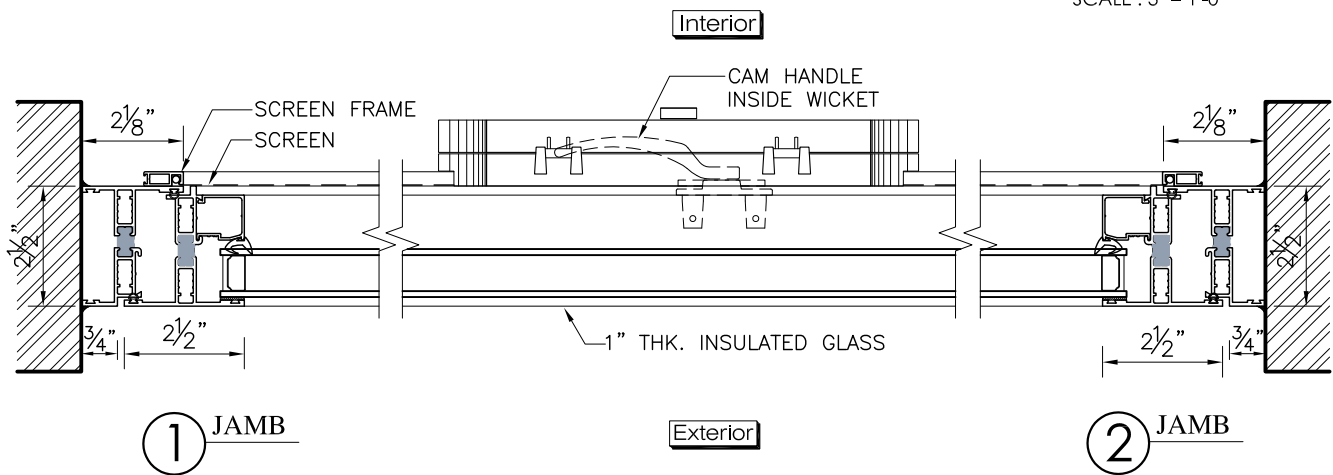
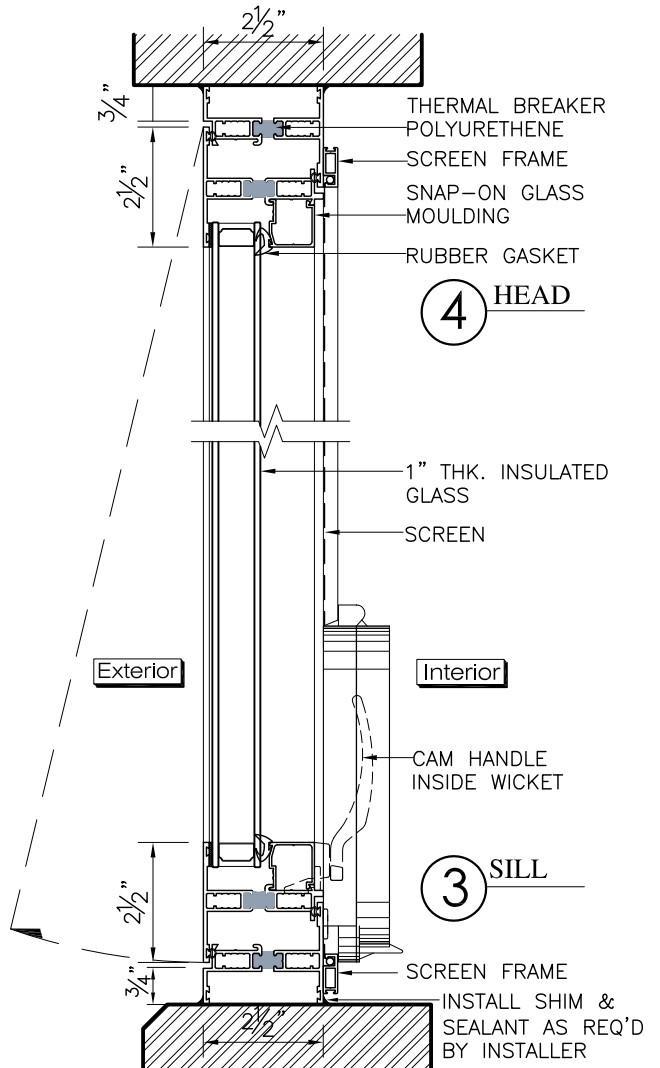


**AWNING WINDOW (W250C)  
W/ SCREEN**



SHEET #	Drawn by: K.S. Lee	Customer	Revisions			
	Checked by: C. Chan		No.	Date	Description	
	Date:					
	Scale:					
	Project :					



**GAMCO CORPORATION**  
MANUFACTURERS OF FENESTRATION PRODUCTS  
131-10 MAPLE AVE. FLUSHING, N.Y. 11355  
TEL: (718)359-8833 FAX: (718)359-8661  
info@gamcocorp.com www.gamcocorp.com