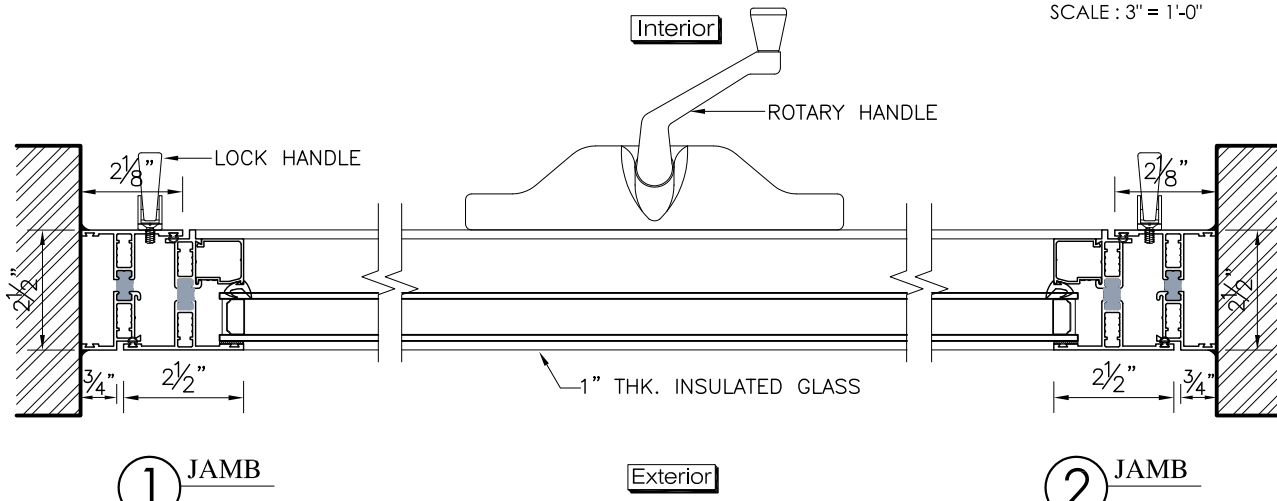
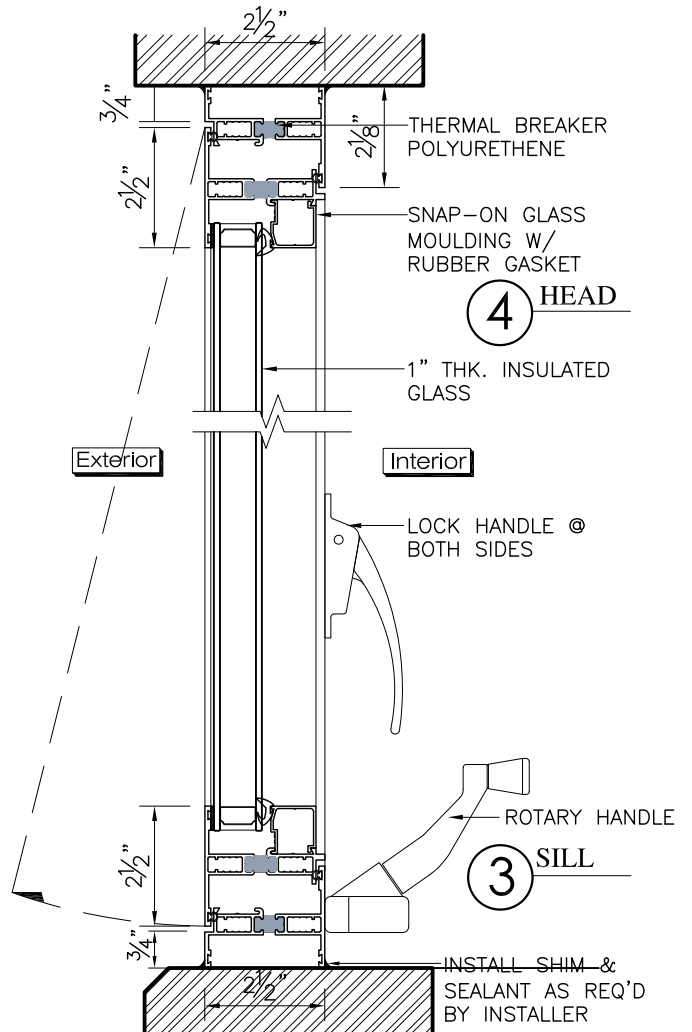


**AWNING WINDOW (W250C)**



|         |                     |           |           |      |             |
|---------|---------------------|-----------|-----------|------|-------------|
| SHEET # | Drawn by: K.S. Lee  | Customer  | Revisions |      |             |
|         | Checked by: C. Chan |           | No.       | Date | Description |
|         | Date:               | Project : |           |      |             |
|         | Scale:              |           |           |      |             |



**GAMCO CORPORATION**  
 MANUFACTURERS OF FENESTRATION PRODUCTS  
 131-10 MAPLE AVE. FLUSHING, N.Y. 11355  
 TEL: (718)359-8833 FAX: (718)359-8661  
 info@gamcocorp.com www.gamcocorp.com