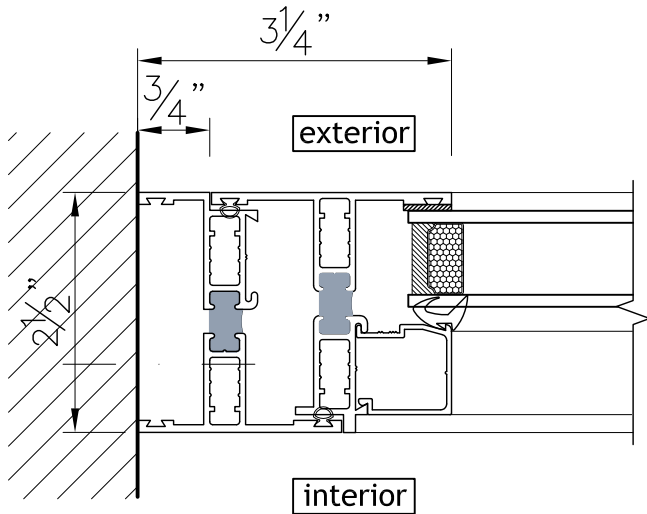
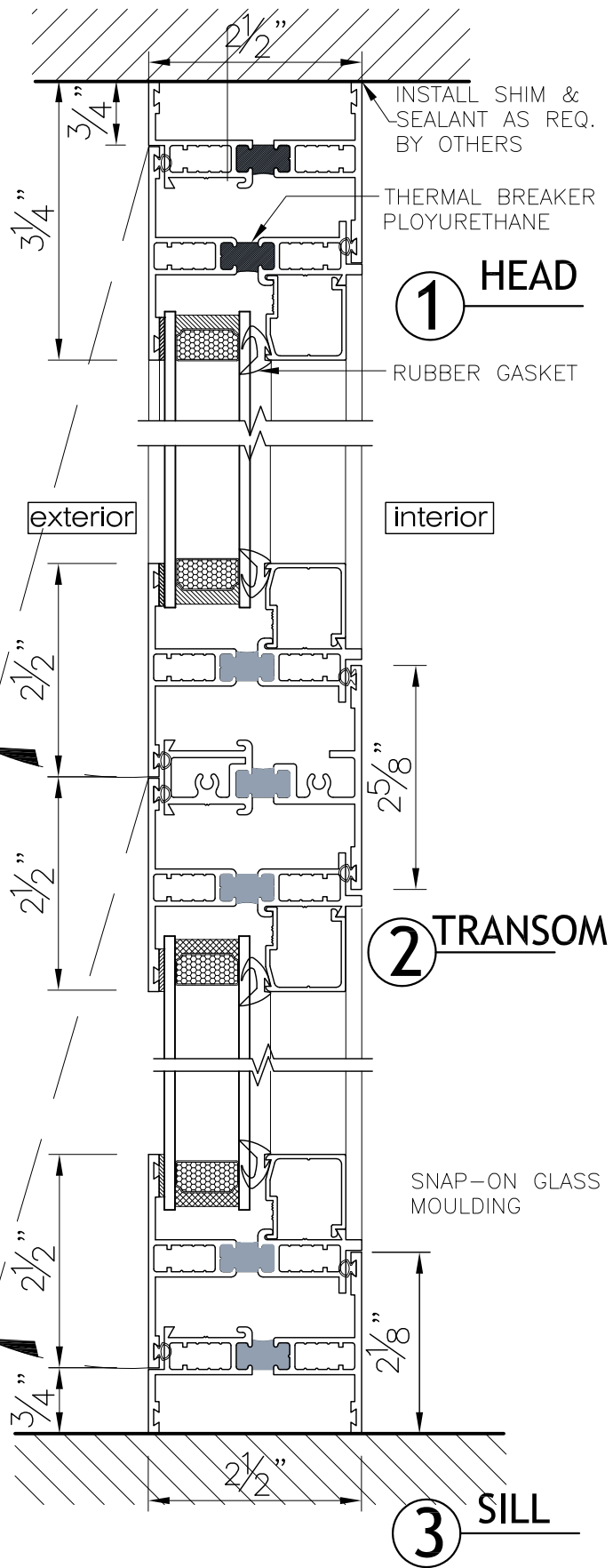


# AWNING WINDOW

SCALE : 6" = 1'-0"



**4** JAMB/VENT

**3** SILL

SHEET #	Drawn by: K.S. Lee	Customer	Revisions		
	Checked by: C. Chan		No.	Date	Description
	Date:				
	Scale:				
	Project :				



**GAMCO CORPORATION**  
 MANUFACTURERS OF FENESTRATION PRODUCTS  
 131-10 MAPLE AVE. FLUSHING, N.Y. 11355  
 TEL: (718)359-8833 FAX: (718)359-8661  
 info@gamcocorp.com www.gamcocorp.com