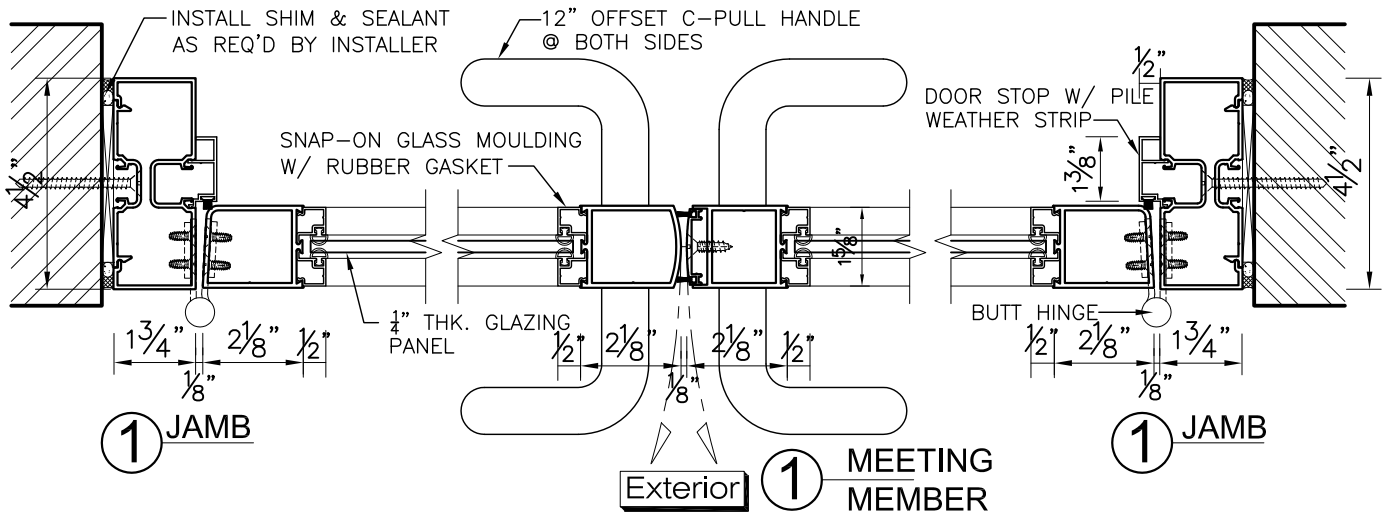
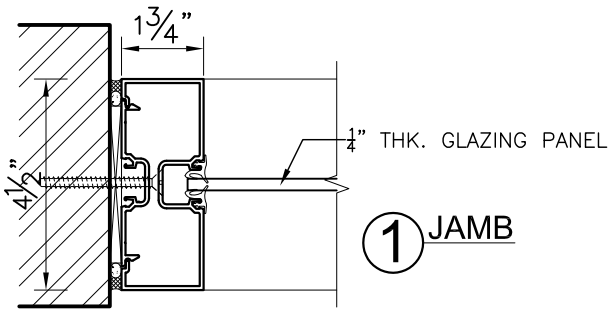
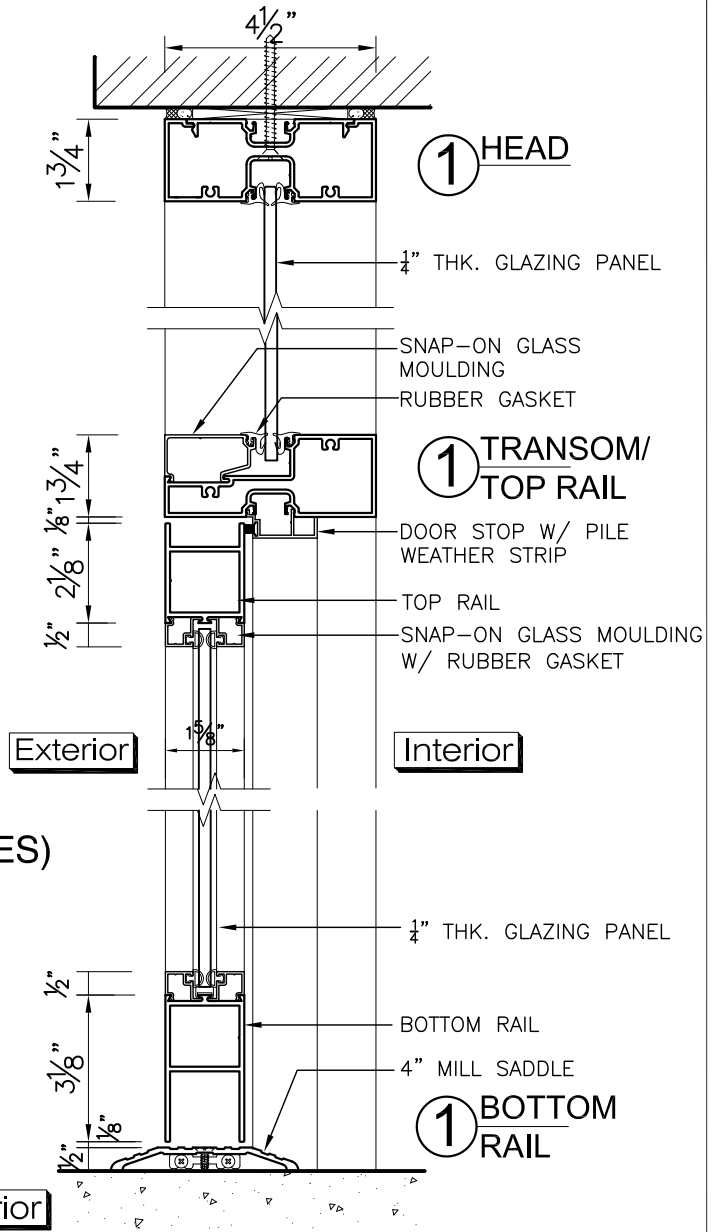



**NARROW STILE PAIR DOOR (D200 SERIES)  
W/ TRANSOM PANEL**



SHEET #	Drawn by:	Customer	Revisions			 <b>GAMCO CORPORATION</b> MANUFACTURERS OF FENESTRATION PRODUCTS 131-10 MAPLE AVE. FLUSHING, N.Y. 11355 TEL: (718)359-8833 FAX: (718)359-8661 info@gamcocorp.com www.gamcocorp.com
	Checked by:		No.	Date	Description	
	Date:		Project :			
	Scale:					