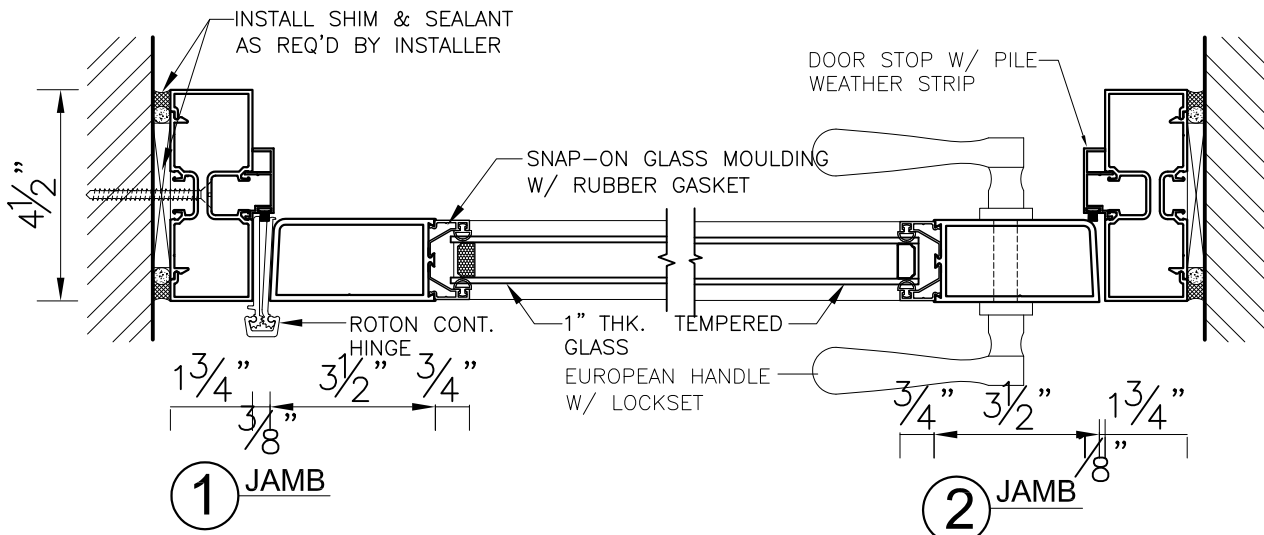
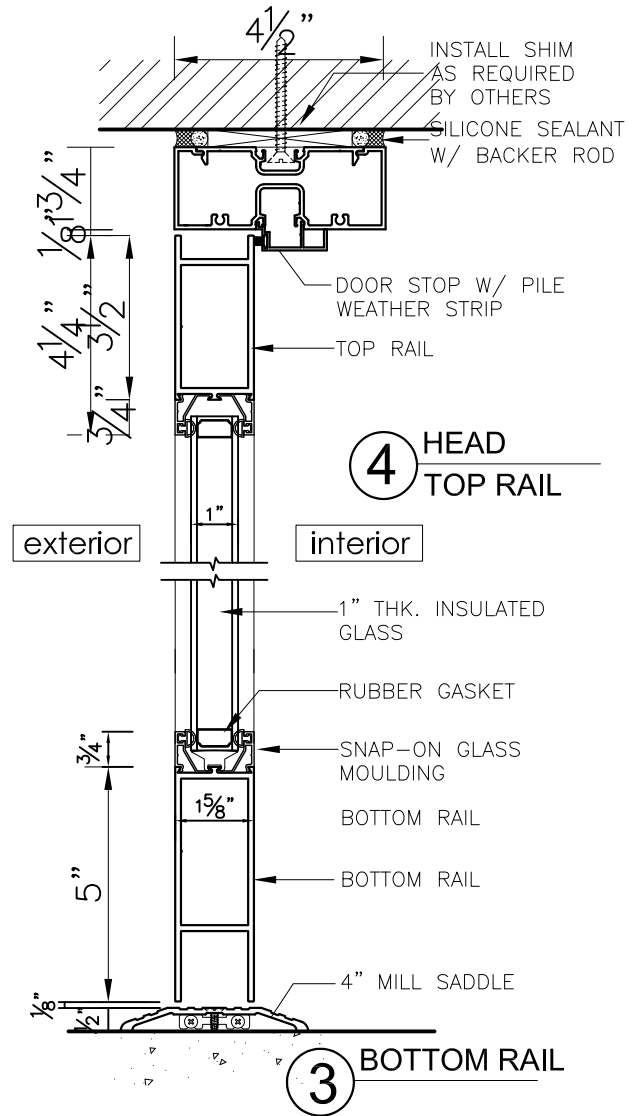



D350 SERIES MEDIUM STILE DOOR



SHEET #	Drawn by: K. S. Lee	Customer	Revisions			 GAMCO CORPORATION MANUFACTURERS OF FENESTRATION PRODUCTS 131-10 MAPLE AVE. FLUSHING, N.Y. 11355 TEL: (718)359-8833 FAX: (718)359-8661 info@gamcocorp.com www.gamcocorp.com
	Checked by: C. Chan		No.	Date	Description	
	Date:					
	Scale: 3" : 1'-0"					
		Project :				