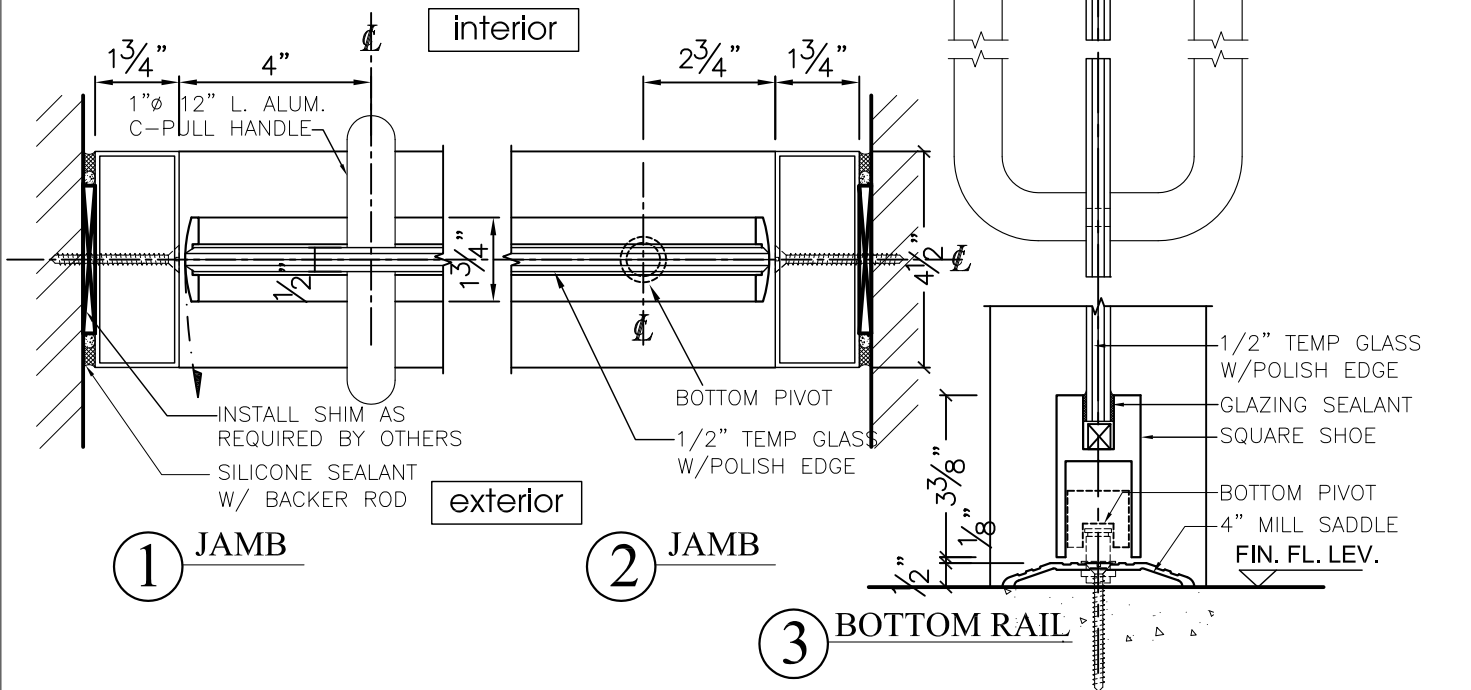
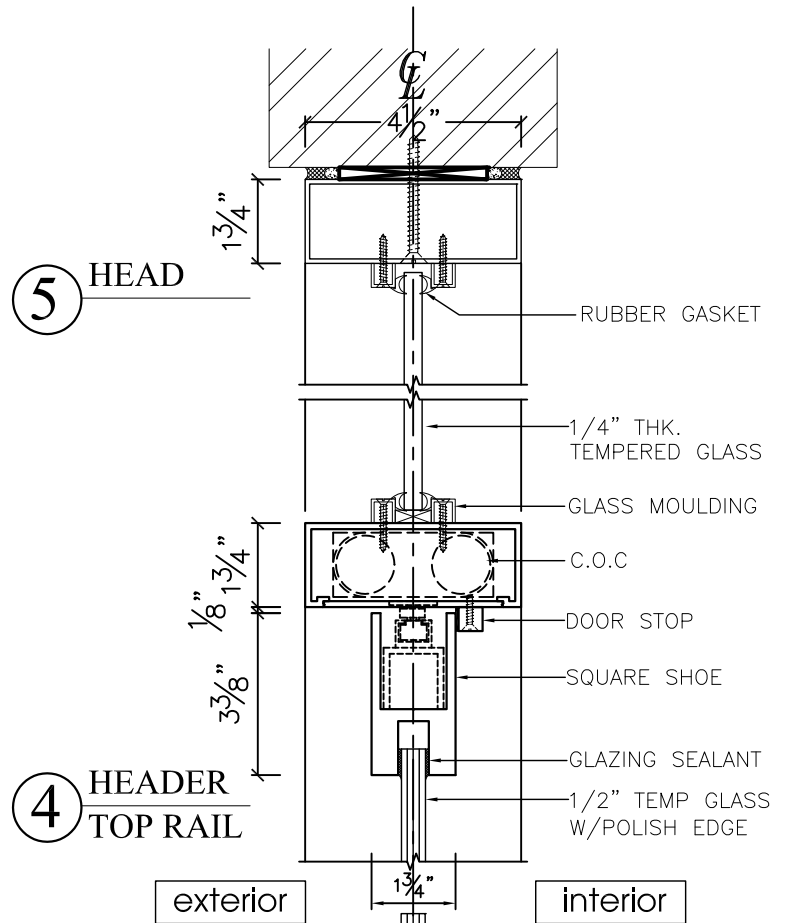


# HS350 SERIES HERCULITE DOOR W/ HEADER & C.O.C



SHEET #	Drawn by: K. S. Lee	Customer	Revisions		
	Checked by: C. CHAN		No.	Date	Description
	Date:				
	Scale: 1/4" : 1"				
	Project :				



**GAMCO CORPORATION**  
MANUFACTURERS OF FENESTRATION PRODUCTS  
131-10 MAPLE AVE. FLUSHING, N.Y. 11355  
TEL: (718)359-8833 FAX: (718)359-8661  
info@gamcocorp.com www.gamcocorp.com