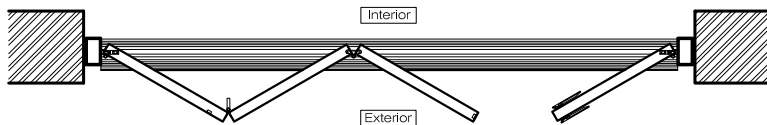
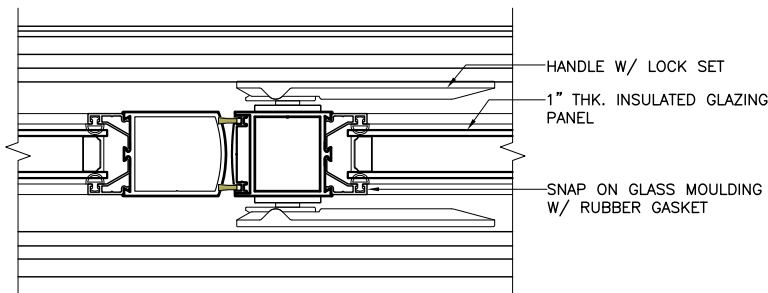


FRONT ELEVATION SCALE: 3/8" = 1'-0"
(VIEW FROM EXTERIOR)

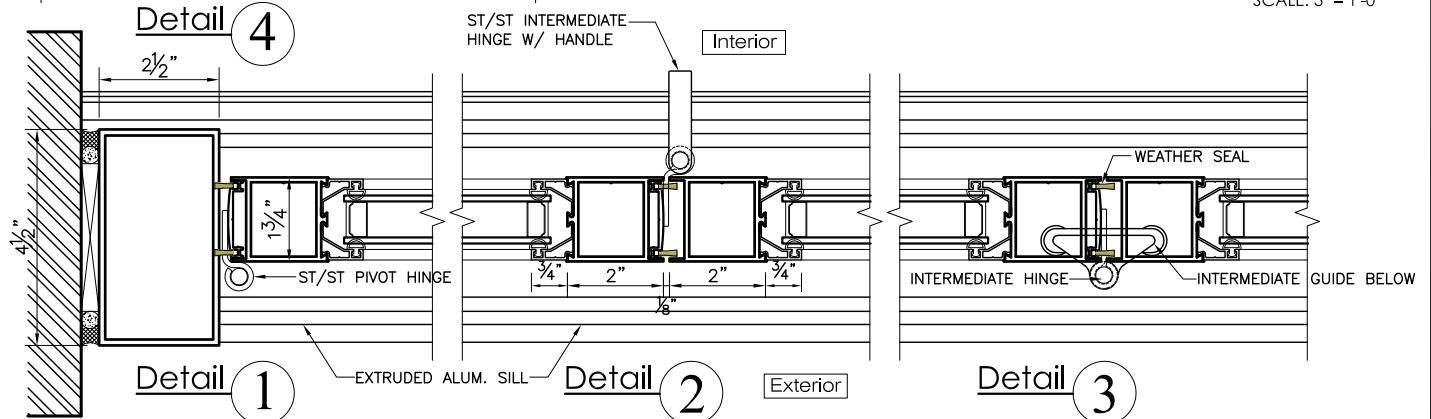


PLAN SCALE: 3/8" = 1'-0"

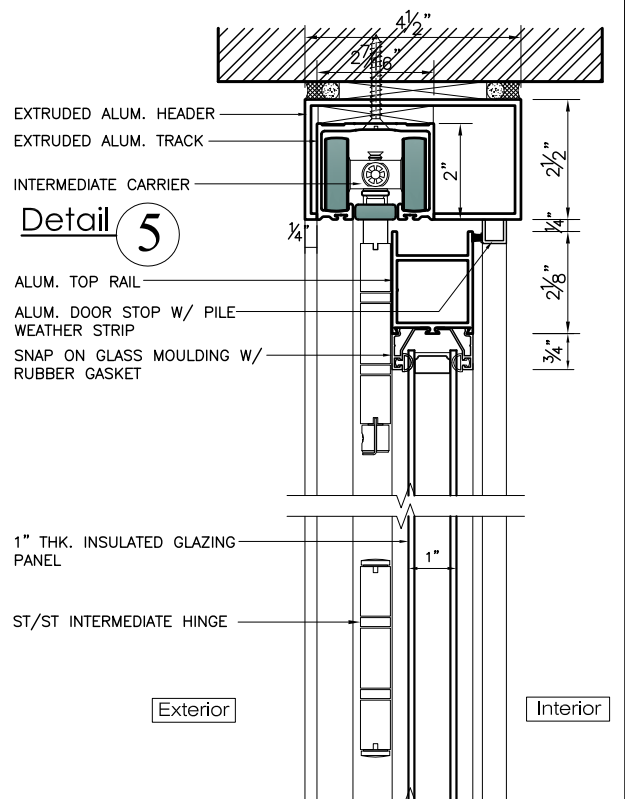
**3L/1R PANEL OUTSWING LAYOUT
ALUM. BIFOLDING DOOR SYSTEM**



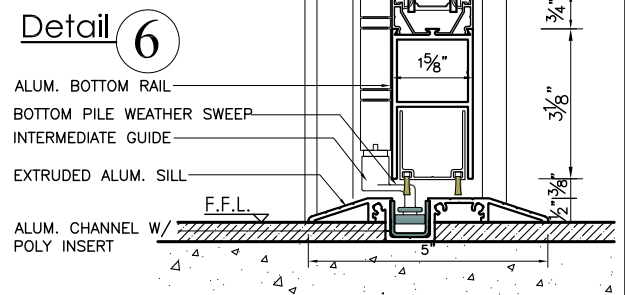
Detail 4



TYPICAL HORIZ. SECTIONAL DETAIL
SCALE: 3\"/>



Detail 5



Detail 6

TYPICAL VERT. SECTIONAL DETAIL
SCALE: 3\"/>

| | | | | | |
|---------|-------------|-----------|-----------|------|-------------|
| SHEET # | Drawn by: | Customer | Revisions | | |
| | Checked by: | | No. | Date | Description |
| | Date: | | | | |
| | Scale: | | | | |
| | K.S. Lee | Project : | | | |
| | C. Chan | | | | |
| | | | | | |
| | AS SHOWN | | | | |

| | | |
|-----------|------|-------------|
| Revisions | | |
| No. | Date | Description |
| | | |
| | | |
| | | |

| | | |
|-----------|------|-------------|
| Revisions | | |
| No. | Date | Description |
| | | |
| | | |
| | | |



GAMCO CORPORATION
MANUFACTURERS OF FENESTRATION PRODUCTS
131-10 MAPLE AVE. FLUSHING, N.Y. 11355
TEL: (718)359-8833 FAX: (718)359-8661
info@gamcocorp.com www.gamcocorp.com