

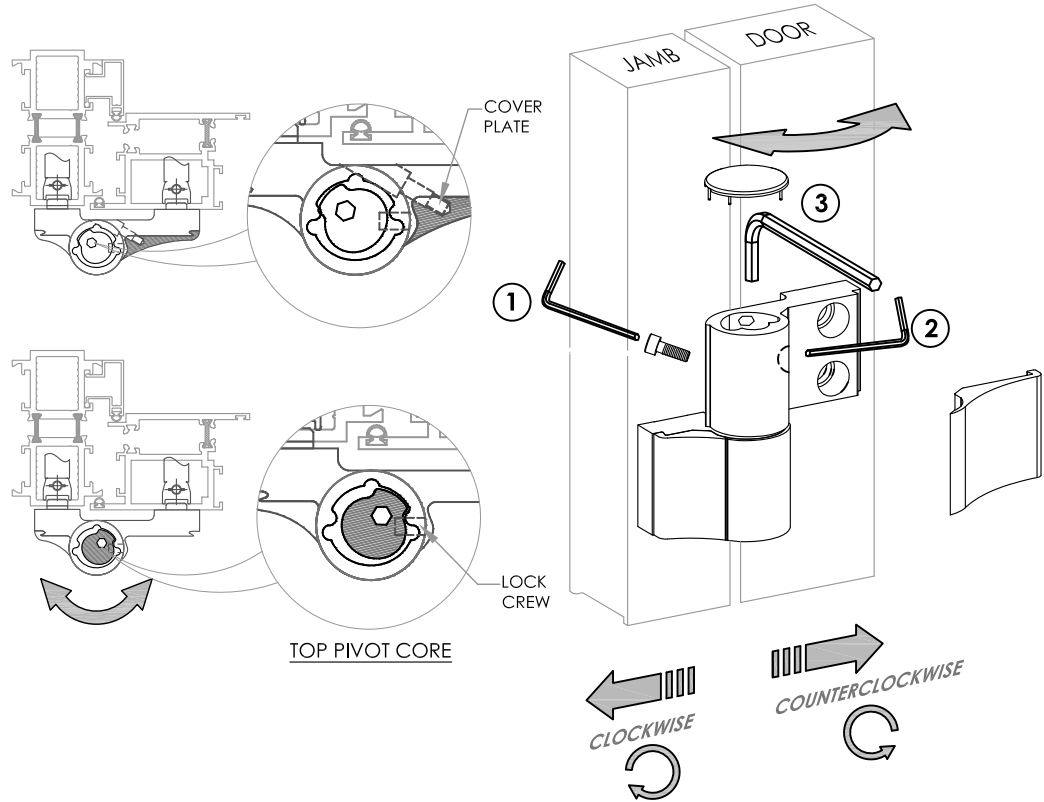
BD-325 SERIES BALCONY DOORS

ADJUSTABLE HINGE

- HORIZONTAL ADJUSTMENT: 0-1/4"
- VERTICAL ADJUSTMENT: 0-1/4"
- BEARING CAPACITY: 380 LBS.

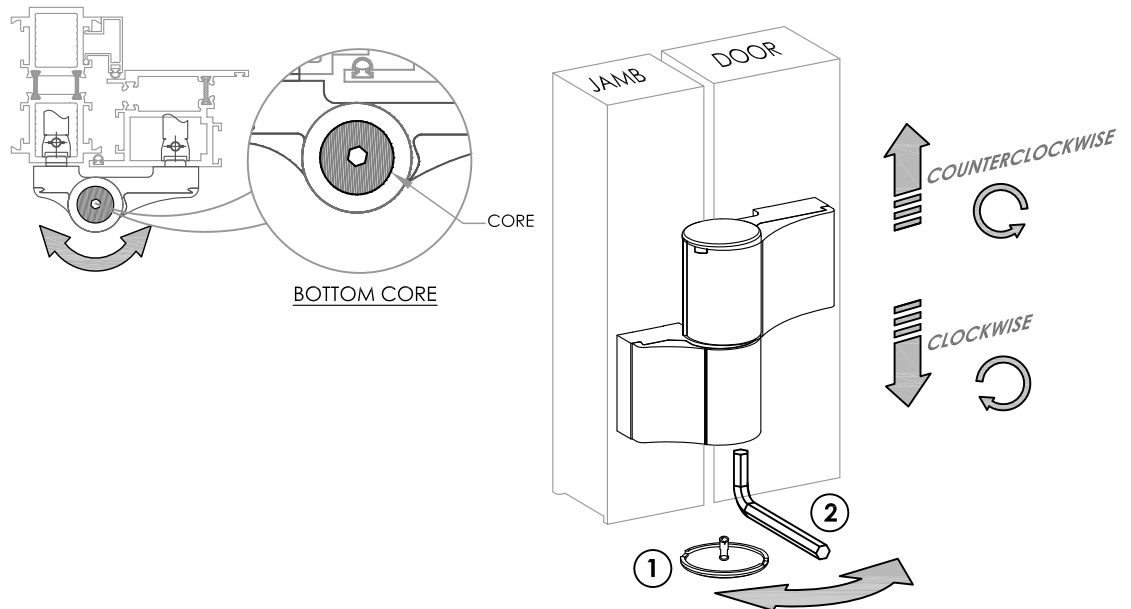
HORIZONTAL ADJUSTMENT

- USE #3 ALLEN WRENCH TO RELEASE THE SET SCREW FOR COVER PLATE
- USE #3 ALLEN WRENCH TO LOOSE THE LOCK SCREW FOR TOP PIVOT CORE
- REMOVE THE TOP PIVOT CAP
- USE #6 ALLEN WRENCH TO TURN TOP PIVOT CORE FOR GAP SPACE



VERTICAL ADJUSTMENT

- REMOVE THE BOTTOM PIVOT CAP
- USE #6 ALLEN WRENCH TO TURN THE BOTTOM CORE FOR UP & DOWN GAP SPACE



GAMCO CORPORATION

MANUFACTURES OF QUALITY FENESTRATION PRODUCTS
131-10 MAPLE AVENUE, FLUSHING, NY 11355

TEL: (718)359-8833

info@gamcocorp.com

FAX: (718)359-8661

www.gamcocorp.com