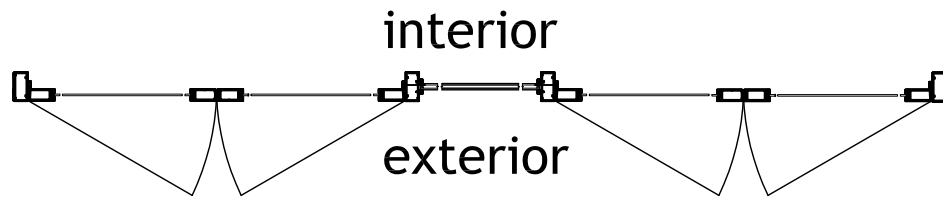


B VESTIBULE ELEVATION



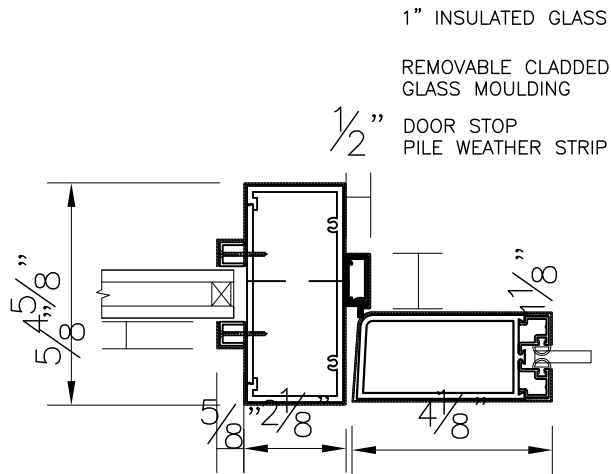
PLAN

Scale: 3" : 1'-0"

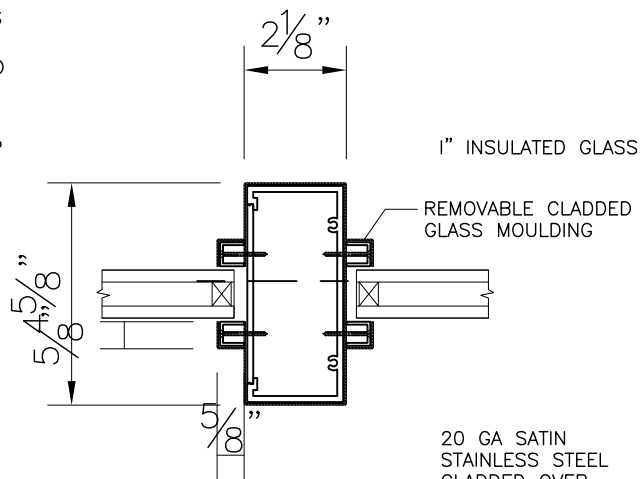
SHEET #	Drawn by:	Customer	Revisions		
	Checked by:		No.	Date	Description
	Date:	Project :			
	Scale:				



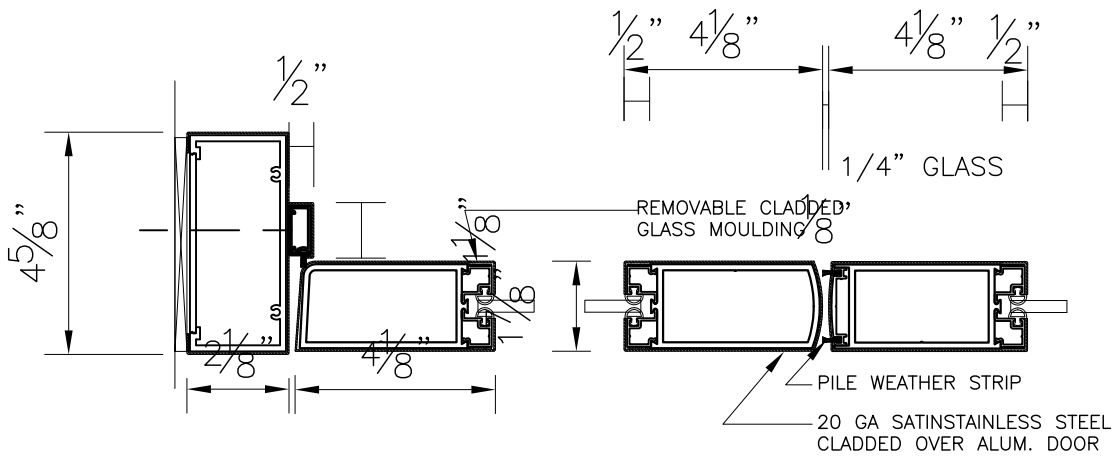
GAMCO CORPORATION
 MANUFACTURERS OF FENESTRATION PRODUCTS
 131-10 MAPLE AVE. FLUSHING, N.Y. 11355
 TEL: (718)359-8833 FAX: (718)359-8661
 info@gamcocorp.com www.gamcocorp.com



8 SIDELITE/STILE



5 MULLION



6 JAMB/STILE

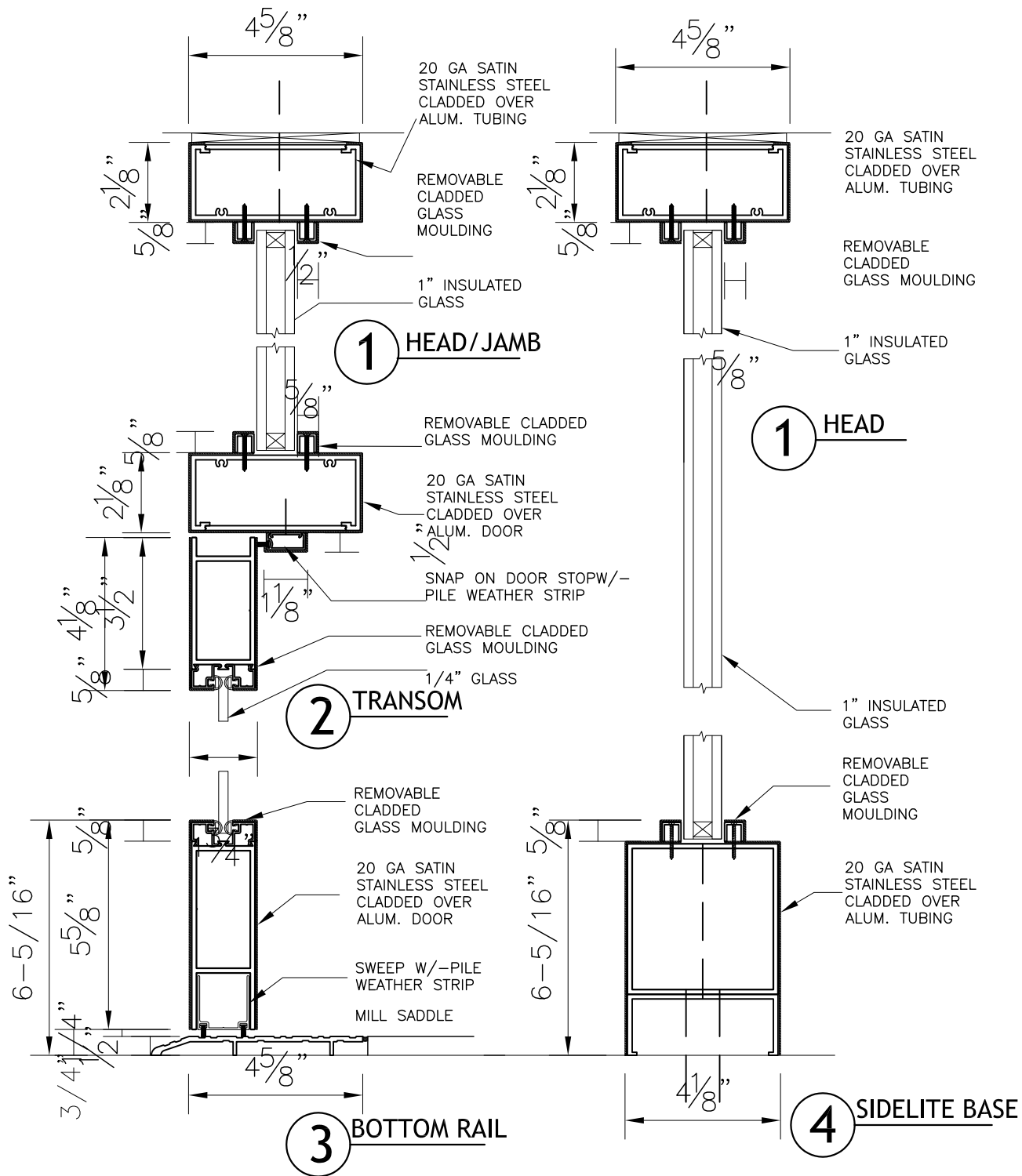
7 MEETING MEMBER

Scale: 3" : 1'-0"

SHEET #	Drawn by:	Customer	Revisions		
	Checked by:		No.	Date	Description
	Date:				
	Scale:				
	Project :				



GAMCO CORPORATION
 MANUFACTURERS OF FENESTRATION PRODUCTS
 131-10 MAPLE AVE. FLUSHING, N.Y. 11355
 TEL: (718)359-8833 FAX: (718)359-8661
 info@gamcocorp.com www.gamcocorp.com



Scale: 3" : 1'-0"

SHEET #	Drawn by:	Customer	Revisions		
	Checked by:		No.	Date	Description
	Date:				
	Scale:				
		Project :			



GAMCO CORPORATION
 MANUFACTURERS OF FENESTRATION PRODUCTS
 131-10 MAPLE AVE. FLUSHING, N.Y. 11355
 TEL: (718)359-8833 FAX: (718)359-8661
 info@gamcocorp.com www.gamcocorp.com