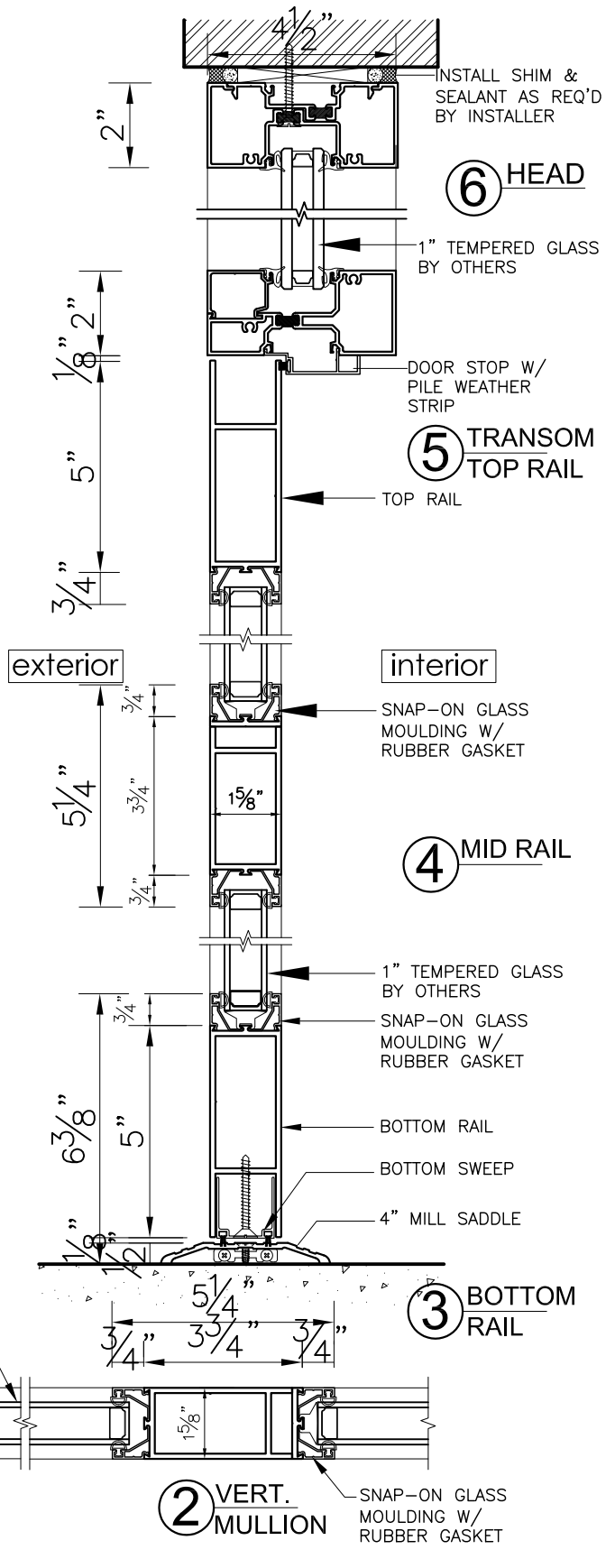


ELEVATION
(VIEW FROM EXTERIOR)



SILICONE SEALANT W/ BACKER ROD BY INSTALLER

INSTALL SHIM AS REQUIRED BY INSTALLER

DOOR STOP W/ PILE WEATHER STRIP

1" TEMPERED GLASS BY OTHERS

ROTON CONT. HINGE

GAMCO CORPORATION
MANUFACTURERS OF FENESTRATION PRODUCTS
131-10 MAPLE AVE. FLUSHING, N.Y. 11355
TEL: (718)359-8833 FAX: (718)359-8661
info@gamcocorp.com www.gamcocorp.com

SHEET #

D-1

Drawn by: K. S. Lee

Checked by: C. CHAN

Date: 03/03/08

Scale: 1/4" : 1"

Customer

Project :

Revisions

No.	Date	Description

