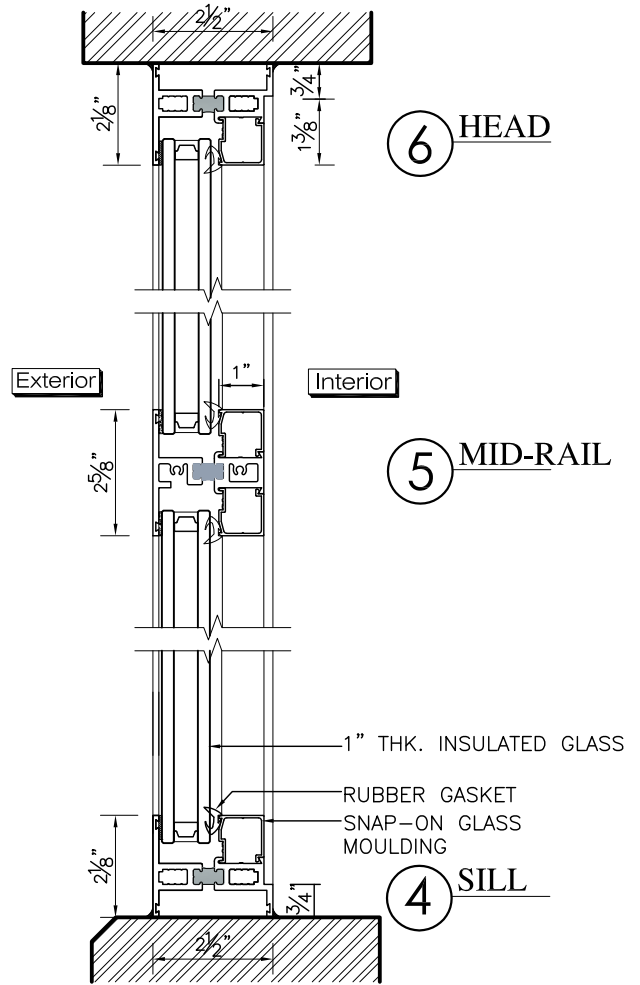
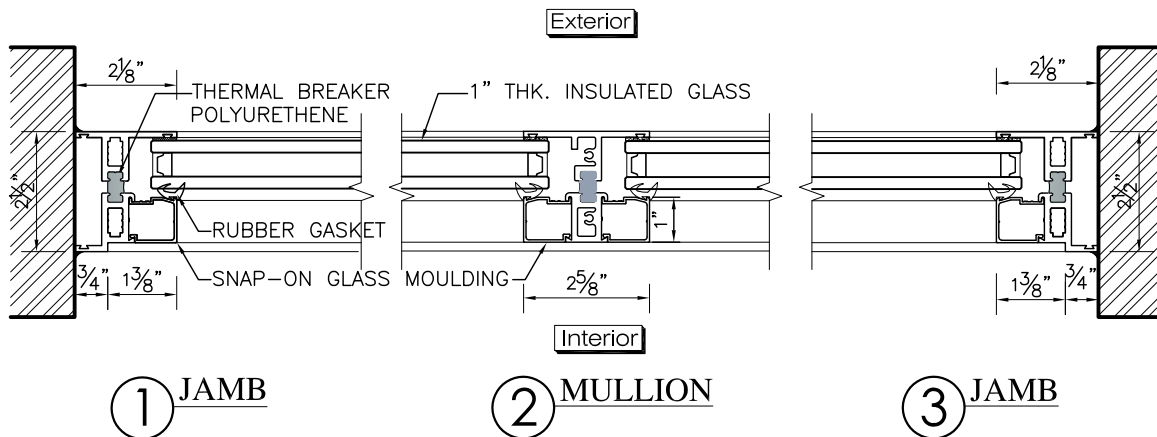


FIXED WINDOW (W250HC)
W/ TRUE MUNTIN



**TYPICAL VERT.
SECTIONAL DETAILS**

SCALE : 3" = 1'-0"



TYPICAL HORIZ. SECTIONAL DETAILS

SCALE : 3" = 1'-0"

SHEET #	Drawn by: K.S. Lee	Customer	Revisions				GAMCO CORPORATION MANUFACTURERS OF FENESTRATION PRODUCTS 131-10 MAPLE AVE. FLUSHING, N.Y. 11355 TEL: (718)359-8833 FAX: (718)359-8661 info@gamcocorp.com www.gamcocorp.com	
	Checked by: C. Chan			No.	Date			Description
	Date:	Project :						
	Scale:							