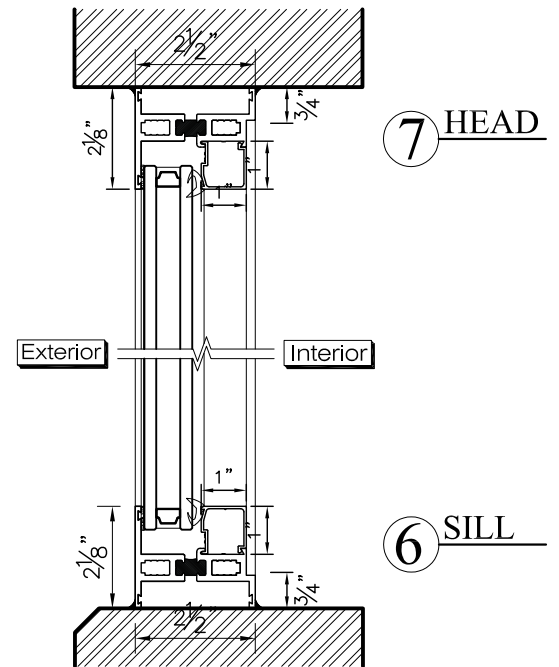
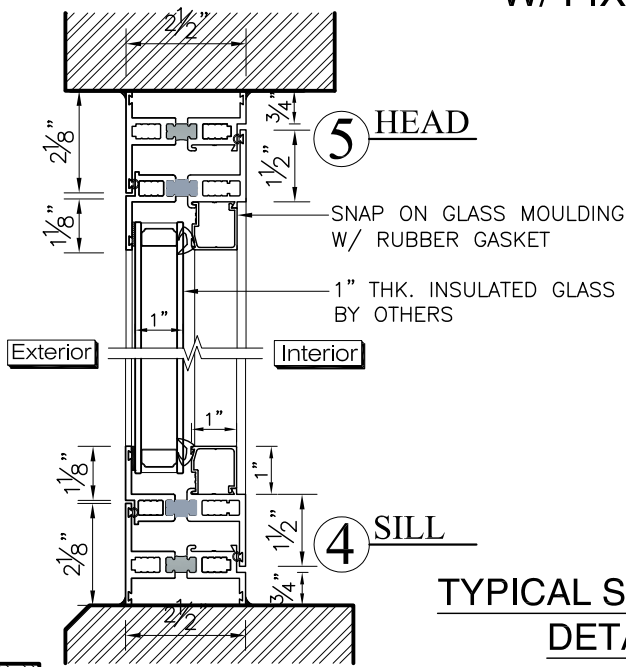
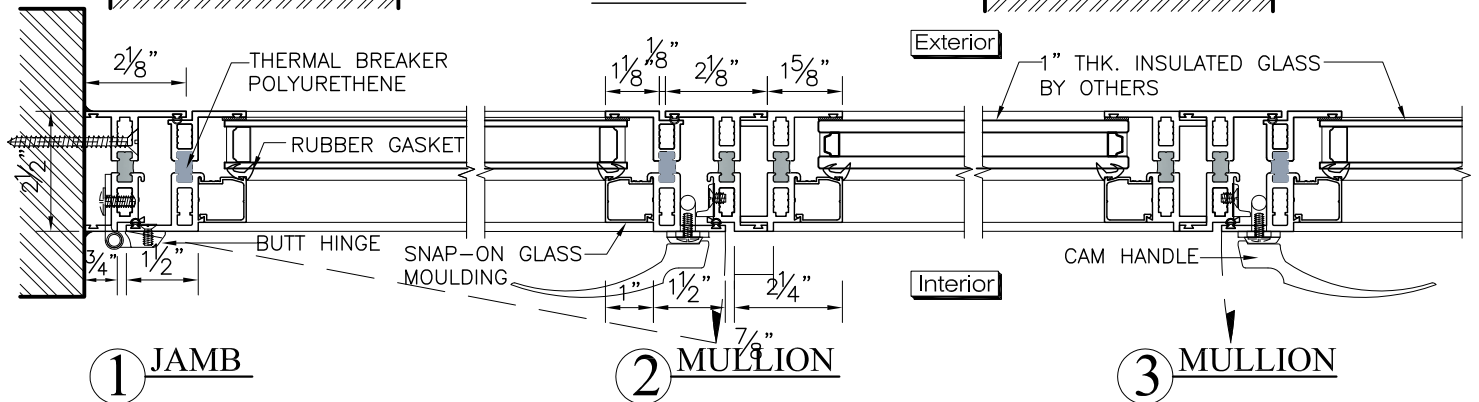


**TYPICAL ELEVATION**  
(VIEW FROM INTERIOR)

**SWING-IN CASEMENT WINDOW (W250HC)  
W/ FIXED LITE**



**TYPICAL SECTIONAL  
DETAILS** SCALE: 3" = 1'-0"



SHEET #	Drawn by: K.S. Lee	Customer	Revisions			
	Checked by: C. Chan		No.	Date	Description	
	Date:					
	Scale:					
		Project :				



**GAMCO CORPORATION**  
MANUFACTURERS OF FENESTRATION PRODUCTS  
131-10 MAPLE AVE. FLUSHING, N.Y. 11355  
TEL: (718)359-8833 FAX: (718)359-8661  
info@gamcocorp.com www.gamcocorp.com